

VGS™5010 MOUNTING-KITS



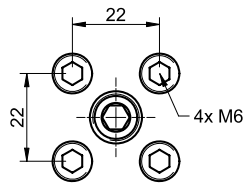
- ▶ Easy attachment to standard extrusion and profile systems
- ▶ Flexible positioning
- ▶ Quick setup and change-over
- ▶ Durable and non-rotating installation

TECHNICAL DATA

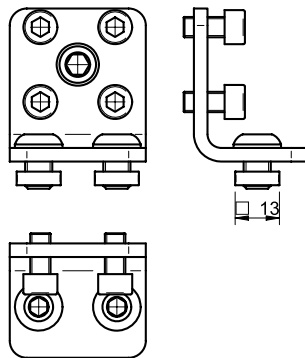
Description	Unit	Value			
		0114162	0114163	0114164	0114152
Material		Al, SS, PA, NBR	Al, SS, Steel, PA, NBR	SS, Steel, PA, NBR	SS, Steel, PA, NBR
Weight	g	34.8	133.1	58.7	154.1

ORDERING INFORMATION

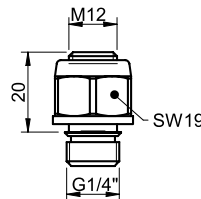
	Description	Art. No.
A	4x M6 top, flush mount	0114162
B	4x M6 top, angle bracket	0114163
C	M12 20 mm top	0114164
D	M12 20 mm top, angle bracket	0114152



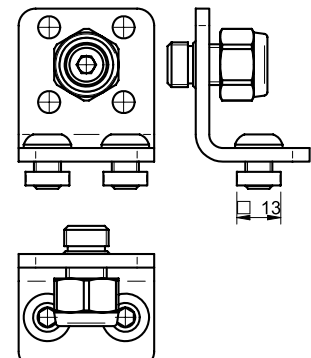
A



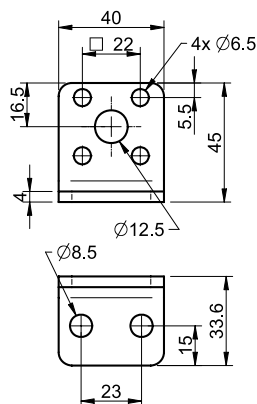
B



C



D



Angle bracket included in B & D