

## VGS™2010 OB20X60P



- ▶ Patented COAX® technology.
- ▶ Suitable for handling small, oblong objects and for level adjustment. Can handle objects with height differences and varying shapes.
- ▶ Lifting movement to separate small and thin objects.
- ▶ Available with a two-stage COAX® cartridge MICRO. Choose an Si cartridge for extra vacuum flow, a Pi cartridge for high performance at low feed pressure or an Xi cartridge when high flow and deep vacuum is needed.

### TECHNICAL DATA

Description	Unit	Value
Feed pressure, max.	MPa	0.7
Noise level	dBA	55–61
Temperature range	°C	10–50
Weight	g	27–38
Material		Al, SS, NBR, PA, PU

### VACUUM FLOW

COAX® Cartridge	Feed pressure MPa	Air consumption NI/s	Vacuum flow (NI/s) at different vacuum levels (-kPa)									Max vacuum -kPa
			0	10	20	30	40	50	60	70	80	
Bi03-2	0.18	0.14	0.23	0.15	0.060	0.040	0.035	0.023	0.013	0.006	—	83
Si02-2	0.60	0.12	0.28	0.21	0.12	0.08	0.07	0.06	0.04	0.02	—	75
Xi2.5-2	0.50	0.13	0.24	0.17	0.10	0.06	0.04	0.03	0.02	0.01	0.010	92

For vacuum flows at other feed pressures, see COAX® Cartridge data sheets.

### EVACUATION TIME

COAX® Cartridge	Feed pressure MPa	Air consumption NI/s	Evacuation time (s/l) to reach different vacuum levels (-kPa)									Max vacuum -kPa
			10	20	30	40	50	60	70	80		
Bi03-2	0.18	0.14	0.50	1.4	3.9	6.4	10.0	16.0	28.0	51.0	83	
Si02-2	0.60	0.12	0.41	1.01	2.01	3.30	4.90	6.90	10.2	—	75	
Xi2.5-2	0.50	0.13	0.49	1.23	2.48	4.50	7.30	11.3	18.0	28.0	92	

For evacuation times at other feed pressures, see COAX® Cartridge data sheets.

### LIFTING FORCES & TECHNICAL DATA OB20X60P

Material	Lifting force vertical to the surface, N, at vacuum level			Lifting force parallel to the surface, N, at vacuum level			Volume cm³	Min. curve radius mm	Max. vertical movement mm	Weight with fitting g
	20 -kPa	60 -kPa	90 -kPa	20 -kPa	60 -kPa	90 -kPa				
PU60°	13.0	34	57	13.0	37	48	24.0	7.0	4.5	11.0

## ORDERING INFORMATION

1. COAX® cartridge		VGS Code
No COAX® cartridge (slave unit)		AA
COAX® cartridge MICRO Bi03-2		AB
COAX® cartridge MICRO Si02-2		AF
COAX® cartridge MICRO Xi2.5-2		AJ

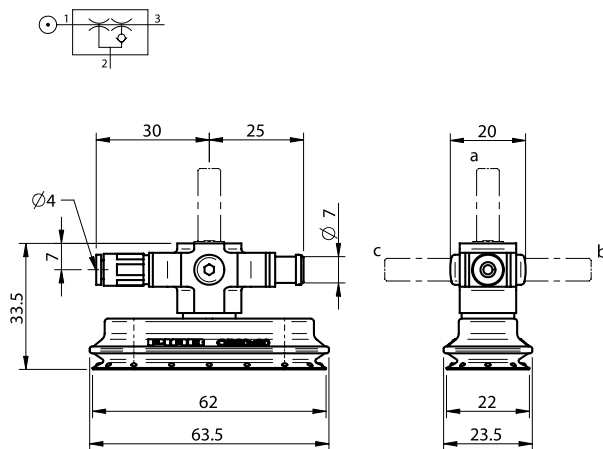
2. Mounting / orientation		VGS code
4x M3 top, flush mount		00
a	M6 19 mm top, profile kit	01
b	M6 19 mm right, profile kit	02
c	M6 19 mm left, profile kit	03

3. Suction cup with fitting		VGS code
No suction cup		BA
OB20x60P 60° Shore A		DE

Example	Ordering number
<b>VGS™2010 OB20x60P</b> – Bi03-2, M6 19 mm top, profile kit, OB20x60P 60° Shore A	VGS2010 AB 01 DE



Vacuum grippers  
VGS™2010