

SILENCERS



- ▶ Reduce noise from exhaust
- ▶ Flow-through design

TECHNICAL DATA

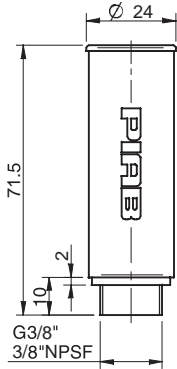
Description	Unit	Value		
				0117605
Noise level reduction, approximately	dB(A)	-10		-10
Temperature range	°C	-20–100		-20–100
Material		PA, HDPE		Al, POM, HDPE, SS

TECHNICAL DATA, SPECIFIC

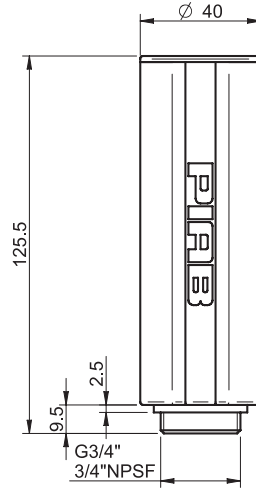
Description	Unit	Value				
		3216009	3216002	0112499/0113003	0103224	0117782
Weight	g	14	61	95.1	425	893

ORDERING INFORMATION

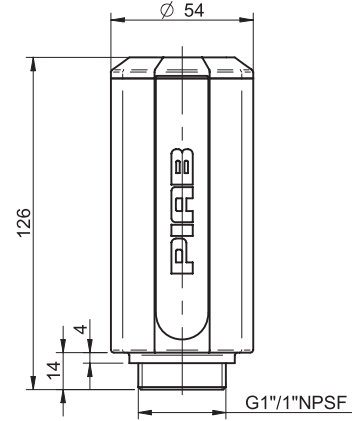
	Description	Art. No.
A	Silencer G3/8"	3216009
B	Silencer G3/4"	3216002
C	Silencer G1"	0112499
D	Silencer 1" NPSF	0113003
E	Silencer G1½"	0103224
E	Silencer G2½"	0117782



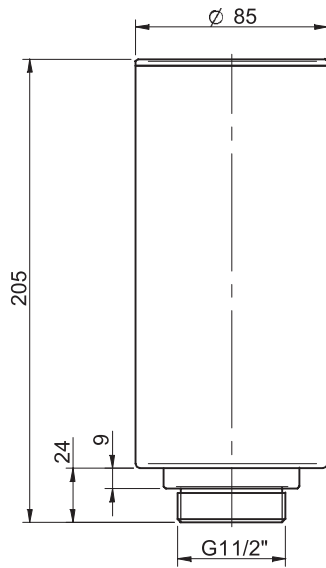
A



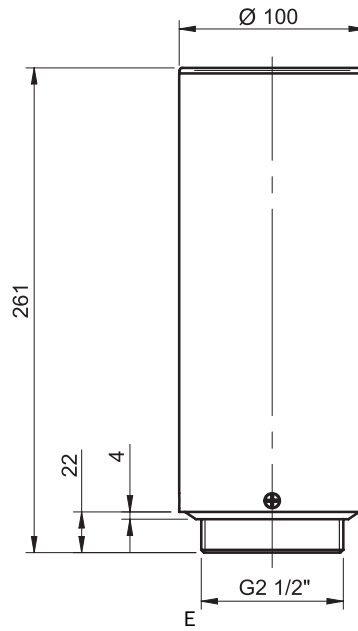
B



C



D



E

Accessories