

## ROUND PUMP



- ▶ Energy efficient due to the COAX® technology
- ▶ High vacuum flow with 6x COAX® Si MIDI cartridges
- ▶ Small, compact and light in weight
- ▶ Easy to mount and install in a vacuum line
- ▶ Integrated hose connectors

### TECHNICAL DATA

| Description         | Unit | Value                    |
|---------------------|------|--------------------------|
| Feed pressure, max. | MPa  | 0.7                      |
| Noise level         | dBa  | 70–82                    |
| Material            |      | PPS, PA, NBR, Viton®, SS |
| Temperature range   | °C   | -10–80                   |
| Weight              | g    | 1130                     |

### VACUUM FLOW

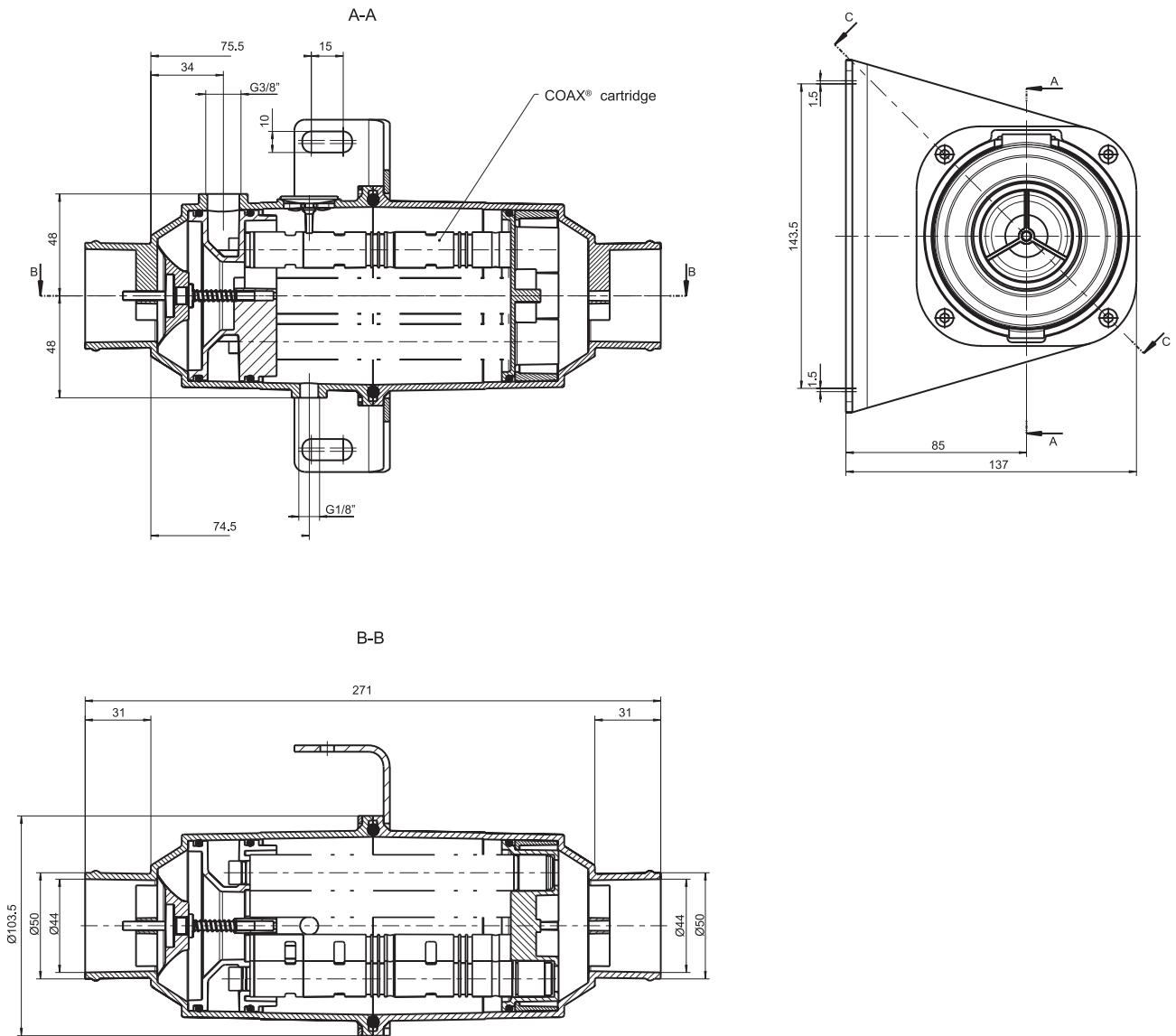
| Feed pressure<br>MPa | Air consumption<br>NI/s | Vacuum flow (NI/s) at different vacuum levels (-kPa) |      |      |      |     |      |     |      | Max vacuum<br>-kPa |
|----------------------|-------------------------|--|------|------|------|-----|------|-----|------|--------------------|
|                      |                         | 0  | 10   | 20   | 30   | 40  | 50   | 60  | 70   |                    |
| 0.40                 | 7.5                     | 30.0   | 17.4 | 11.4 | 7.2  | 4.8 | 2.4  | 0.6 | —    | 60                 |
| 0.50                 | 9.0                     | 34.2   | 19.8 | 13.2 | 8.4  | 5.1 | 3.72 | 2.1 | 1.08 | 70                 |
| 0.60                 | 10.5                    | 36.0   | 21.0 | 15.6 | 10.2 | 5.4 | 3.6  | 3.0 | 2.1  | 75                 |

### EVACUATION TIME

| Feed pressure<br>MPa | Air consumption<br>NI/s | Evacuation time (s/l) to reach different vacuum levels (-kPa) |       |       |       |       |       |       | Max vacuum<br>-kPa |
|----------------------|-------------------------|---|-------|-------|-------|-------|-------|-------|--------------------|
|                      |                         | 10  | 20    | 30    | 40    | 50    | 60    | 70    |                    |
| 0.40                 | 7.5                     | 0.005   | 0.012 | 0.023 | 0.040 | 0.070 | 0.167 | —     | 60                 |
| 0.50                 | 9.0                     | 0.003   | 0.010 | 0.018 | 0.035 | 0.058 | 0.100 | 0.167 | 70                 |
| 0.60                 | 10.5                    | 0.003   | 0.008 | 0.017 | 0.030 | 0.055 | 0.088 | 0.133 | 75                 |

## ORDERING INFORMATION

| Description               | Art. No. |
|---------------------------|----------|
| Round pump COAX® 6xSi32-3 | 0121632  |



Vacuum pumps