

## P6010 CLASSIC



- ▶ Patented COAX® technology
- ▶ Connections can be made on the long side of the ejector
- ▶ Retro-compatible with PIAB's Classic model in regard to mounting

Supplied with a vacuum gauge.

### TECHNICAL DATA

Description	Unit	Value
Feed pressure, max	MPa	0.7
Noise level*	dB(A)	50-67
Temperature range	°C	-10-80
Weight	g	1700-1800
Material		Al, PA, NBR, SS, TPE

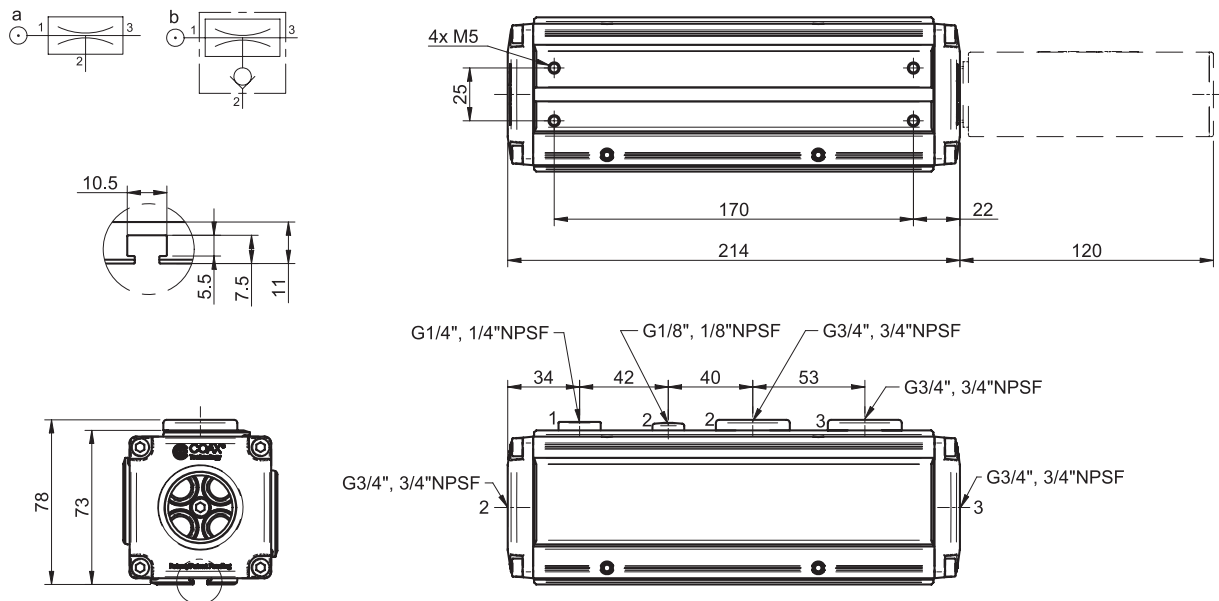
\*At vacuum level 40 -kPa and feed pressure 0.3-0.6 MPa.

### PERFORMANCE TABLES

Depending upon choice of COAX® Cartridge, performance data of the P6010 Classic can be found in the tables for vacuum flow, evacuation time and blow flow for models P6010 Pi, Si and Xi.

## ORDERING INFORMATION

1. Housing		P6010 Code
Housing		P6010
2. COAX® cartridge modules		P6010 code
	COAX® cartridge module blind x4	AA
a	COAX® cartridge module Pi48-3X1	AJ
a	COAX® cartridge module Pi48-3X2	AK
a	COAX® cartridge module Pi48-3X3	AL
a	COAX® cartridge module Pi48-3X4	AM
b	COAX® cartridge module Pi48-3X1, non-return valve	AN
b	COAX® cartridge module Pi48-3X2, non-return valve	AO
b	COAX® cartridge module Pi48-3X3, non-return valve	AP
b	COAX® cartridge module Pi48-3X4, non-return valve	AQ
a	COAX® cartridge module Si32-3X1	AB
a	COAX® cartridge module Si32-3X2	AC
a	COAX® cartridge module Si32-3X3	AD
a	COAX® cartridge module Si32-3X4	AE
b	COAX® cartridge module Si32-3X1, non-return valve	AF
b	COAX® cartridge module Si32-3X2, non-return valve	AG
b	COAX® cartridge module Si32-3X3, non-return valve	AH
b	COAX® cartridge module Si32-3X4, non-return valve	AI
a	COAX® cartridge module Xi40-3X1	AR
a	COAX® cartridge module Xi40-3X2	AS
a	COAX® cartridge module Xi40-3X3	AT
a	COAX® cartridge module Xi40-3X4	AU
b	COAX® cartridge module Xi40-3X1, non-return valve	AV
b	COAX® cartridge module Xi40-3X2, non-return valve	AW
b	COAX® cartridge module Xi40-3X3, non-return valve	AX
b	COAX® cartridge module Xi40-3X4, non-return valve	AY
3. Mounting		P6010 Code
Mounting T-slot, Cover plate with PIAB label		O1
4. Cover plates		P6010 Code
Cover plate Classic G thread connections, cover plate plain		LI
Cover plate Classic NPSF thread connections, cover plate plain		LK
5. Connections for vacuum and exhaust		P6010 Code
Connections 2x G3/4"		53
Connections 2x G3/4", silencer 3/4"		54
Connections 2x 3/4" NPSF		57
Connections 2x 3/4" NPSF, silencer 3/4"		58
Example		Ordering number
P6010 Pi48-3X4, Mounting T-slot, Cover plate Classic G-threads, Connections 2x G3/4" and silencer 3/4"		P6010 AM O1 LI 54



## ORDERING INFORMATION, ACCESSORIES

Description	Art. No.
Manometer 250 kPa	0112533

# VACUUM PUMPS P6010



---

Description	Art. No.
Manometer 1 MPa	0112532
Silencer G3/4"	3216002