

P5010 AVM™2



- ▶ P5010 multistage ejector with Pi, Si or Xi COAX® push-in cartridge(s).
- ▶ AVM™2, Automatic Vacuum Management, unit with built-in control and monitoring functions.
- ▶ Valves for vacuum on/off and blow-off.
- ▶ Special safety feature for the version with normally closed on/off valve. It changes to an open valve if power is lost (E-stop).
- ▶ Enhanced blow-off effect thanks to a directed blow-off pipe.
- ▶ Analogue vacuum sensor with two digital outputs, 16 pre-set combinations of signal levels to choose from.
- ▶ Digital display with “-kPa” or “-inHg” as unit options.
- ▶ Integrated energy saving function (ES) that minimizes the air consumption in sealed systems. The ES function can be activated manually or via a signal (signal override).
- ▶ Three-colour LED status indicators for valves, signal outputs and ES.

TECHNICAL DATA

Description	Unit	Value
Feed pressure, max.	MPa	0.7
Noise level *)	dBA	68–71
Temperature range	°C	0–50
Weight	g	430–720
Signal range, adjustable	-kPa	20–80
Hysteresis	kPa	7±1
Material		AL,CuZn, NBR, PA, SS, PE, PMMA
Voltage	VDC	24 (22–28)
Ripple, max.	V _p	1V _{rms}
Current consumption, nominal	mA	110
Safety classification		IP65 [NEMA 4]
Current, max. output load		100
Display		LED indicators, numeric
Flow, blow-off	NI/s	0–7.5

*) At vacuum level 40 -kPa and at recommended feed pressure for respective push-in cartridge.

ORDERING INFORMATION

1. Select Housing		P5010 code
Housing, connection Ø 10 mm		00
Housing, connection Ø 3/8"		01

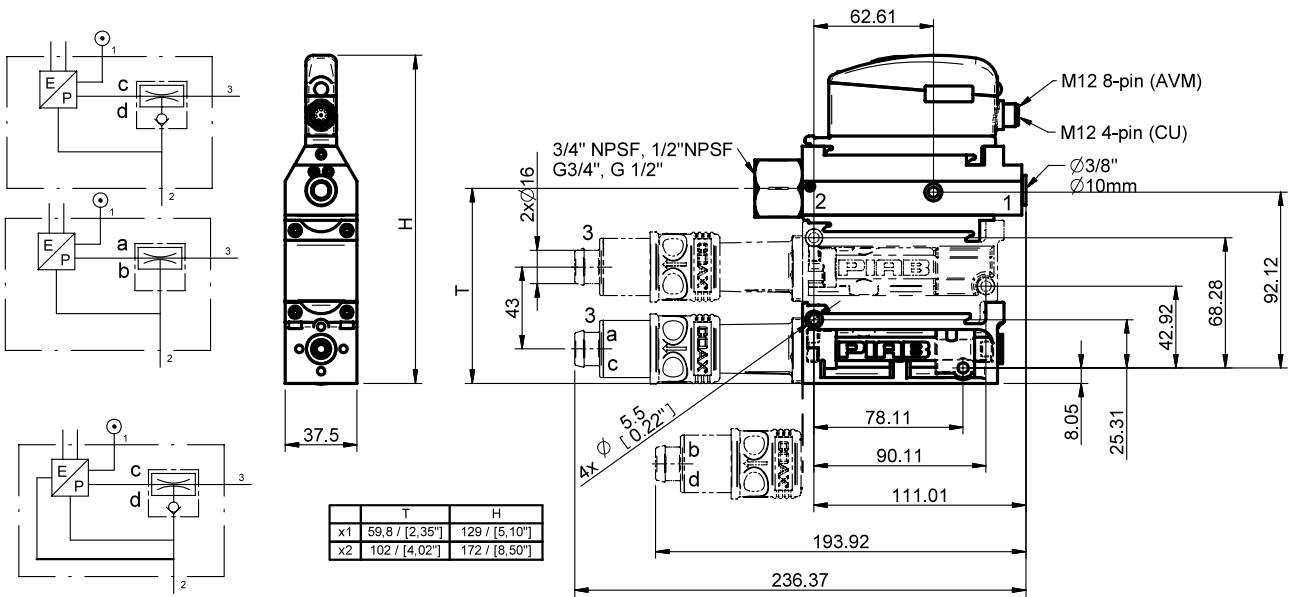
2. COAX® push-in modules		P5010 Code
d	COAX® push-in module Pi48-2X1, non-return valve	AK
c	COAX® push-in module Pi48-3X1, non-return valve	AL
d	COAX® push-in module Pi48-2X2, non-return valve	AO
c	COAX® push-in module Pi48-3X2, non-return valve	AP
d	COAX® push-in module Si32-2X1, non-return valve	AC
c	COAX® push-in module Si32-3X1, non-return valve	AD
d	COAX® push-in module Si32-2X2, non-return valve	AG
c	COAX® push-in module Si32-3X2, non-return valve	AH

2. COAX® push-in modules		P5010 Code
d	COAX® push-in module Xi40-2X1, non-return valve	AS
c	COAX® push-in module Xi40-3X1, non-return valve	AT
d	COAX® push-in module Xi40-2X2, non-return valve	AW
c	COAX® push-in module Xi40-3X2, non-return valve	AX

3. Functions		P5010 Code
Function AVM™2 NO, G threads		05
Function AVM™2 NC, G threads		06
Function AVM™2 NO, NPSF threads		07
Function AVM™2 NC, NPSF threads		08

*) Open if electric power disrupted.

Example	Ordering number
Housing, connection Ø 10 mm Pi48-2X1, Function AVM™2, NO, G-threads	P5010 00 AK 05



ORDERING INFORMATION, ACCESSORIES

Description	Art. No.
Cable M12 8-pin female, PUR, L=2m	0110238
Cable M12 8-pin female, PUR, L=5m	0117746
Y-cable M12 8-pin female, 2xM12 4-pin male, PNP, PUR, L=2m	0118407

Vacuum pumps
P5010