

IC3301



- ▶ COAX® patented technology
- ▶ Compact design
- ▶ Easy to install
- ▶ Antistatic filter and sealings

TECHNICAL DATA

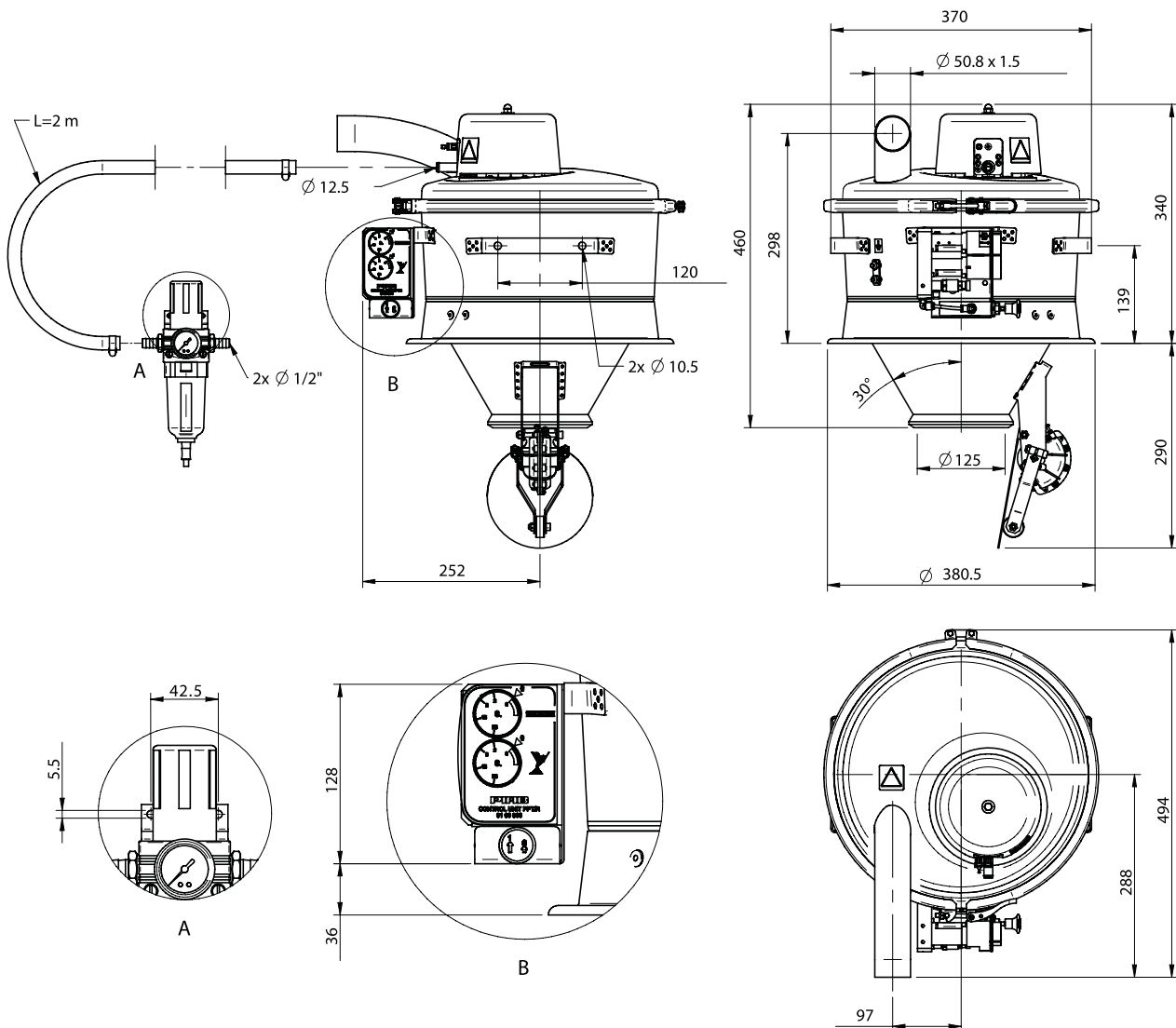
Description	Unit	Value
Feed pressure	MPa	0.4–0.6
Air consumption	NI/s	5–7
Vacuum	-kPa	60–75
Noise level	dBA	72–76
Material		Fe, Zn, NBR, PA, Al
Temperature range	°C	0–50
Weight	kg	11.2
Filter area	m ²	0.06
Batch volume	l	5.5
Pipe dimension	mm	51

CAPACITY

Capacity ton/h at different conveying distances			
5 m	10 m	20 m	30 m
1.0	0.7	0.5	0.3

ORDERING INFORMATION

Description	Art. No.
Conveyor IC3301	0111537



Conveyors IC IC33

ORDERING INFORMATION, ACCESSORIES

Description	Art. No.
Container module cpl, short	0111563
Container module cpl, tall	0111562