

F150



FLAT SUCTION CUP WITH CLEATS

- ▶ Suitable for flat objects.
- ▶ Good stability and little inherent movement.
- ▶ Recommended when the lifting force is parallel to the surface of the object.
- ▶ Cleats prevent thin, sensitive objects from being deformed and gives extra friction when the lifting force is parallel.

LIFTING FORCES & TECHNICAL DATA

Lifting force vertical to the surface, N, at vacuum level			Lifting force parallel to the surface, N, at vacuum level			Volume cm ³	Min. curve radius mm	Max. vertical movement mm	Weight rubber part g
20 -kPa	60 -kPa	90 -kPa	20 -kPa	60 -kPa	90 -kPa				
300	850	1100	250	600	800	160	500	6.0	200

MATERIAL SPECIFICATIONS

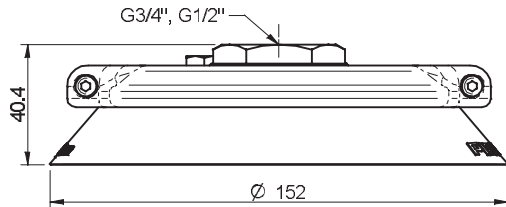
Material	Colour	Hardness °Shore A	Temperature range °C
Nitrile-PVC, NPV	Black	50	0-90
Silicone, SIL	Red	50	-40-200

MATERIAL RESISTANCE

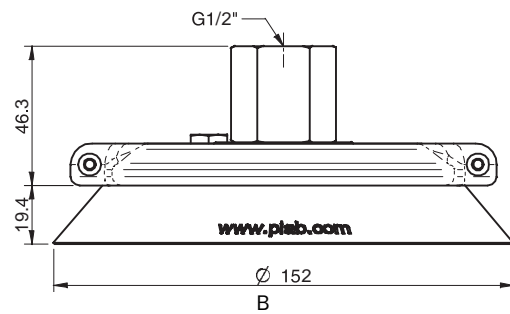
Material	Wear resistance	Oil	Weather & Ozone	Hydrolysis	Petrol	Concentrated acids	Alcohol	Oxidation
Nitrile-PVC, NPV	Excellent	Excellent	Good	Good	Excellent	Fair	Good	Good
Silicone, SIL	Good	Poor	Excellent	Fair	Poor	Poor	Good	Excellent

ORDERING INFORMATION

	Complete suction cups	Art. No.
A	Suction cup F150 Nitrile-PVC, G3/4" female, with mesh filter	0101939
A	Suction cup F150 Nitrile-PVC, G1/2" female, with mesh filter	0101938
B	Suction cup F150 Nitrile-PVC, G1/2" female, with cone valve	0101941
A	Suction cup F150 Silicone, G3/4" female, with mesh filter	0101935
A	Suction cup F150 Silicone, G1/2" female, with mesh filter	0101934
B	Suction cup F150 Silicone, G1/2" female, with cone valve	0101937

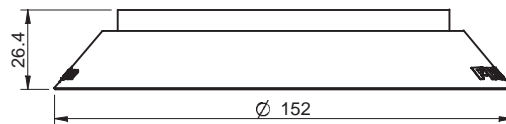


A



B

	Rubber parts	Art. No.
	Suction cup F150 Nitrile-PVC	3150133P
	Suction cup F150 Silicone	3150133S



	Fittings	Art. No.
	Fitting 150, G1/2" female, with mesh filter	0100564
	Fitting 150, G3/4" female, with mesh filter	0100567
	Fitting 150, G1/2" female, with cone valve	0100566

For further information and dimensioned drawings, see *SUCTION CUPS FITTINGS* chapter.

Spare part	Material	Temperature range °C	Art. No.
Cone valve for Fitting 110 & 150	Al/SS/NBR	-40-110	3350034