

L150



- ▶ Large vacuum flow
- ▶ Compact size and light weight compared to conventional mechanical pumps
- ▶ Short evacuation time
- ▶ Good for handling porous materials or if leakage is present

Supplied with vacuum gauge and manometer.

TECHNICAL DATA

| Description | Unit | Value |
|----------------------------|-------|------------------|
| Feed pressure, max. | MPa | 0.7 |
| Noise level, with silencer | dB(A) | 64-78 |
| Temperature range | °C | -20-80 |
| Weight | g | 4100-4600 |
| Material | | Al, PPS, NBR, SS |

VACUUM FLOW

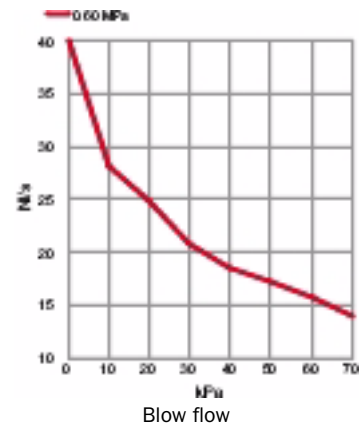
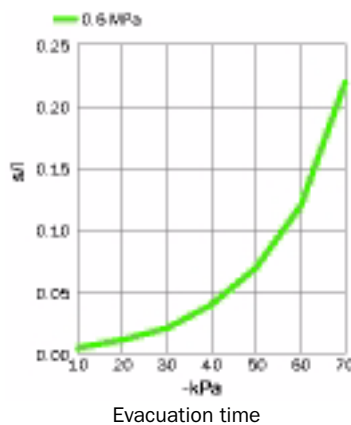
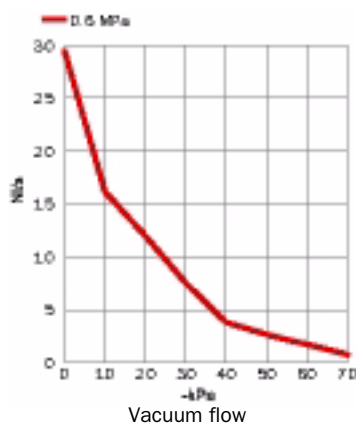
| Feed pressure MPa | Air consumption NI/s | Vacuum flow (NI/s) at different vacuum levels (-kPa) | | | | | | | | | Max vacuum -kPa | |
|----------------------|-------------------------|--|------|------|-----|-----|-----|-----|------|----|--------------------|----|
| | | 0 | 10 | 20 | 30 | 40 | 50 | 60 | 70 | 80 | | 90 |
| 0.60 | 10.5 | 29 | 16.2 | 12.0 | 7.5 | 3.8 | 2.7 | 1.7 | 0.76 | 80 | 90 | 75 |

EVACUATION TIME

| Feed pressure MPa | Air consumption NI/s | Evacuation time (s/l) to reach different vacuum levels (-kPa) | | | | | | | | | Max vacuum -kPa |
|----------------------|-------------------------|---|-------|-------|-------|-------|------|------|----|----|--------------------|
| | | 10 | 20 | 30 | 40 | 50 | 60 | 70 | 80 | 90 | |
| 0.60 | 10.5 | 0.005 | 0.012 | 0.021 | 0.040 | 0.070 | 0.12 | 0.22 | | | 75 |

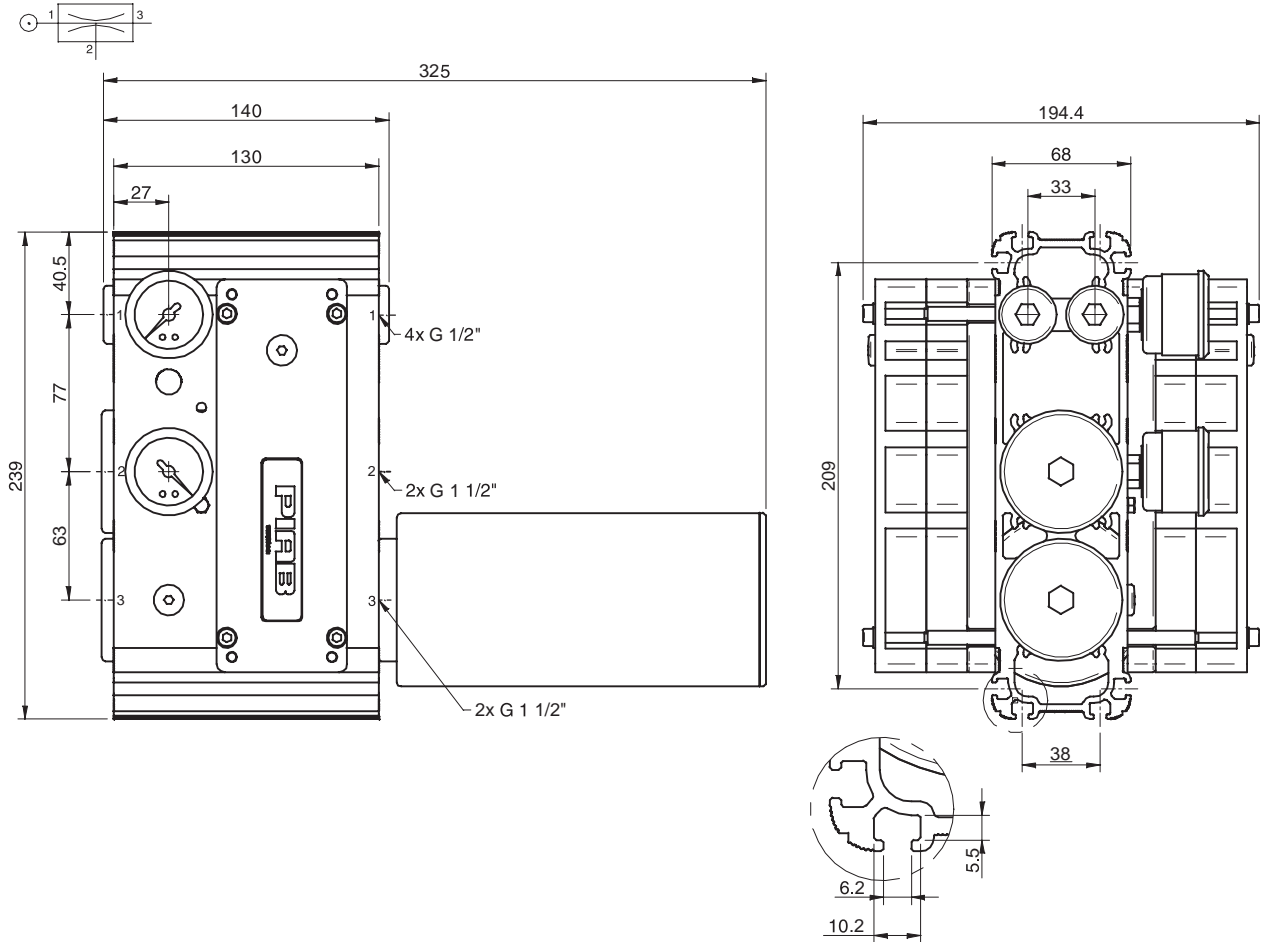
BLOW FLOW

| Feed pressure MPa | Air consumption NI/s | Blow flow (NI/s) at different pressure levels (kPa) | | | | | | | | | Max pressure kPa |
|----------------------|-------------------------|---|------|------|------|------|------|------|------|----|---------------------|
| | | 0 | 10 | 20 | 30 | 40 | 50 | 60 | 70 | | |
| 0.60 | 10.5 | 40.0 | 28.0 | 24.7 | 20.7 | 18.4 | 17.3 | 15.8 | 13.9 | 70 | |



ORDERING INFORMATION

| Description | Art. No. |
|--|----------|
| Vacuum pump CLASSIC MP L150, conn. V, NBR sealings | 0103622 |
| Vacuum pump CLASSIC MP L150, conn. V, NBR sealings, complete with mounting brackets and silencer | 0104138 |



Vacuum pumps
CLASSIC MP

ORDERING INFORMATION, ACCESSORIES

| Description | Art. No. |
|-----------------------------|----------|
| Sealing kit CLASSIC MP, NBR | 0104634 |

For CLASSIC MP 150-240 1x 0104634, for CLASSIC MP 300-480 2x 0104634. The sealing kit includes flap valves, gaskets, compressed-air filters and O-rings.