

## M50L



- ▶ Medium vacuum levels to 90 -kPa
- ▶ Operates at only 0.34 MPa
- ▶ Good for handling porous materials or if leakage is present
- ▶ Energy-Saving (ES) available
- ▶ Available with connection plate in aluminium (AD) and composite PPS (D).

Supplied with a push-in connector for compressed air, through-flow silencer and mounting brackets (see Accessories).

### TECHNICAL DATA

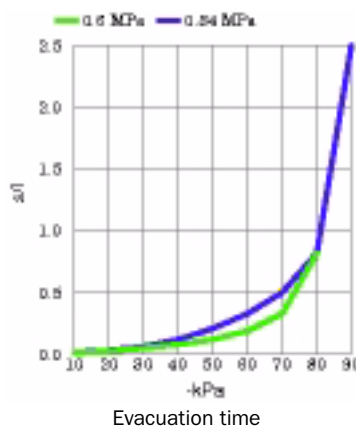
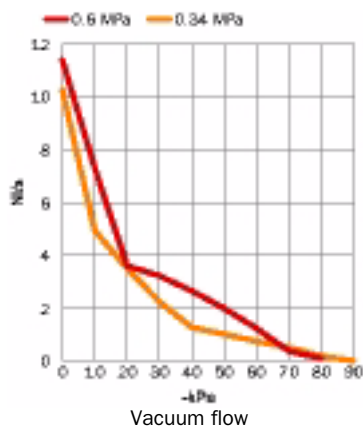
Description	Unit	Value
Feed pressure, max.	MPa	0.7
Noise level	dBA	60–65
Temperature range	°C	-20–80
Weight	g	575–760
Material		Al, PPS, SS, PA, NBR

### VACUUM FLOW

Feed pressure MPa	Air consumption NI/s	Vacuum flow (NI/s) at different vacuum levels (-kPa)											Max vacuum -kPa
		0	10	20	30	40	50	60	70	80	90		
0.60	6.0	11.4	7.3	3.6	3.2	2.7	2.0	1.24	0.38	0.10	<FONT face="Symbol" />	89	
0.34	3.7	10.3	4.9	3.5	2.2	1.3	1.0	0.80	0.50	0.19	0.010	91	

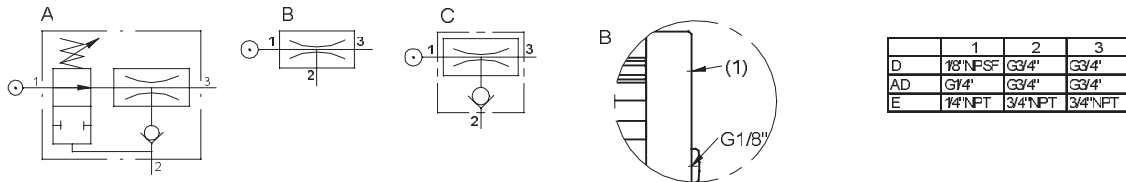
### EVACUATION TIME

Feed pressure MPa	Air consumption NI/s	Evacuation time (s/l) to reach different vacuum levels (-kPa)										Max vacuum -kPa
		10	20	30	40	50	60	70	80	90		
0.60	6.0	0.011	0.026	0.051	0.080	0.12	0.19	0.33	0.82		89	
0.34	3.7	0.014	0.033	0.062	0.12	0.21	0.33	0.50	0.82	2.5	91	

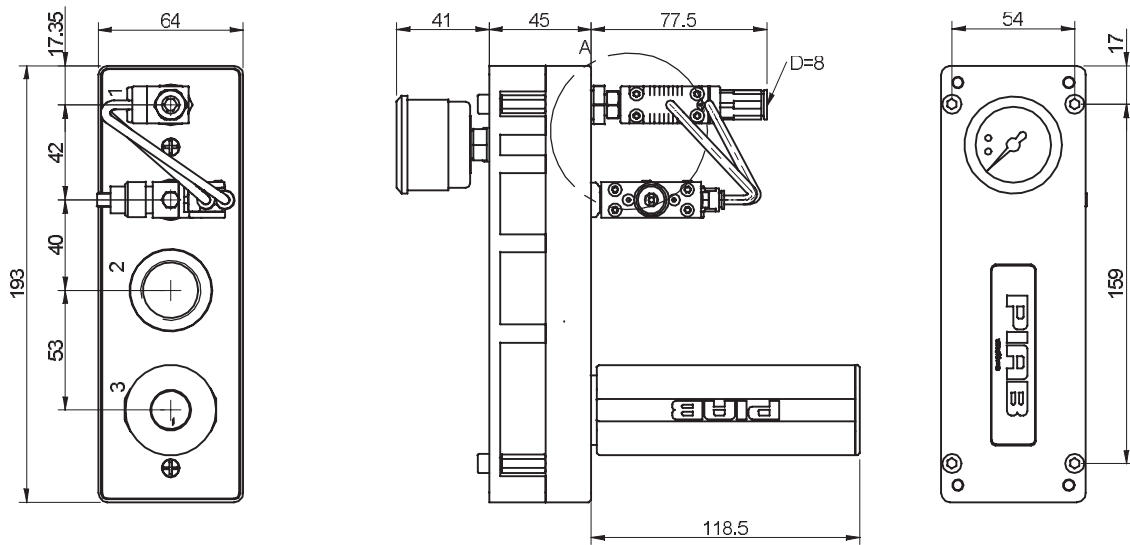


## ORDERING INFORMATION

Description	Art. No.
A Vacuum pump CLASSIC M50L, conn. AD, NBR sealings, ES	0103092
B Vacuum pump CLASSIC M50L, conn. AD, NBR sealings	0102135
B Vacuum pump CLASSIC M50L, conn. D, NBR sealings	0102033
B Vacuum pump CLASSIC M50L, conn. D, Viton® sealings	0102240
C Vacuum pump CLASSIC M50L, conn. AD, NBR sealings, non-return valve	0102136



	1	2	3
D	1/8" NPSF	G3/4"	G3/4"
AD	G1/4"	G3/4"	G3/4"
E	1/4" NPT	3/4" NPT	3/4" NPT



## ORDERING INFORMATION, ACCESSORIES

Description	Art. No.
Sealing kit CLASSIC, NBR	3201069
Sealing kit CLASSIC, Viton®	3201069V
Sealing kit CLASSIC, EPDM	3201069E
ES-kit CLASSIC, G1/8"-G1/4"	0103109

Sealing kits include flap valves, gaskets and compressed-air filters.

Vacuum pumps  
CLASSIC