

## BL30-2



### SUCTION CUP WITH LONG BELLOWS

- ▶ Suitable for level adjustment.
- ▶ Lifting movement to separate small and thin objects.
- ▶ Less suitable when the lifting force is parallel to the surface of the object.

### LIFTING FORCES & TECHNICAL DATA

Lifting force vertical to the surface, N, at vacuum level			Lifting force parallel to the surface, N, at vacuum level			Volume	Min. curve radius	Max. vertical movement	Weight rubber part
20 -kPa	60 -kPa	90 -kPa	20 -kPa	60 -kPa	90 -kPa	cm <sup>3</sup>	mm	mm	g
0.64/6.4*	1.6/16.0*	—	—	—	—	10	8	20	7

\*Lifting force with reinforcement rings.

### MATERIAL SPECIFICATIONS

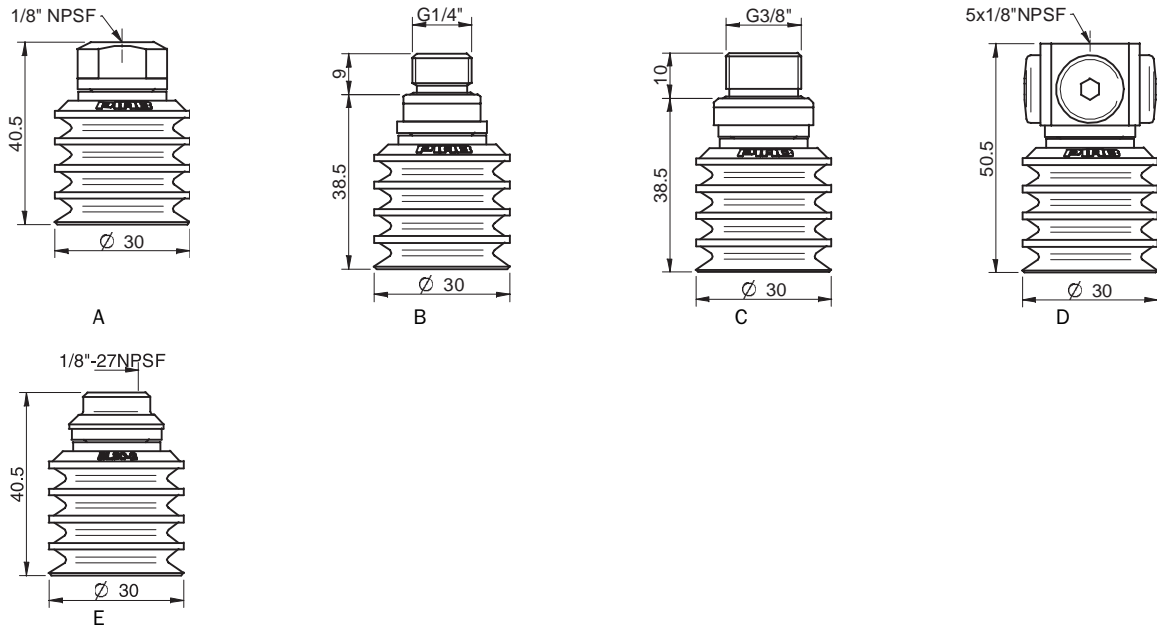
Material	Colour	Hardness °Shore A	Temperature range °C
Chloroprene, CR	Black	60	-40-110
Silicone, SIL	Red	50	-40-200

### MATERIAL RESISTANCE

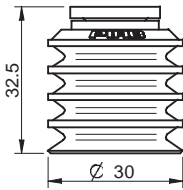
Material	Wear resistance	Oil	Weather & ozone	Hydrolysis	Petrol	Concentrated acids	Alcohol	Oxidation
Chloroprene, CR	Excellent	Fair	Good	Good	Fair	Poor	Good	Good
Silicone, SIL	Good	Poor	Excellent	Fair	Poor	Poor	Good	Excellent

### ORDERING INFORMATION

	Complete suction cups	Art. No.
A	Suction cup BL30-2 Chloroprene, 1/8" NPSF female, with mesh filter	0101501
A	Suction cup BL30-2 Chloroprene, 1/8" NPSF female, with dual flow control valve	0101502
B	Suction cup BL30-2 Chloroprene, G1/4" male, with mesh filter	0101496
B	Suction cup BL30-2 Chloroprene, G1/4" male, with mesh filter and dual flow control valve	0101503
C	Suction cup BL30-2 Chloroprene, G3/8" male, with mesh filter	0101498
A	Suction cup BL30-2 Silicone, 1/8" NPSF female, with mesh filter	0101514
A	Suction cup BL30-2 Silicone, 1/8" NPSF female, with dual flow control valve	0101515
B	Suction cup BL30-2 Silicone, G1/4" male, with mesh filter	0101509
B	Suction cup BL30-2 Silicone, G1/4" male, with mesh filter and dual flow control valve	0101516
C	Suction cup BL30-2 Silicone, G3/8" male, with mesh filter	0101511
D	Suction cup BL30-2 Silicone, 5x1/8" NPSF female	0101513
E	Suction cup BL30-2 Chloroprene, 1/8" NPSF female, PA	0110951
E	Suction cup BL30-2 Silicone, 1/8" NPSF female, PA	0110340



Rubber parts	Art. No.
Suction cup BL30-2 Chloroprene	0101117
Suction cup BL30-2 Silicone	0101118



Fittings	Art. No.
Fitting 1/8" NPSF female, 30–40, with mesh filter	0101153
Fitting 1/8" NPSF female, 30–40, with dual flow control valve	3251006
Fitting G1/4" male, 30–40, with mesh filter	3250091
Fitting G1/4" male, 30–40, with mesh filter and dual flow control valve	3251007
Fitting G3/8" male, 30–40, with mesh filter	3250086
Fitting G3/8" male, 30–40, with mesh and dual flow control valve	3251009
Fitting 5x1/8" NPSF female, 30–40	0100261
Fitting 5x1/8" NPSF female, 30–40, with dual flow control valve	3251011
Fitting 1/8" NPSF female, 30–40, PA	3150197

For further information and dimensioned drawings, see SUCTION CUPS FITTINGS chapter.

Spare Part	Material	Temperature range °C	Art. No.
Reinforcement ring for BL30-2 & BL40-4, 4x	Polyamide, PA	-40–110	3150072