

BL40-4



SUCTION CUP WITH LONG BELLOWS AND LONG LIP

- ▶ Long and flexible bellow
- ▶ Long and thin lip
- ▶ High flow fitting
- ▶ Working area = lip diameter
- ▶ Wide temperature range (-40°C to +200°C)
- ▶ The silicone material complies with FDA 21 CFR 177.2600

LIFTING FORCES & TECHNICAL DATA

Lifting force vertical to the surface, N, at vacuum level			Lifting force parallel to the surface, N, at vacuum level			Volume cm ³	Min. curve radius mm	Max. vertical movement mm	Weight rubber part g
20 -kPa	60 -kPa	90 -kPa	20 -kPa	60 -kPa	90 -kPa				
10	15	22	9*	16*	26*	15	15	18	8

*The suction cup is not intended for handling shear lifts. The values are given as a dimensioning guide to be used when, e.g., the acceleration/retardation causes shear forces.

MATERIAL SPECIFICATIONS

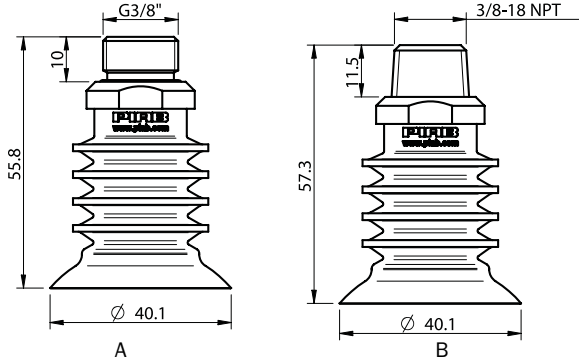
Material	Colour	Hardness °Shore A	Temperature range °C
Silicone, SIL	Red	40	-40-200

MATERIAL RESISTANCE

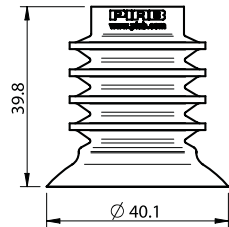
Material	Wear resistance	Oil	Weather & Ozone	Hydrolysis	Petrol	Concentrated acids	Alcohol	Oxidation
Silicone, SIL	Good	Poor	Excellent	Fair	Poor	Poor	Good	Excellent

ORDERING INFORMATION

Complete suction cup		Art. No.
A	Suction cup BL40-4 Silicone, G3/8" male	0116993
B	Suction cup BL40-4 Silicone, 3/8" NPT male	0116996



Rubber part		Art. No.
Suction cup BL40-4 Silicone		0114848



Fittings		Art. No.
Fitting G3/8" male, bag		0112662
Fitting 3/8" NPT male, bag		0112692

For further information and dimensioned drawings, see *SUCTION CUPS FITTINGS* chapter.

Spare Part	Material	Temperature range °C	Art. No.
Reinforcement ring for BL30-2 & BL40-4, 4x	Polyamide, PA	-40-110	3150072

Suction cups
BL