

BL30-4



SUCTION CUP WITH LONG BELLOWS AND LONG LIP

- ▶ Long and flexible bellow
- ▶ Long and thin lip
- ▶ High flow fitting
- ▶ Working area = lip diameter
- ▶ Wide temperature range (-40°C to +200°C)
- ▶ The silicone material complies with FDA 21 CFR 177.2600

LIFTING FORCES & TECHNICAL DATA

Lifting force vertical to the surface, N, at vacuum level			Lifting force parallel to the surface, N, at vacuum level			Volume	Min. curve radius	Max. vertical movement	Weight rubber part
20 -kPa	60 -kPa	90 -kPa	20 -kPa	60 -kPa	90 -kPa	cm ³	mm	mm	g
8.0	—	—	—	—	—	4.1	20	19	5

The suction cup is not intended for deeper vacuum levels than 20 -kPa.

MATERIAL SPECIFICATIONS

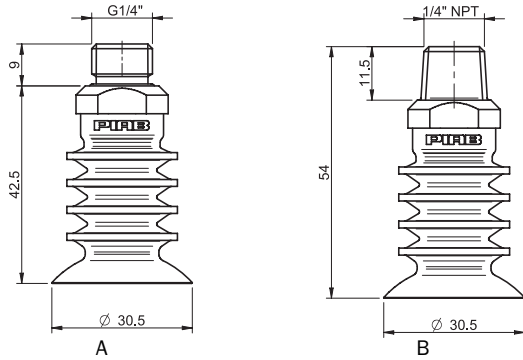
Material	Colour	Hardness °Shore A	Temperature range °C
Silicone, SIL	Red	40	-40-200

MATERIAL RESISTANCE

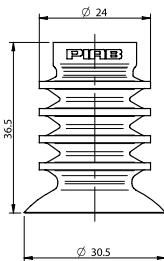
Material	Wear resistance	Oil	Weather & Ozone	Hydrolysis	Petrol	Concentrated acids	Alcohol	Oxidation
Silicone, SIL	Good	Poor	Excellent	Fair	Poor	Poor	Good	Excellent

ORDERING INFORMATION

Complete suction cups		Art. No.
A	Suction cup BL30-4 Silicone, G1/4" male	0118369
B	Suction cup BL30-4 Silicone, 1/4" NPT male	0118371



Rubber parts		Art. No.
Suction cup BL30-4 Silicone		0116971



Fittings		Art. No.
Fitting G1/4" male, bag		0118793
Fitting 1/4" NPT male, bag		0118794

Spare Part	Material	Temperature range °C	Art. No.
Reinforcement ring for BL20-2, 4x	Polyamide, PA	-40-110	3150071

Suction cups
BL