

## B75-2



### SUCTION CUP WITH SHORT BELLOWS AND FILTER

- ▶ Suitable for level adjustment. Several short bellows in one lifting device can handle objects with height differences and varying shapes, for example embossed or corrugated plates.
- ▶ Lifting movement to separate small and thin objects.
- ▶ Only lightweight objects should be handled when the lifting force is parallel to the surface of the object, in order to achieve good precision and safe lifting movement.

### LIFTING FORCES & TECHNICAL DATA

Lifting force vertical to the surface, N, at vacuum level			Lifting force parallel to the surface, N, at vacuum level			Volume cm <sup>3</sup>	Min. curve radius mm	Max. vertical movement mm	Weight rubber part g
20 -kPa	60 -kPa	90 -kPa	20 -kPa	60 -kPa	90 -kPa				
74	167	226	—	—	—	110	40	24	35

### MATERIAL SPECIFICATIONS

Material	Colour	Hardness °Shore A	Temperature range °C
Nitrile-PVC, NPV	Black	50	0-90*
Silicone, SIL	Red	50	-40-200*

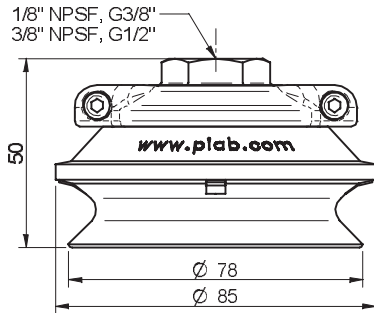
\* Filter disc max. 80 °C

### MATERIAL RESISTANCE

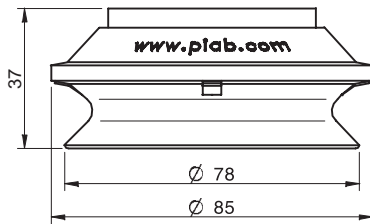
Material	Wear resistance	Oil	Weather & Ozone	Hydrolysis	Petrol	Concentrated acids	Alcohol	Oxidation
Nitrile-PVC, NPV	Excellent	Excellent	Good	Good	Excellent	Fair	Good	Good
Silicone, SIL	Good	Poor	Excellent	Fair	Poor	Poor	Good	Excellent

## ORDERING INFORMATION

Complete suction cups	Art. No.
Suction cup B75-2 Nitrile-PVC with filter, 1/8" NPSF female, with mesh filter	0101862
Suction cup B75-2 Nitrile-PVC with filter, G3/8" female, with mesh filter	0101863
Suction cup B75-2 Nitrile-PVC with filter, 3/8" NPSF female, with mesh filter	0101864
Suction cup B75-2 Nitrile-PVC with filter, G1/2" female, with mesh filter	0101865
Suction cup B75-2 Silicone with filter, 1/8" NPSF female, with mesh filter	0101858
Suction cup B75-2 Silicone with filter, G3/8" female, with mesh filter	0101859
Suction cup B75-2 Silicone with filter, 3/8" NPSF female, with mesh filter	0101860
Suction cup B75-2 Silicone, G1/2" female, with mesh filter	0101861



Rubber parts	Art. No.
Suction cup B75-2 Nitrile-PVC with filter	0101942
Suction cup B75-2 Silicone with filter	0101943



Fittings	Art. No.
Fitting 75, 1/8" NPSF female, with mesh filter	0100548
Fitting 75, G3/8" female, with mesh filter	0100551
Fitting 75, 3/8" NPSF female, with mesh filter	0100553
Fitting 75, G1/2" female, with mesh filter	0100555

For further information and dimensioned drawings, see *SUCTION CUPS FITTINGS* chapter.

Spare part	Material	Temperature range °C	Art. No.
Filter for B75-2	Polyethylene, PE	-40-80	3150244