

B50-2



SUCTION CUP WITH SHORT BELLOWS AND FILTER

- ▶ Suitable for level adjustment. Several short bellows in one lifting device can handle objects with height differences and varying shapes, for example embossed or corrugated plates.
- ▶ Lifting movement to separate small and thin objects.
- ▶ Only lightweight objects should be handled when the lifting force is parallel to the surface of the object, in order to achieve good precision and safe lifting movement.

LIFTING FORCES & TECHNICAL DATA

| Lifting force vertical to the surface, N, at vacuum level | | | Lifting force parallel to the surface, N, at vacuum level | | | Volume cm ³ | Min. curve radius mm | Max. vertical movement mm | Weight rubber part g |
|---|---------|---------|---|---------|---------|---------------------------|-------------------------|------------------------------|-------------------------|
| 20 -kPa | 60 -kPa | 90 -kPa | 20 -kPa | 60 -kPa | 90 -kPa | | | | |
| 33 | 65 | 82 | — | — | — | 32 | 30 | 19 | 20.0 |

MATERIAL SPECIFICATIONS

| Material | Colour | Hardness °Shore A | Temperature range °C |
|------------------|--------|----------------------|-------------------------|
| Nitrile-PVC, NPV | Black | 50 | 0–90* |
| Silicone, SIL | Red | 50 | -40–200* |

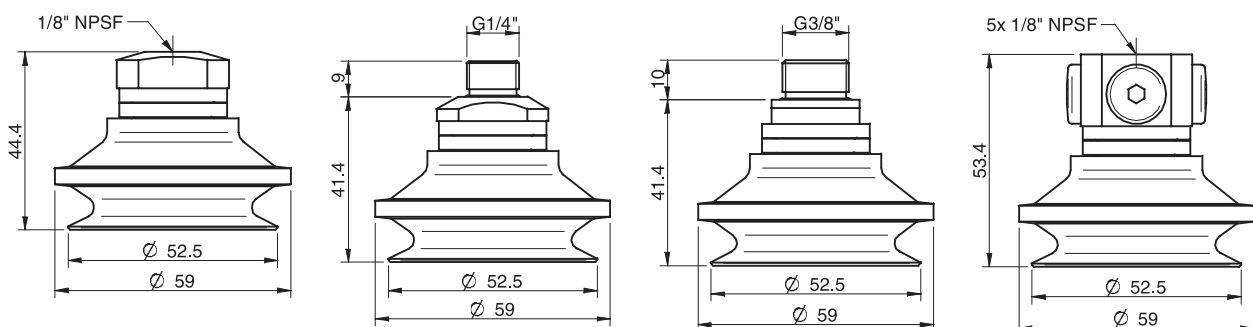
* Filter disc max. 80 °C

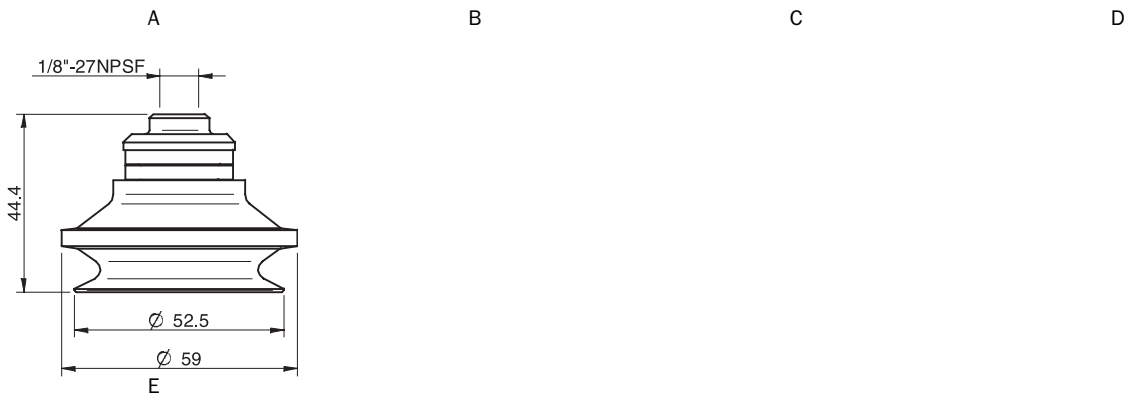
MATERIAL RESISTANCE

| Material | Wear resistance | Oil | Weather & Ozone | Hydrolysis | Petrol | Concentrated acids | Alcohol | Oxidation |
|------------------|-----------------|-----------|-----------------|------------|-----------|--------------------|---------|-----------|
| Nitrile-PVC, NPV | Excellent | Excellent | Good | Good | Excellent | Fair | Good | Good |
| Silicone, SIL | Good | Poor | Excellent | Fair | Poor | Poor | Good | Excellent |

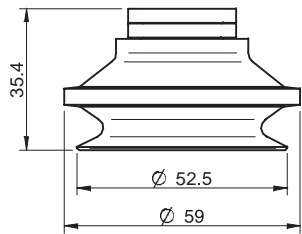
ORDERING INFORMATION

| | Complete suction cups | Art. No |
|---|---|---------|
| A | Suction cup B50-2 Nitrile-PVC with filter, 1/8" NPSF female, with mesh filter | 0101675 |
| A | Suction cup B50-2 Nitrile-PVC with filter, 1/8" NPSF female, with dual flow control valve | 0101676 |
| B | Suction cup B50-2 Nitrile-PVC with filter, G1/4" male, with mesh filter | 0101670 |
| B | Suction cup B50-2 Nitrile-PVC with filter, G1/4" male, with dual flow control valve and mesh filter | 0101677 |
| C | Suction cup B50-2 Nitrile-PVC with filter, G3/8" male, with mesh filter | 0101672 |
| D | Suction cup B50-2 Nitrile-PVC with filter, 5x1/8" NPSF female | 0101674 |
| A | Suction cup B50-2 Silicone with filter, 1/8" NPSF female, with mesh filter | 0101662 |
| A | Suction cup B50-2 Silicone with filter, 1/8" NPSF female, with dual flow control valve | 0101663 |
| B | Suction cup B50-2 Silicone with filter, G1/4" male, with mesh filter | 0101657 |
| C | Suction cup B50-2 Silicone with filter, G3/8" male, with mesh filter | 0101659 |
| D | Suction cup B50-2 Silicone with filter, 5x1/8" NPSF female | 0101661 |
| E | Suction cup B50-2 Nitrile-PVC with filter, 1/8" NPSF female, PA | 0110957 |
| E | Suction cup B50-2 Silicone with filter, 1/8" NPSF female, PA | 0110347 |





| Rubber parts | | Art. No. |
|---|--|----------|
| Suction cup B50-2 Nitrile-PVC with filter | | 0101109 |
| Suction cup B50-2 Silicone with filter | | 0101110 |



| Fittings | Art. No |
|--|---------|
| Fitting 1/8" NPSF female, 50, with mesh filter | 0101154 |
| Fitting 1/8" NPSF female, 50, with dual flow control valve | 3251012 |
| Fitting G1/4" male, 50, with mesh filter | 3250092 |
| Fitting G1/4" male, with mesh filter and dual flow control valve | 3251013 |
| Fitting G3/8" male, 50, with mesh filter | 3250087 |
| Fitting G3/8" male, 50, with mesh filter and dual flow control valve | 3251015 |
| Fitting 5x1/8" NPSF female, 50 | 0100262 |
| Fitting 5x1/8" NPSF female, 50, with dual flow control valve | 3251017 |
| Fitting 1/8" NPSF female, 50, PA | 3150198 |

For further information and dimensioned drawings, see **SUCTION CUPS FITTINGS** chapter.

| Spare Part | Material | Temperature range °C | Art. No. |
|------------------|------------------|-------------------------|----------|
| Filter for B50-2 | Polyethylene, PE | -40-80 | 3150243 |