

B40



SUCTION CUP WITH SHORT BELLOWS

- ▶ Suitable for level adjustment. Several short bellows in one lifting device can handle objects with height differences and varying shapes, for example embossed or corrugated plates.
- ▶ The lifting movement can be used to separate small and thin objects.
- ▶ Only lightweight objects should be handled when the lifting force is parallel to the surface of the object, in order to achieve good precision and safe lifting movement.

LIFTING FORCES & TECHNICAL DATA

Lifting force vertical to the surface, N, at vacuum level			Lifting force parallel to the surface, N, at vacuum level			Volume	Min. curve radius	Max. vertical movement	Weight rubber part
20 -kPa	60 -kPa	90 -kPa	20 -kPa	60 -kPa	90 -kPa	cm ³	mm	mm	g
22.0	39	49	—	—	—	15	20	12	10.0

MATERIAL SPECIFICATIONS

Material	Colour	Hardness °Shore A	Temperature range °C
Chloroprene, CR	Black	60	-40–110
Silicone, SIL	Red	50	-40–200
HNBR	Grey-blue	75	-30–140*

*For a shorter period of time up to 160 °C.

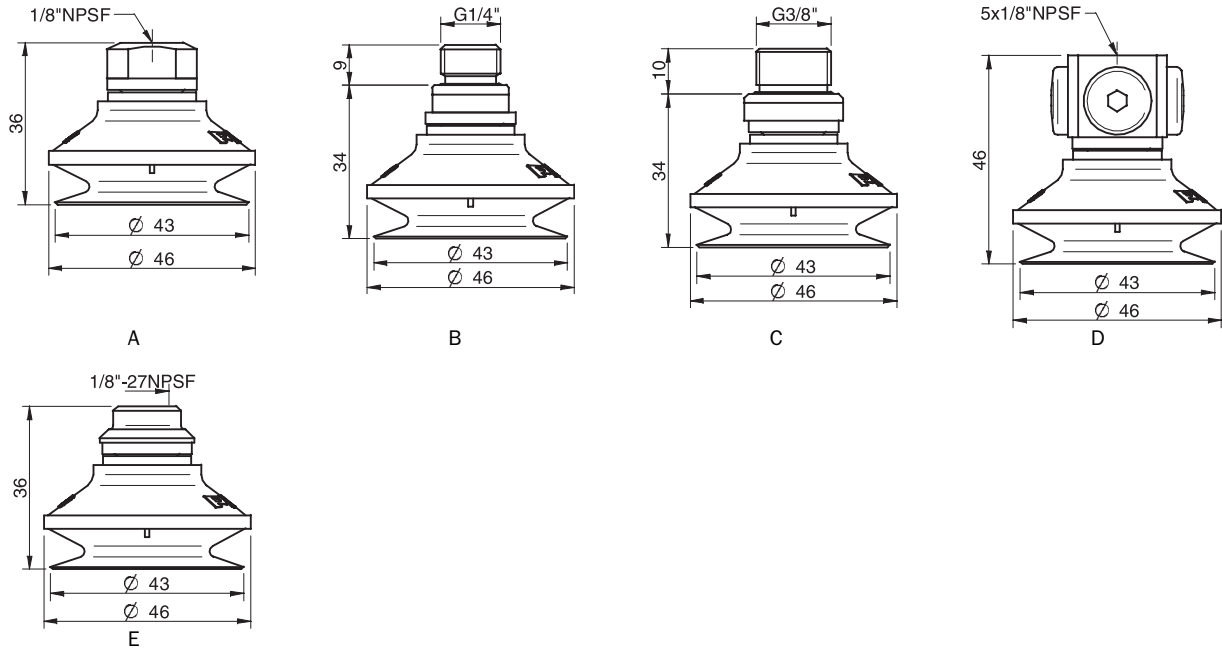
MATERIAL RESISTANCE

Material	Wear resistance	Oil	Weather & Ozone	Hydrolysis	Petrol	Concentrated acids	Alcohol	Oxidation
Chloroprene, CR	Excellent	Fair	Good	Good	Fair	Poor	Good	Good
Silicone, SIL	Good	Poor	Excellent	Fair	Poor	Poor	Good	Excellent
HNBR	Excellent	Excellent	Excellent	Good	Excellent	Fair	Good	Excellent

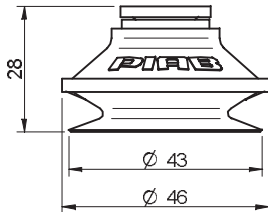
ORDERING INFORMATION

	Complete suction cups	Art. No.
A	Suction cup B40 Chloroprene, 1/8" NPSF female, with mesh filter	0101462
A	Suction cup B40 Chloroprene, 1/8" NPSF female, with dual flow control valve	0101463
B	Suction cup B40 Chloroprene, G1/4" male, with mesh filter	0101457
B	Suction cup B40 Chloroprene, G1/4" male, with mesh filter and dual flow control valve	0101464
C	Suction cup B40 Chloroprene, G3/8" male, with mesh filter	0101459
C	Suction cup B40 Chloroprene, G3/8" male, with mesh filter and dual flow control valve	0101466
D	Suction cup B40 Chloroprene, 5x1/8" NPSF female	0101461
A	Suction cup B40 Silicone, 1/8" NPSF female, with mesh filter	0101475
A	Suction cup B40 Silicone, 1/8" NPSF female, with dual flow control valve	0101476
B	Suction cup B40 Silicone, G1/4" male, with mesh filter	0101470
B	Suction cup B40 Silicone, G1/4" male, with mesh filter and dual flow control valve	0101477
C	Suction cup B40 Silicone, G3/8" male, with mesh filter	0101472
D	Suction cup B40 Silicone, 5x1/8" NPSF female	0101474
A	Suction cup B40 HNBR, 1/8" NPSF female, with mesh filter	0108082
B	Suction cup B40 HNBR, G1/4" male, with mesh filter	0108169
C	Suction cup B40 HNBR, G3/8" male, with mesh filter	0108170
E	Suction cup B40 Chloroprene, 1/8" NPSF female, PA	0109843
E	Suction cup B40 Silicone, 1/8" NPSF female PA	0110337

SUCTION CUPS B



Rubber parts	Art. No.
Suction cup B40 Chloroprene	0101105
Suction cup B40 Silicone	0101106
Suction cup B40 HNBR	0108081



Fittings	Art. No.
Fitting 1/8" NPSF female, 30–40, with mesh filter	0101153
Fitting 1/8" NPSF female, 30–40, with dual flow control valve	3251006
Fitting G1/4" male, 30–40, with mesh filter	3250091
Fitting G1/4" male, 30–40, with mesh filter and dual flow control valve	3251007
Fitting G3/8" male, 30–40, with mesh filter	3250086
Fitting G3/8" male, 30–40, with mesh and dual flow control valve	3251009
Fitting 5x1/8" NPSF female, 30–40	0100261
Fitting 5x1/8" NPSF female, 30–40, with dual flow control valve	3251011
Fitting 1/8" NPSF female, 30–40, PA	3150197

For further information and dimensioned drawings, see SUCTION CUPS FITTINGS chapter.