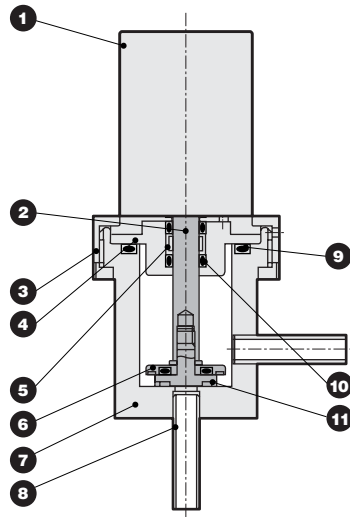


Internal structure and parts list

AVP21-8T

●NC



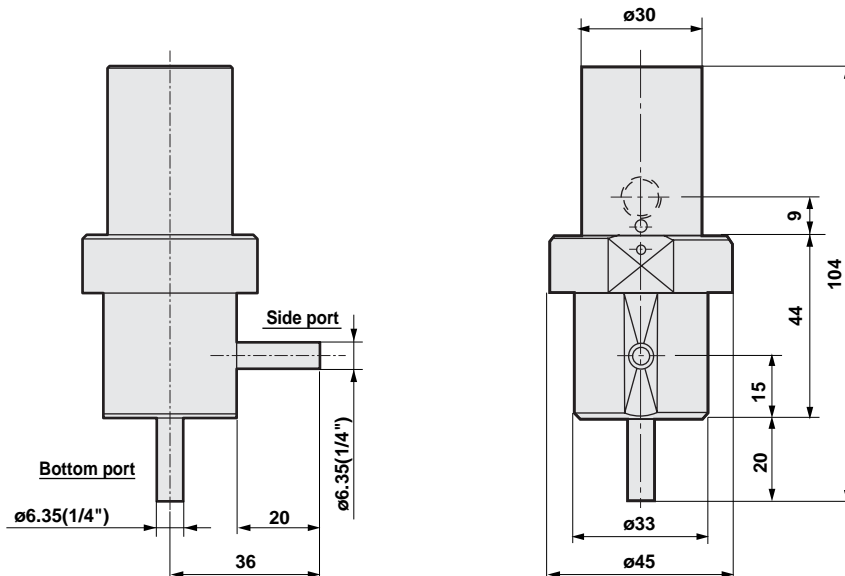
*The cylinder switch and solenoid valve are not available for the AVP21 type. Only NC is available for actuation.

No.	Parts name	Material
1	Cylinder	
2	Rod	SUS304
3	Ring	C3604
4	O ring holder	SUS304
5	Grease container	SUS304
6	Valve disk B	SUS304
7	Body	SUS304
8	Pipe	SUS304
9	O ring	FKM
10	O ring	FKM
11	Valve disk A	FKM/SUS304

Dimensions

AVP21-8T

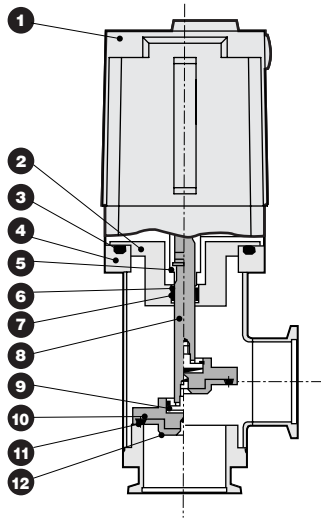
●NC



Internal structure and parts list

AVP**2-*K

● NC/NO/Double acting



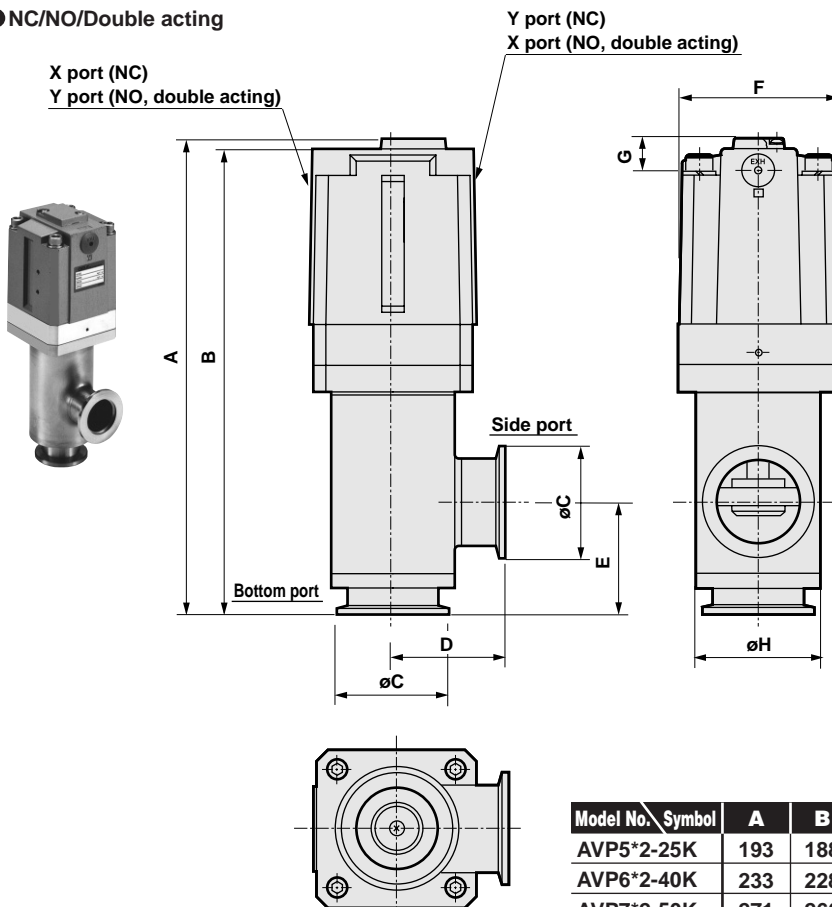
No.	Parts name	Material
①	Cylinder (magnet integrated)	
②	O ring holder	SUS316
③	O ring (*1)	FKM
④	Body	SUS316
⑤	O ring holder	A5056
⑥	O ring	FKM
⑦	Grease container	SUS304
⑧	Valve rod	SUS316
⑨	Rod piece	SUS304
⑩	Valve disk A	SUS316
⑪	O ring	FKM
⑫	Valve disk B	SUS316

*1. The external seal differs slightly for AVP7 and AVP8. (The ③ O-ring seal is shown at left.)

Dimensions

AVP**2-*K

● NC/NO/Double acting



● The options (pilot-operated solenoid valve, cylinder switch) and dimensions are available upon request.

The solenoid valve option is not used for double-acting valve.

Model No. \ Symbol	A	B	øC	D	E	F	G	øH
AVP5*2-25K	193	188	40(NW25)	50	50	63	15	48.6
AVP6*2-40K	233	228	55(NW40)	55	55	78	15.5	60.5
AVP7*2-50K	271	266	75(NW50)	70	70	78	15.5	76.3
AVP8*2-80K	359	354	114(NW80)	95	98	115	15.5	118