

Miniature regulator

RB500 Series

Compact / space saving structure
Port size: Push-in joint 4 and 6 dia.

JIS symbol



CAD DATA AVAILABLE.

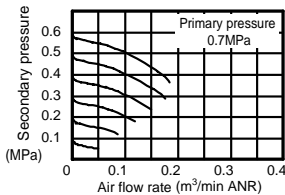
Specifications

| Descriptions | | RB500 |
|---------------------------|--------|--------------------------|
| Working fluid | | Compressed air |
| Max. working pressure | MPa | 1.0 |
| Withstanding pressure | MPa | 1.5 |
| Ambient temperature range | | °C |
| | | 5 to 60 |
| Set pressure range | | MPa |
| | | 0.05 to 0.7 (Note 1) |
| Relief | | With relief mechanism |
| Port size | IN-OUT | Push-in joint: 4, 6 dia. |
| | GAUGE | Rc1/8 |
| Product mass | g | 80 |

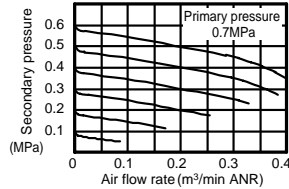
Note 1: 0.05 to 0.35 for low pressure specifications.

Flow characteristics

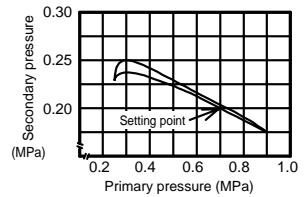
• RB500-SSC4



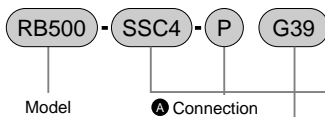
• RB500-SSC6



Pressure characteristics



How to order



| Symbol | | Descriptions |
|---------------------|-----|------------------------|
| A Connection | | |
| Direction | IN | S Straight |
| | | L Elbow |
| | OUT | S Straight |
| | | L Elbow |
| Port size | | C4 4 dia. C6 6 dia. |

| B Option | |
|----------|------------------------|
| Blank | Standard products |
| P | Panel mount Note 2 |
| L | For low pressure |
| N | Non-relief |
| T | Without pressure gauge |

| C Accessory | | |
|-------------|---------------------------|----------|
| Blank | 21 dia. 0 to 1.0MPa gauge | Standard |
| Note 1 | 27 dia. 0 to 0.4MPa gauge | |
| G39 | 27 dia. 0 to 1.0MPa gauge | Option |

| D Ozone proof | |
|---------------|-------------------------------------------|
| P11 | Ozone proof specifications (custom order) |

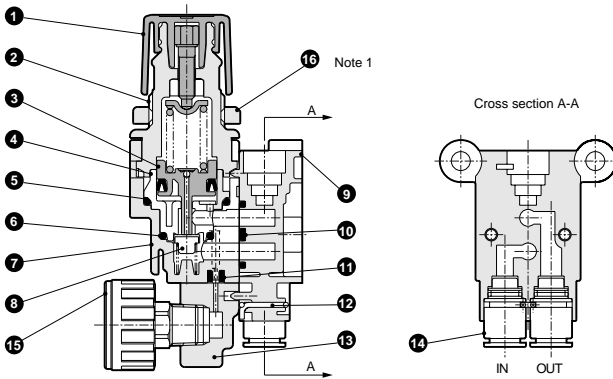
Note on model No. selection

Note 1: 21 dia. 0 to 1.0MPa pressure gauge is provided as standard.

However for low pressure, 27 dia. 0 to 0.4MPa low pressure gauge is provided.

Note 2: For panel installation, indicate option symbol "P".

Internal structure and parts list



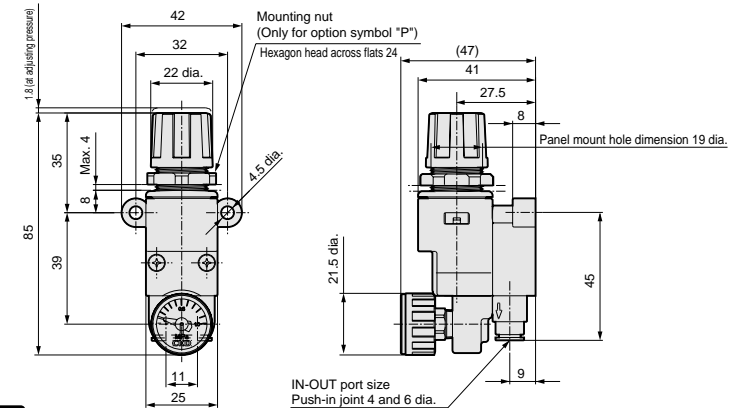
Note 1: Mounting nut is optional.
Nut is attached only for option symbol "P".

| No | Parts name | Material |
|----|---------------------|-----------------------------------|
| 1 | Knob | Polyacetal resin |
| 2 | Cover | Polyamide resin |
| 3 | Piston assembly | Polyacetal resin / nitrile rubber |
| 4 | Piston guide | Polyacetal resin |
| 5 | O ring | Nitrile rubber |
| 6 | O ring | Nitrile rubber |
| 7 | Body | Polyamide resin |
| 8 | Valve element | Aluminum / nitrile rubber |
| 9 | Pipe block assembly | Polyamide resin / steel |
| 10 | Body packing seal | Nitrile rubber |
| 11 | Packing seal | Nitrile rubber |
| 12 | Stop pin | Stainless steel |
| 13 | Gauge plug | Polyamide resin |
| 14 | Cartridge joint | |
| 15 | Pressure gauge | |
| 16 | Mounting nut | Polyacetal resin |

Refrigerating type dryer
Desiccant type dryer
High polymer membrane dryer
Air filter
Automatic drain other
F.R.L. (Module)
F.R.L. (Separate)
Small F.R.
Precise R.
Electro pneumatic R.
Auxiliary
Flow control valve
Silencer
Check valve / others
Joint / tube
Vacuum F.
Vacuum R.
Vacuum generator
Vacuum auxiliary / pad
Mechanical pressure SW
Electronic pressure SW
Electronic dif. pres. SW
Seating / close contact conf. SW
Pressure SW for coolant
Flow sensor for air
Total air system
Water cooling refrigerator
Flow sensor for water
F.R.L. unit
Miniature regulator

Dimensions

• RB500 axial piping (File name: Page 462 or Ending 17)



• RB500 elbows pipe (File name: Page 462 or Ending 17)

