



Reduced wiring manifold (common gland/D-sub connector/flat cable connector)
Body porting direct mount type

M4GA1/2/3-T* Series

DIN rail mount type

M4GA1/2/3-T*D Series

• Applicable cylinder bore size: 20 to 100mm



CAD DATA AVAILABLE.

- Please refer to Page 200 about serial transmission.

Manifold common specifications

Descriptions		
Manifold type		Reduced wiring integrated type base
Installation method		Direct mount type/DIN rail mount type
Air supply/exhaust air method		Common supply/exhaust (check valve incorporated)
Pilot exhaust method	Internal pilot	Main/pilot valves common exhaust (pilot exhaust check valve incorporated)
	External pilot	Main valve/pilot valve individual exhaust
Piping direction		Valve top direction

Other specifications are as same as M4GA (Page 156).

Please refer to Page 90 about JIS symbol.

Electrical specifications

Descriptions		
Rated voltage	DC	12, 24
Rated voltage fluctuation		±10%
Holding current	DC24V	0.025
	DC12V	0.050
Power consumption	DC24V	0.6
	DC12V	0.6
Heat proof class		B
Temperature rise	°C	50
Surge suppressor		Standard
Indicator		Indicator light

Individual specifications

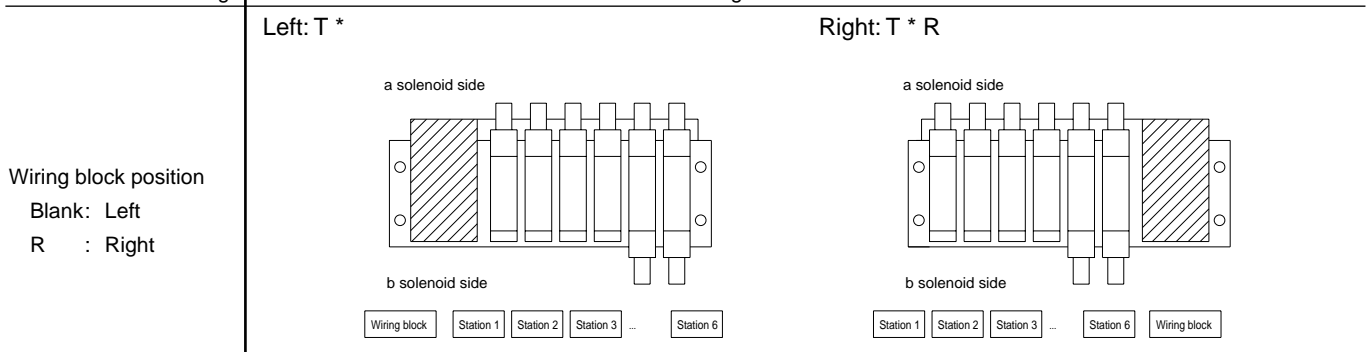
Descriptions		M3GA1/M4GA1		M3GA2/M4GA2		M3GA3/M4GA3	
		T *		T *		T *	
		Direct mount	DIN rail mount	Direct mount	DIN rail mount	Direct mount	DIN rail mount
Max. station number	STD (internal pilot)	20 station	16 station	20 station	16 station	16 station	
	External pilot	12 station					
Port size	Port A/B	Push in joint 4, 6 dia. M5		Push in joint 4, 6, 8 dia. Rc1/8		Push in joint 6, 8, 10 dia. Rc1/4	
	Port P/R1/R2	Rc1/8		Rc1/4		Rc3/8	
Manifold base mass formula (N: Station #) g	Standard	29n+215	31n+228	54n+264	56n+297	84n+320	86n+354
	External pilot	44n+334	46n+347	96n+433	98n+468	149n+554	151n+583

Manifold base mass is the value for DIN rail, screw connection specifications with wiring block.

Max. station number is restricted depending on maximum solenoid number per following wiring specifications.

Wiring specifications

Descriptions	T10 *	T11 *	T30 *	T50 *	T51 *	T52 *	T53 *
	Common gland	Common gland	D-sub connector	Flat cable 20 pins	Flat cable 20 pins	Flat cable 10 pins	Flat cable 26 pins
Connection connector and Gland specifications	M3 thread type 16 terminals	Push in fitting type 26 terminals	MIL standards D-sub connector 25 T	MIL-C-83563 standards Pressure welding socket 20 P	MIL-C-83563 standards Pressure welding socket 20 P	MIL-C-83563 standards Pressure welding socket 10 P	MIL-C-83563 standards Pressure welding socket 26 P
Max. solenoid number	14 points	24 points	24 points	16 points	18 points	10 points	24 points
Manifold internal wiring	Refer to Page 336 to 342 about details						



Array
Blank : STD sequential
W : Double wiring

When (e.g.) T50 *

Manifold specifications

1a	2a	3a	4a
S	D	S	D
2b	4b		

Station 1 Station 3
Station 2 Station 4

Standard wire (sequential): Blank

Connector pin No.	1	2	3	4	5	6
Valve solenoid No.	1a	2a	2b	3a	4a	4b

Double wiring: W

Connector pin No.	1	2	3	4	5	6	7	8
Valve solenoid No.	1a	Void	2a	2b	3a	Void	4a	4b

M4GA1/2/3-T * Series

Individual wiring type manifold: Body porting

How to order

Manifold model No.

M4GA1 1 0 C6 T30 W H D

3 port manifold model No.

M3GA1 1 0 C6 T30 W H D

Discrete valve for base installation

4GA1 1 9 C6 A2N H

3 port discrete valve for base installation

3GA1 1 9 C6 A2N H

A Solenoid position

"A2N" shows A type (radial downward) connector, light/surge suppressor, no lead wire.

B Port size

C Reduced wiring
Zener diode for surge suppressor is used.

D Terminal/connector pin array

E Option

F Mount type

G Station #

H Voltage

• Complete "manifold specification sheet" (Page 230 to 235).

		Model					
		M3GA1	M3GA2	M3GA3	M4GA1	M4GA2	M4GA3
Symbol	Descriptions						
A Solenoid position							
1	2-position single				●	●	●
2	2-position double				●	●	●
3	3-position all ports closed				●	●	●
4	3-position ABR connection				●	●	●
5	3-position PAB connection				●	●	●
1	2-position single solenoid, normally closed	●	●	●			
11	2-position single solenoid, normally open	●	●	●			
8	Mix manifold	●	●	●	●	●	●
B Port size							
Port	Port A/B	Port P/R1/R2 ②=Rc1/8 ③=Rc1/4 ④=Rc3/8					
C4	4 mm push in joint	②	③		②	③	
C6	6 mm push in joint	②	③	④	②	③	④
C8	8 mm push in joint		③	④		③	④
C10	10 mm push in joint			④			④
CX	Push in mix joint	②	③	④	②	③	④
M5	M5	②			②		
06	Rc1/8		③			③	
08	Rc1/4			④			④
C Reduced wiring connection (light/surge suppressor provided as STD)							
T10	Common gland (M3 screw)	Left	●	●	●	●	●
T10R		Right	●	●	●	●	●
T11	Common gland (push in fitting)	Left	●	●	●	●	●
T11R		Right	●	●	●	●	●
T30	D-sub connector	Left	●	●	●	●	●
T30R		Right	●	●	●	●	●
T50	20 pin flat cable connector (with power supply terminal)	Left	●	●	●	●	●
T50R		Right	●	●	●	●	●
T51	20 pin flat cable connector (no power supply terminal)	Left	●	●	●	●	●
T51R		Right	●	●	●	●	●
T52	10 pin flat cable connector (no power supply terminal)	Left	●	●	●	●	●
T52R		Right	●	●	●	●	●
T53	26 pin flat cable connector (no power supply terminal)	Left	●	●	●	●	●
T53R		Right	●	●	●	●	●
D Terminal/connector pin array							
Blank	Standard wire	Note 1	●	●	●	●	●
W	Double wiring	Note 1	●	●	●	●	●
E Option							
Blank	Blank		●	●	●	●	●
H	Check valve (STD)	Note 2	●	●	●	●	●
K	External pilot	Note 3	●	●	●	●	●
A	Ozone/coolant proof		●	●	●	●	●
F	Filter incorporated in Port A/B (Port P: Provided as STD)		●	●	●	●	●
F Mount type							
Blank	Direct mount type		●	●	●	●	●
D	DIN rail mount type		●	●	●	●	●
G Station #							
2	2 station		●	●	●	●	●
to	to		●	●	●	●	●
20	Refer to Page 188 about maximum station number.		●	●	●	●	●
H Voltage							
3	DC24V		●	●	●	●	●
4	DC12V		●	●	●	●	●

is not available.

Caution for model No. selection

- Note 1. Blank : Wired according to mounted valve type.
W : Not depending on mounted valve type, wire for double solenoid is provided.
- Note 2. Check valve specifications (H) are not available for 3-position all ports closed and PAB connection.
- Note 3. Consult with CKD about vacuuming of external pilot (K).

4SA/B0

4SA/B1

4GA/B

MN4GA/B

4GA/B (master)

MN3S0/ MN4S0

4TB

4L2-4/ LMFO

4KA/B

4F

PV5/ CMF

3MA/B0

3PA/B

P/M/B

NP/NAP/ NVP

4F**0E

HMV/ HSV

Uniwire system

SKH

PCD/ FS/FD

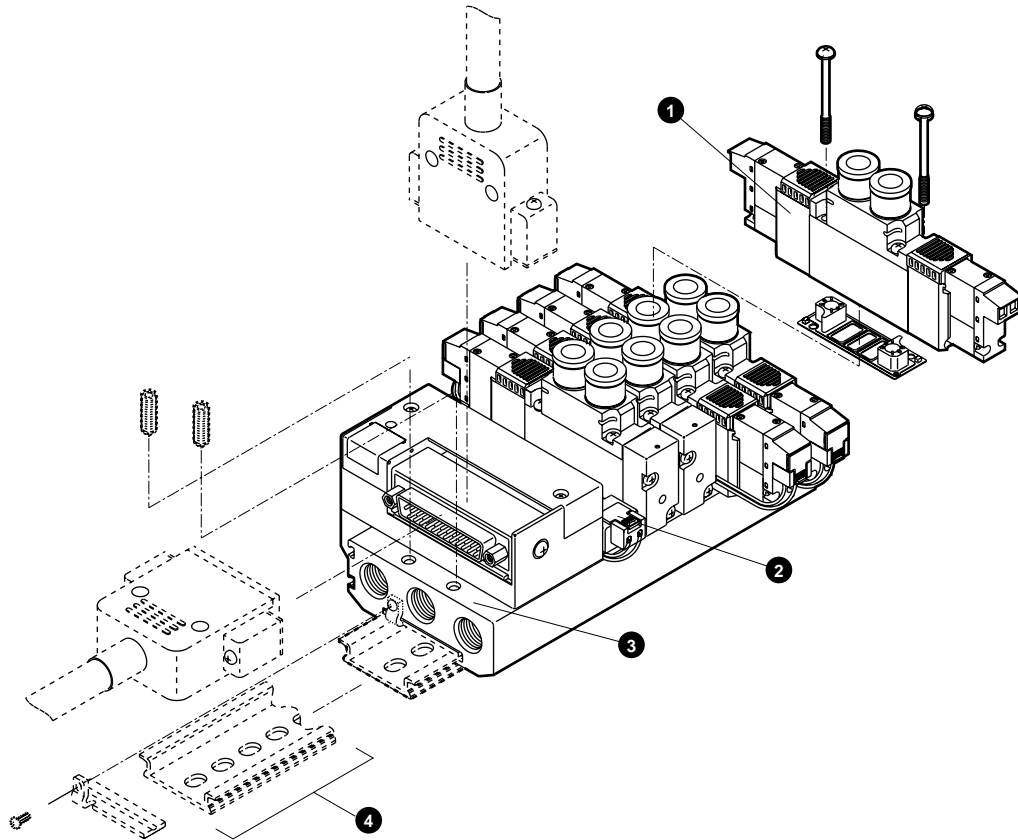
3, 5 port pilot operated valve

Reduced wiring manifold

M4GA1/2/3-T * Series

Individual wiring type manifold: Body porting

Explanation of manifold components and parts list



Main construction part list

No.	Construction parts name	Model No.	Description	Remarks
1	Discrete valve for base installation	4GA * * 9 - [Port size] - A2N [Option] - [Voltage] [Solenoid position] [Flow rate]	Discrete valve Gasket Set screw 2 PR check valve 2	Details Page 189
2	Masking plate	4G1 4G1-MP 4G2 4G2-MP 4G3 4G3-MP	Masking plate Gasket Set screw 2 PR check valves 2	
3	Manifold base assembly	M4GA* -00- [Reduced wiring connection] [Option] - [Station #] [Flow rate]	Manifold base Wiring block	
4	DIN rail kit			Details Page 81

Repair parts and related part list

No.	Parts name	Model	No.	Parts name	Model
-	Coil assembly	4G-A2N-* -COIL- [Voltage] Blank: Standard A: Ozone proof	-	Cartridge type quick connector and related parts	4G1 4 dia. straight type 4G1-JOINT-C4 6 dia. straight type 4G1-JOINT-C4 Plug cartridge 4G1-JOINT-CPG
-	A-connector Socket assembly Details Page 353	[Flow rate] 4G * - SOCKET ASSY A * * -[Manifold No.] Blank: Left, R: Right A: ASOL side, b: BSOL side N: Position of valve to be wired	-		4G2 4 dia. straight type 4G2-JOINT-C4 6 dia. straight type 4G2-JOINT-C6 8 dia. straight type 4G2-JOINT-C8 Plug cartridge 4G2-JOINT-CPG
-	Silencer	For M5 : SLM-M5 For Rc1/8 : SLW-6A, SLW-6S For Rc1/4 : SLW-8A, SLW-8S For Rc3/8 : SLW-10A, SLW-10L	-		4G3 6 dia. straight type 4G3-JOINT-C6 8 dia. straight type 4G3-JOINT-C8 10 dia. straight type 4G3-JOINT-C10 Plug cartridge 4G3-JOINT-CPG

M4GA1-T* Series

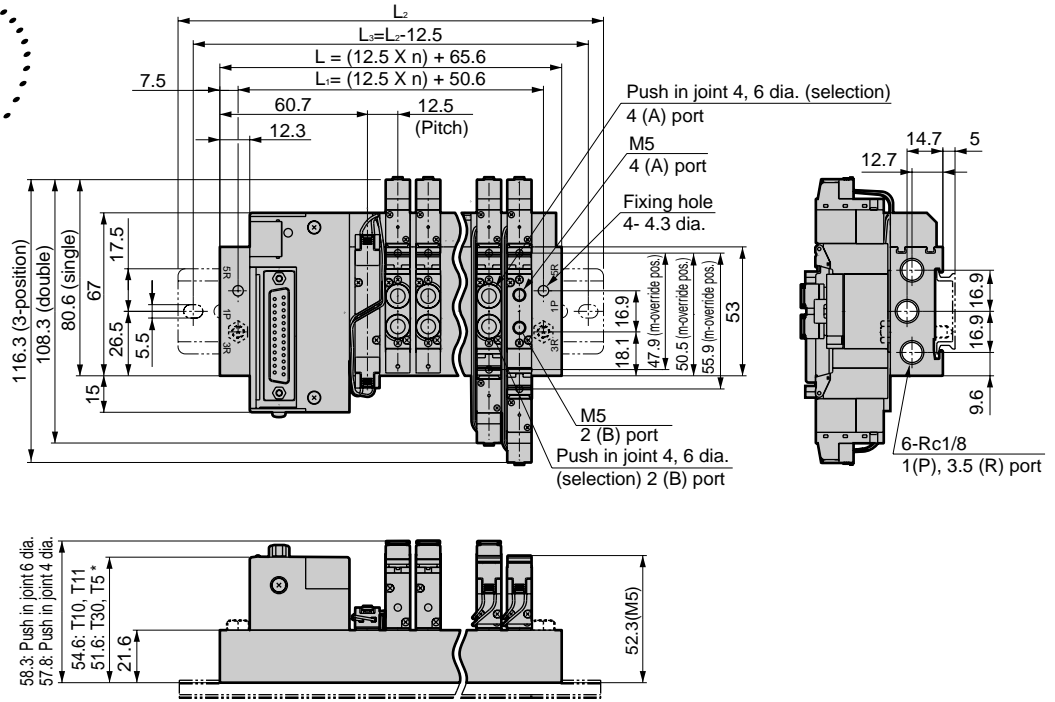
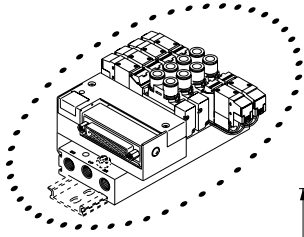
Individual wiring type manifold: Body porting

Dimensions

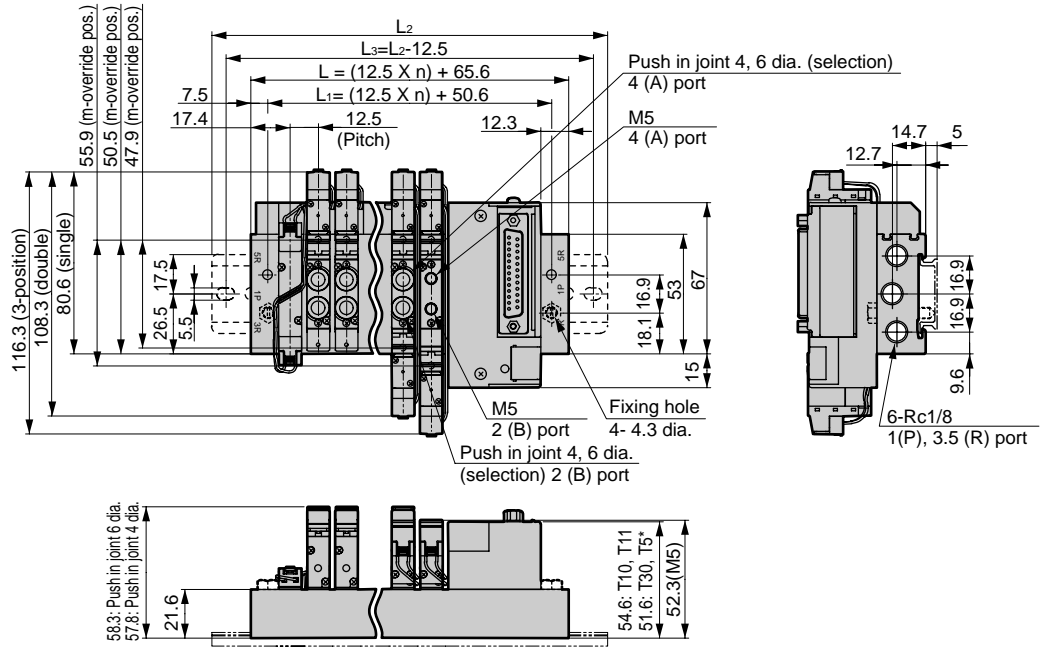
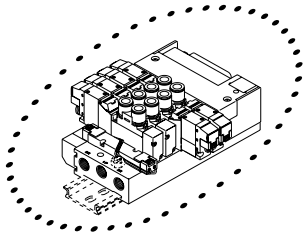
M4GA1  (File name: Page 241 to 242 or Ending 17 to 18)

• Reduced wiring left type (T10/T11/T30/T50/T51/T52/T53)

- This figure shows T30. Refer to Page 198 to 199 about detail dimensions of wiring block.
- For M3GA1, either Port A or B is blanking plug.



• Reduced wiring right type (T10R/T11R/T30R/T50R/T51R/T52R/T53R)



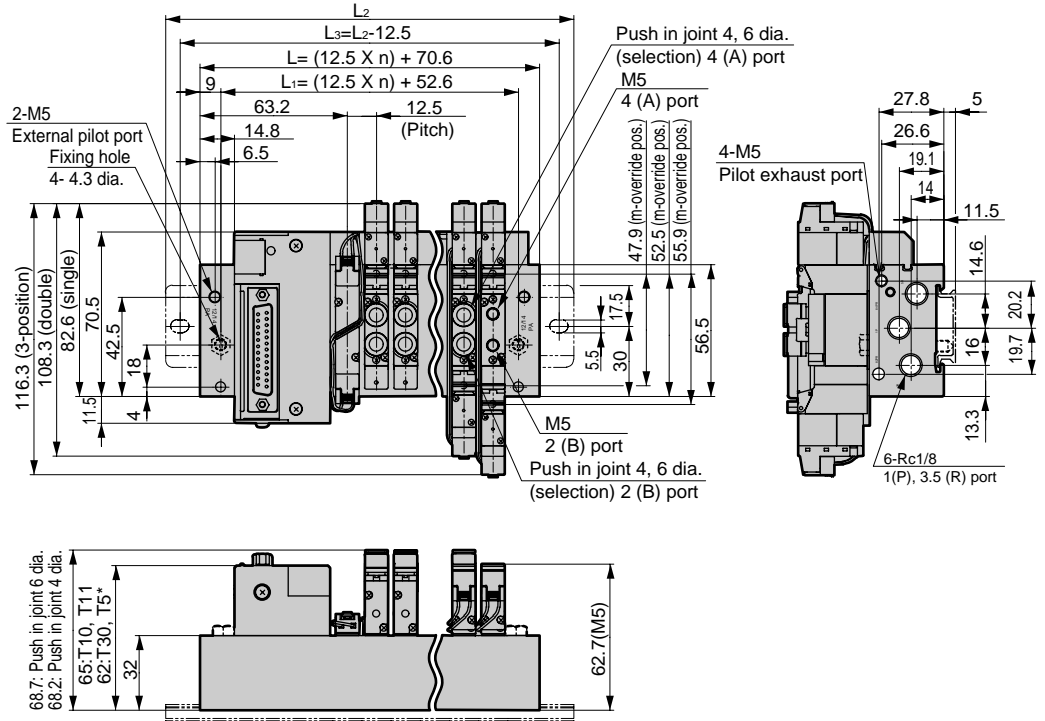
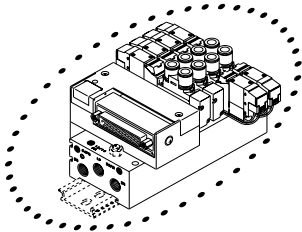
Station #	2	3	4	5	6	7	8	9	10	11	12	13	14	15	16	17	18	19	20
L	90.6	103.1	115.6	128.1	140.6	153.1	165.6	178.1	190.6	203.1	215.6	228.1	240.6	253.1	265.6	278.1	290.6	303.1	315.6
L ₁	75.6	88.1	100.6	113.1	125.6	138.1	150.6	163.1	175.6	188.1	200.6	213.1	225.6	238.1	250.6	263.1	275.6	288.1	300.6
L ₂	137.5	150.0	162.5	175.0	187.5	200.0	212.5	225.0	237.5	250.0	262.5	275.0	287.5	300.0	312.5				
L ₃	125.0	137.5	150.0	162.5	175.0	187.5	200.0	212.5	225.0	237.5	250.0	262.5	275.0	287.5	300.0				

Dimensions

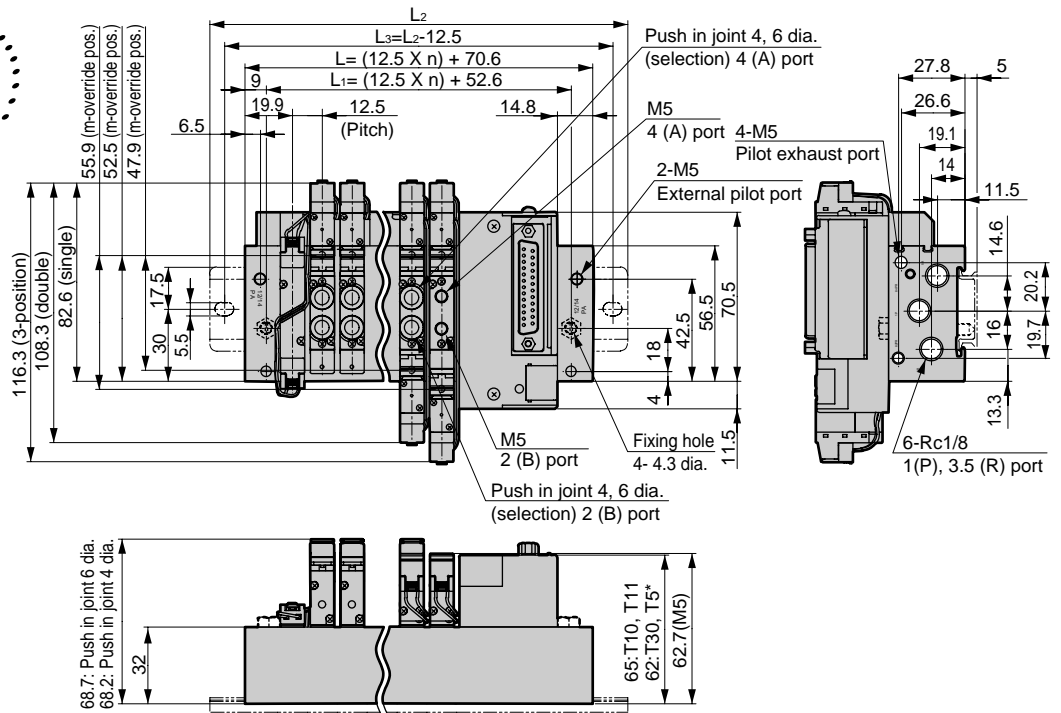
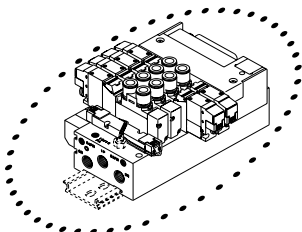
M4GA1 (File name: Page 241 to 242 or Ending 17 to 18)

- Reduced wiring left type (T10/T11/T30/T50/T51/T52/T53)
External pilot (K)

- This figure shows T30. Refer to Page 198 to 199 about detail dimensions of wiring block.
- For M3GA1, either Port A or B is blanking plug.



- Reduced wiring right type (T10R/T11R/T30R/T50R/T51R/T52R/T53R)
External pilot (K)



Station #	2	3	4	5	6	7	8	9	10	11	12
L	95.6	108.1	120.6	133.1	145.6	158.1	170.6	183.1	195.6	208.1	220.6
L ₁	77.6	90.1	102.6	115.1	127.6	140.1	152.6	165.1	177.6	190.1	202.6
L ₂	137.5	150.0	162.5	175.0	187.5	200.0	212.5	225.0	237.5	250.0	262.5
L ₃	125.0	137.5	150.0	162.5	175.0	187.5	200.0	212.5	225.0	237.5	250.0

4SA/B0
4SA/B1
4GA/B
MN4GA/B
4GA/B (master)
MN3S0/
MN4S0
4TB
4L2-4/
LMF0
4KA/B
4F
PV5/
CMF
3MA/B0
3PA/B
P/M/B
NP/NAP/
NVP
4F**0E
HMV/
HSV
Uniwire
system
SKH
PCD/
FS/FD
3, 5 port pilot operated valve
Reduced wiring manifold

M4GA2-T* Series

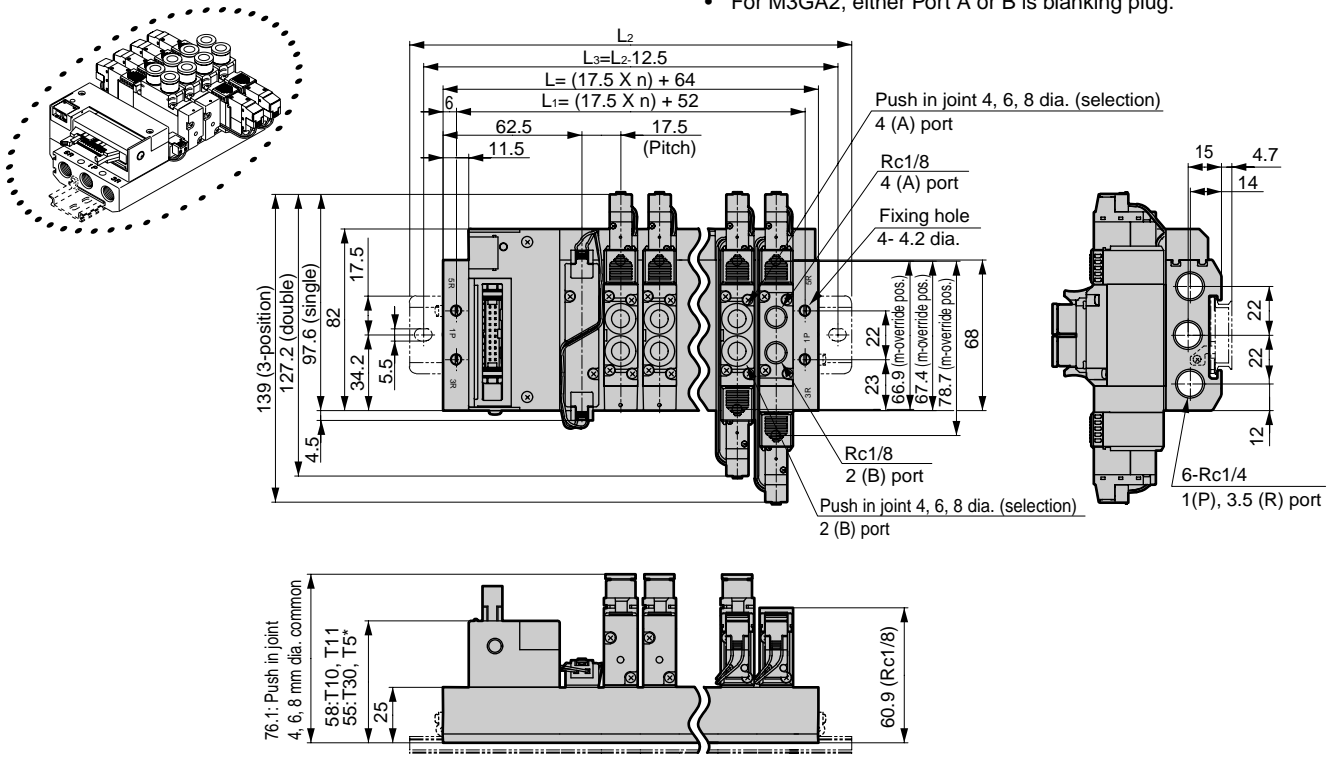
Individual wiring type manifold: Body porting

Dimensions

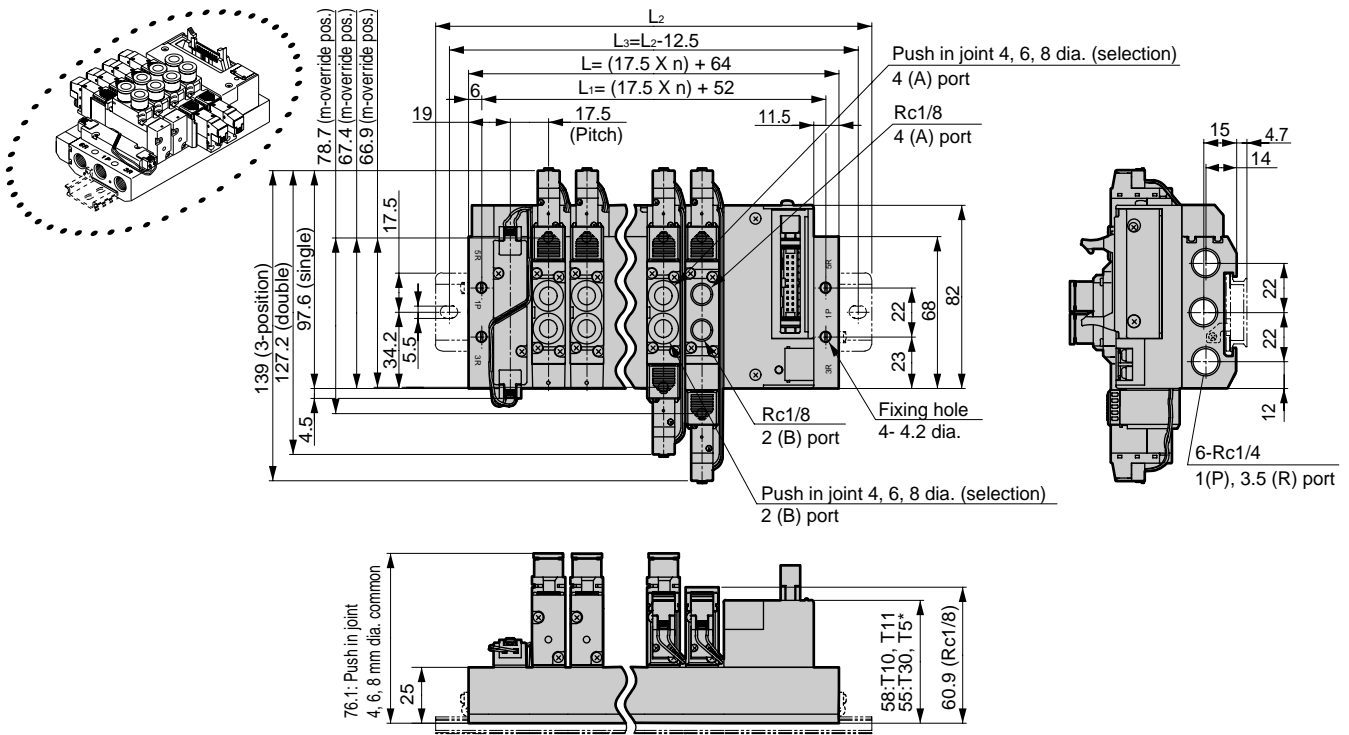
M4GA2  (File name: Page 241 to 242 or Ending 17 to 18)

• Reduced wiring left type (T10/T11/T30/T50/T51/T52/T53)

- This figure shows T30. Refer to Page 198 to 199 about detail dimensions of wiring block.
- For M3GA2, either Port A or B is blanking plug.



• Reduced wiring right type (T10R/T11R/T30R/T50R/T51R/T52R/T53R)



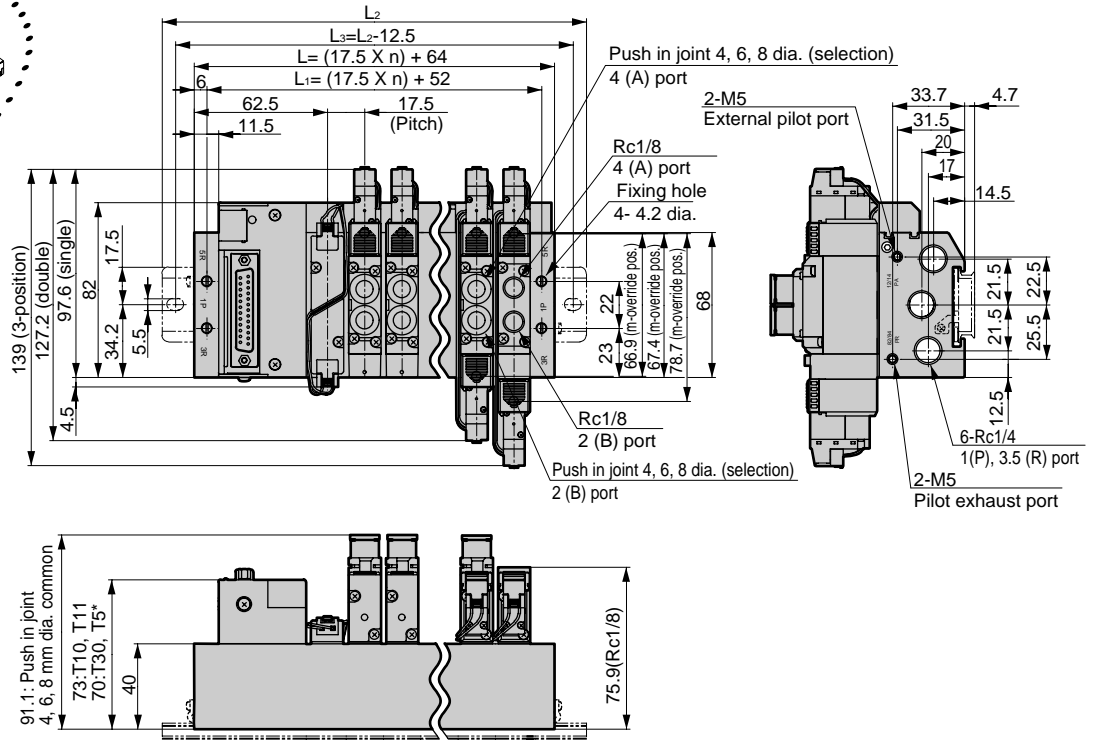
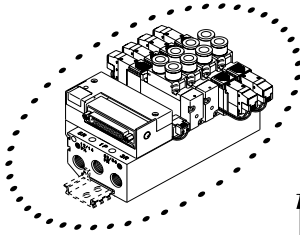
Station #	2	3	4	5	6	7	8	9	10	11	12	13	14	15	16	17	18	19	20
L	99.0	116.5	134.0	151.5	169.0	186.5	204.0	221.5	239.0	256.5	274.0	291.5	309.0	326.5	344.0	361.5	379.0	396.5	414.0
L ₁	87.0	104.5	122.0	139.5	157.0	174.5	192.0	209.5	227.0	244.5	262.0	279.5	297.0	314.5	332.0	349.5	367.0	384.5	402.0
L ₂	150.0	162.5	175.0	200.0	212.5	237.5	250.0	262.5	287.5	300.0	325.0	337.5	350.0	375.0	387.5				
L ₃	137.5	150.0	162.5	187.5	200.0	225.0	237.5	250.0	275.0	287.5	312.5	325.0	337.5	362.5	375.0				

Dimensions

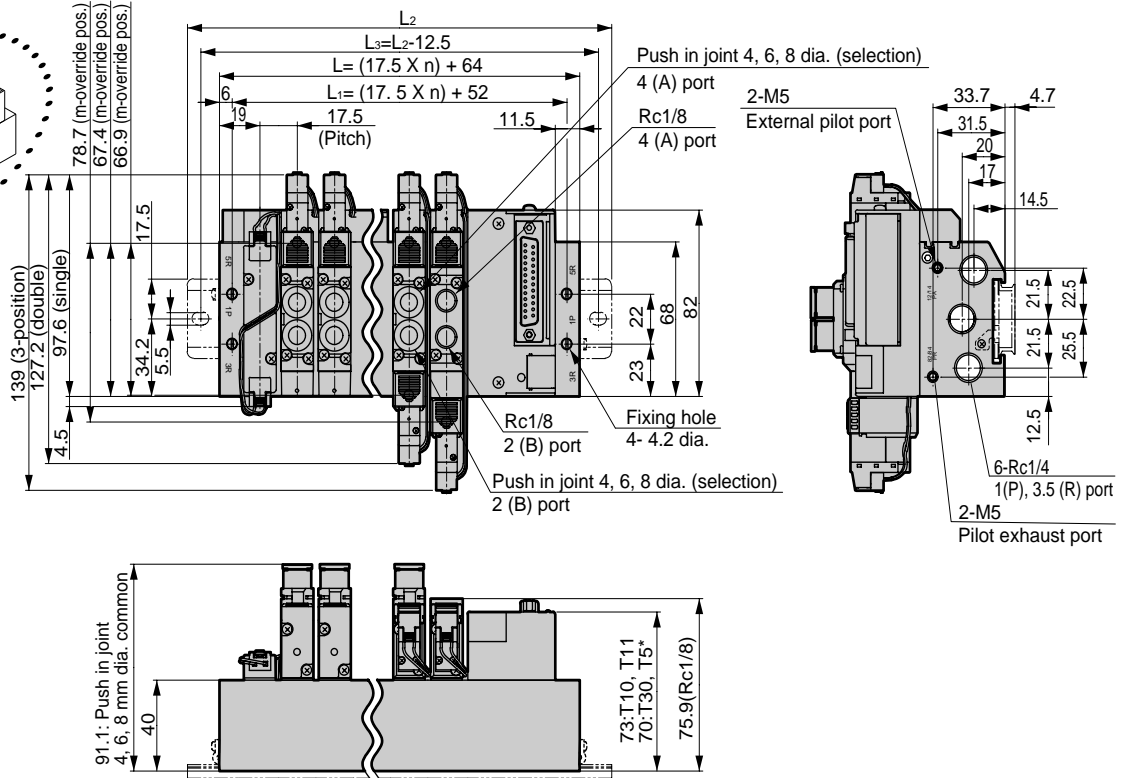
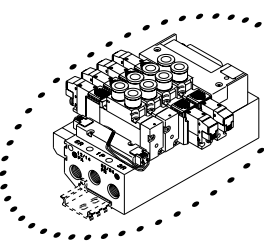
M4GA2  (File name: Page 241 to 242 or Ending 17 to 18)

- Reduced wiring left type (T10/T11/T30/T50/T51/T52/T53)
External pilot (K)

- This figure shows T30. Refer to Page 198 to 199 about detail dimensions of wiring block.
- For M3GA2, either Port A or B is blanking plug.



- Reduced wiring right type (T10R/T11R/T30R/T50R/T51R/T52R/T53R)
External pilot (K)



Station #	2	3	4	5	6	7	8	9	10	11	12	13	14	15	16	17	18	19	20
L	99.0	116.5	134.0	151.5	169.0	186.5	204.0	221.5	239.0	256.5	274.0	291.5	309.0	326.5	344.0	361.5	379.0	396.5	414.0
L ₁	87.0	104.5	122.0	139.5	157.0	174.5	192.0	209.5	227.0	244.5	262.0	279.5	297.0	314.5	332.0	349.5	367.0	384.5	402.0
L ₂	150.0	162.5	175.0	200.0	212.5	237.5	250.0	262.5	287.5	300.0	325.0	337.5	350.0	375.0	387.5				
L ₃	137.5	150.0	162.5	187.5	200.0	225.0	237.5	250.0	275.0	287.5	312.5	325.0	337.5	362.5	375.0				

4SA/B0
4SA/B1
4GA/B
MN4GA/B
4GA/B (master)
MN3S0/
MN4S0
4TB
4L2-4/
LMF0
4KA/B
4F
PV5/
CMF
3MA/B0
3PA/B
P/M/B
NP/NAP/
NVP
4F**0E
HMV/
HSV
Uniwire
system
SKH
PCD/
FS/FD
3, 5 port pilot operated valve
Reduced wiring manifold

M4GA3-T * Series

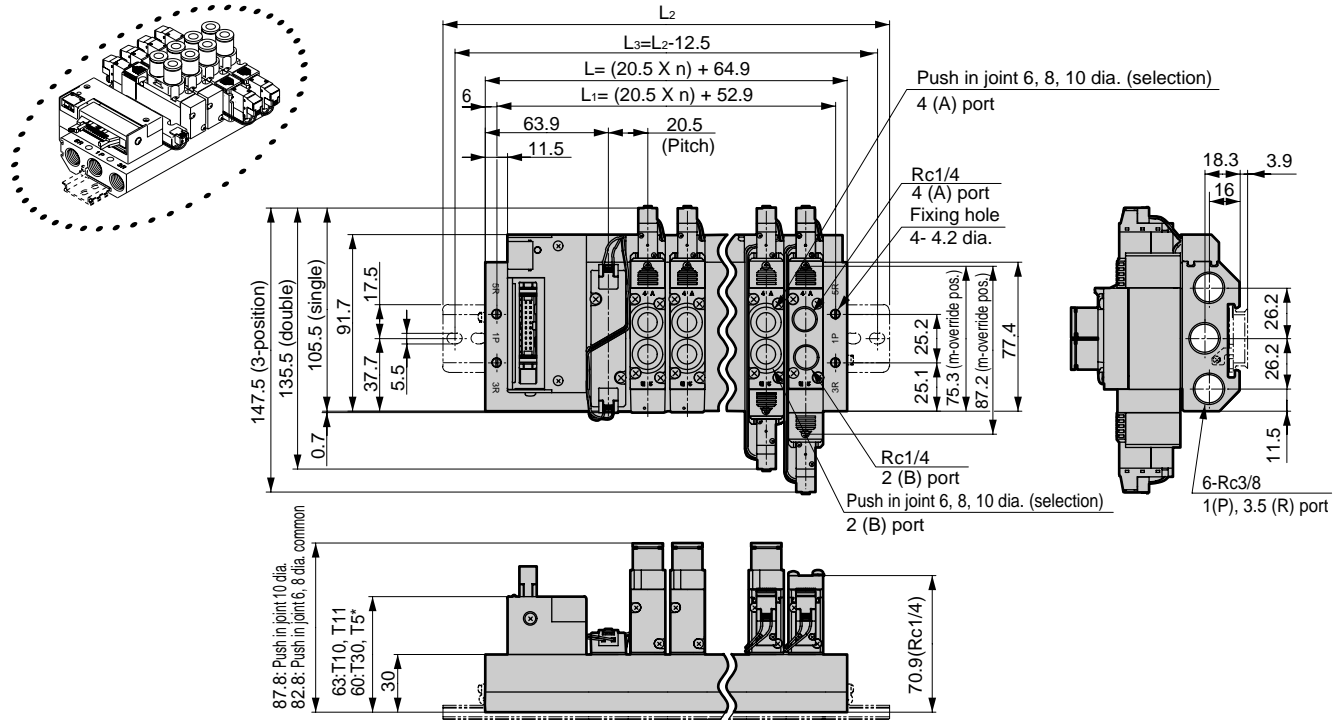
Individual wiring type manifold: Body porting

Dimensions

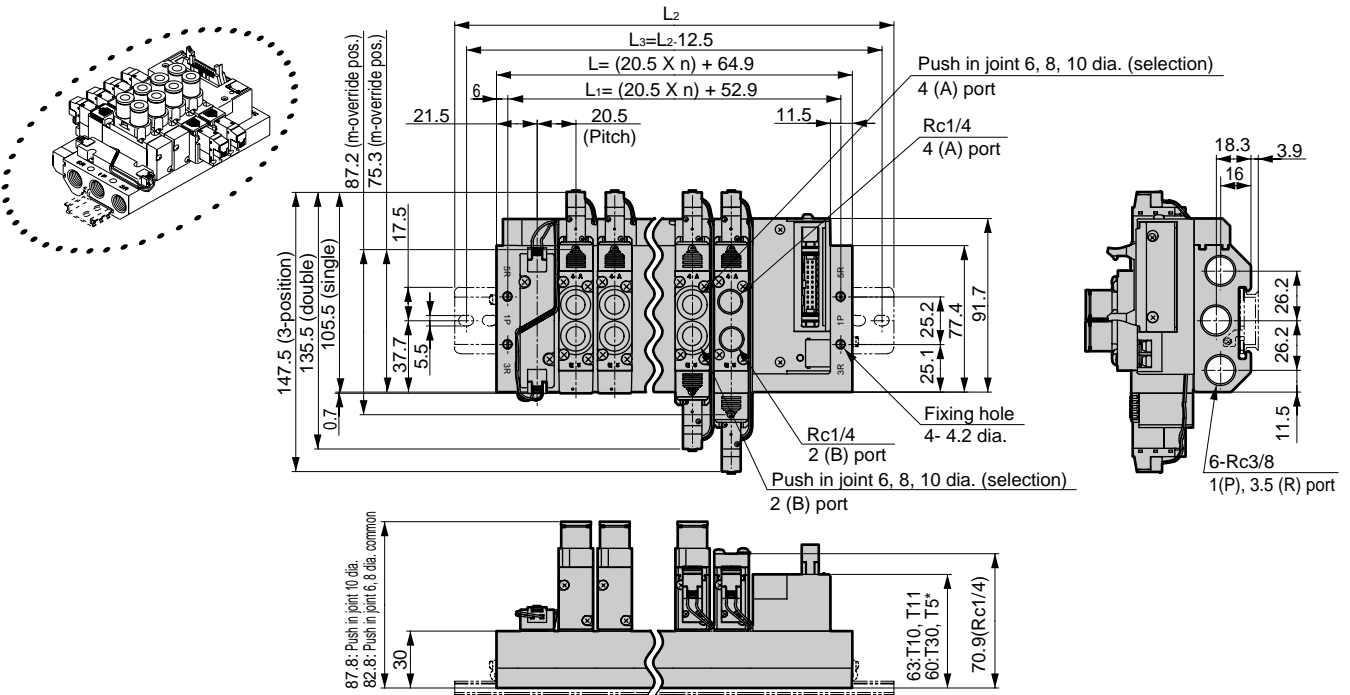
M4GA3  (File name: Page 241 to 242 or Ending 17 to 18)

• Reduced wiring left type (T10/T11/T30/T50/T51/T52/T53)

- This figure shows T30. Refer to Page 198 to 199 about detail dimensions of wiring block.
- For M3GA3, either Port A or B is blanking plug.



• Reduced wiring right type (T10R/T11R/T30R/T50R/T51R/T52R/T53R)



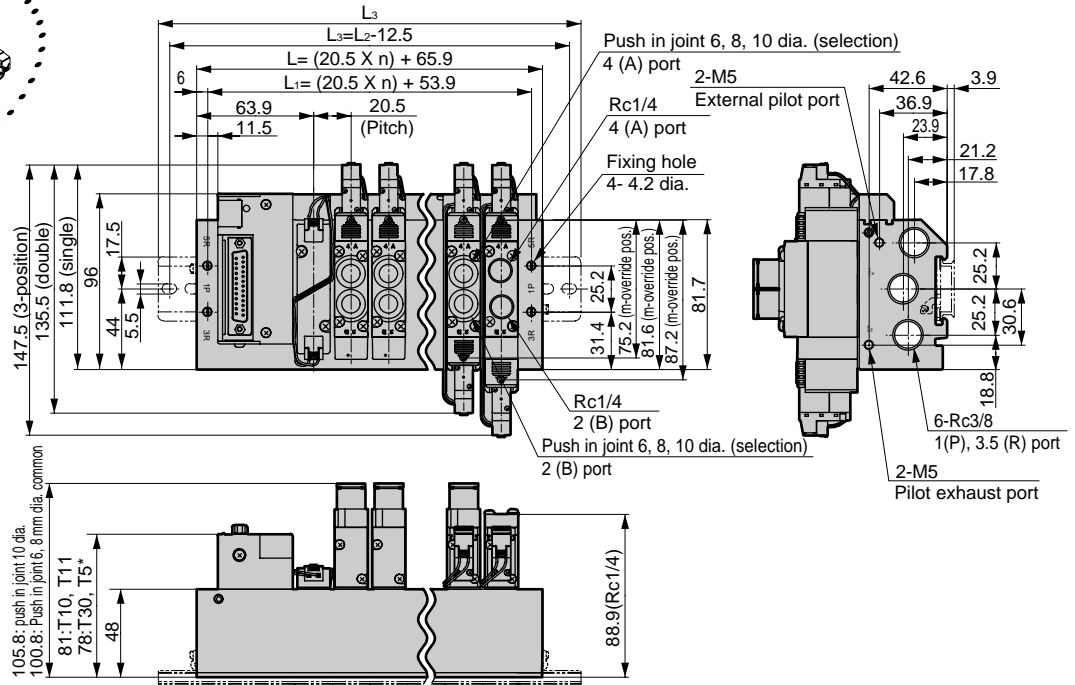
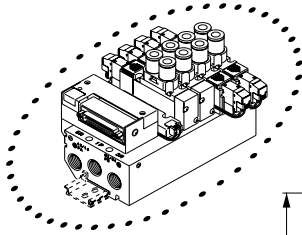
Station #	2	3	4	5	6	7	8	9	10	11	12	13	14	15	16
L	105.9	126.4	146.9	167.4	187.9	208.9	228.9	249.4	269.9	290.4	310.9	331.4	351.9	372.4	392.9
L ₁	93.9	114.4	134.9	155.4	175.9	196.4	216.9	237.4	257.9	278.4	298.9	319.4	339.9	360.4	380.9
L ₂	150.0	175.0	200.0	212.5	237.5	250.0	275.0	300.0	312.5	337.5	362.5	375.0	400.0	425.0	437.5
L ₃	137.5	162.5	187.5	200.0	225.0	237.5	262.5	287.5	300.0	325.0	350.0	362.5	387.5	412.5	425.0

Dimensions

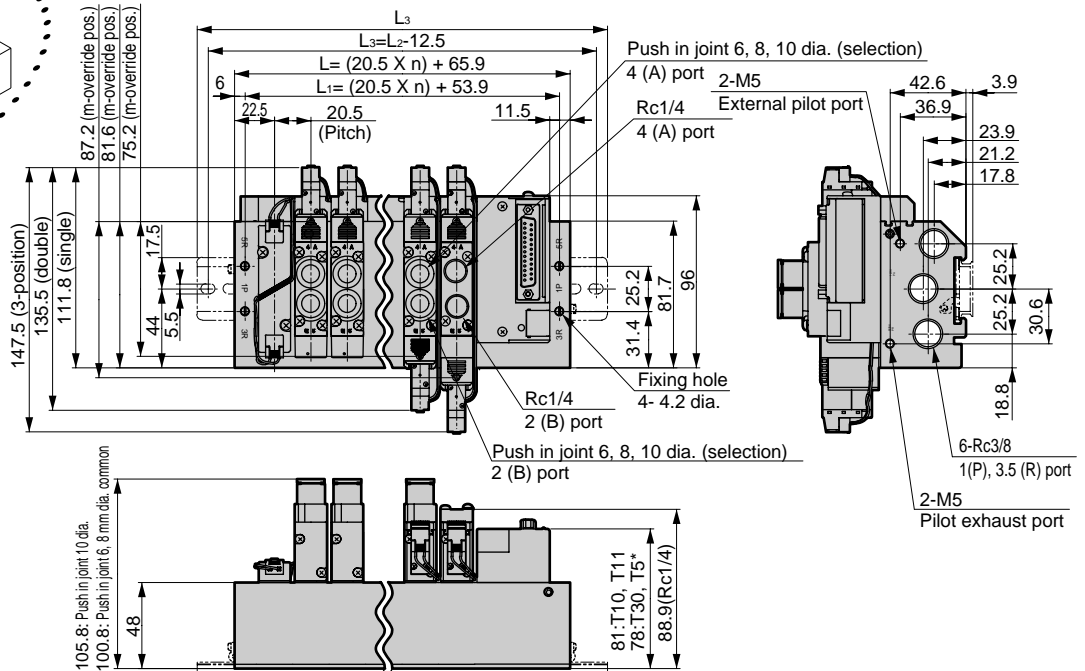
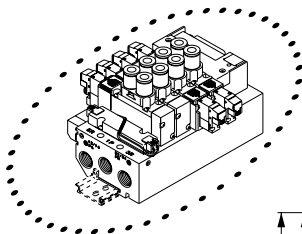
M4GA3 (File name: Page 241 to 242 or Ending 17 to 18)

- Reduced wiring left type (T10/T11/T30/T50/T51/T52/T53)
External pilot (K)

- This figure shows T30. Refer to Page 198 to 199 about detail dimensions of wiring block.
- For M3GA3, either Port A or B is blanking plug.



- Reduced wiring right type (T10R/T11R/T30R/T50R/T51R/T52R/T53R)
External pilot (K)



Station #	2	3	4	5	6	7	8	9	10	11	12	13	14	15	16
L	106.9	127.4	147.9	168.4	188.9	209.4	229.9	250.4	270.9	291.4	311.9	332.4	352.9	373.4	393.9
L ₁	94.9	115.4	135.9	156.4	176.9	197.4	217.9	238.4	258.9	279.4	299.9	320.4	340.9	361.4	381.9
L ₂	150.0	175.0	200.0	212.5	237.5	250.0	275.0	300.0	312.5	337.5	362.5	375.0	400.0	425.0	437.5
L ₃	137.5	162.5	187.5	200.0	225.0	237.5	262.5	287.5	300.0	325.0	350.0	362.5	387.5	412.5	425.0

4SA/B0

4SA/B1

4GA/B

MN4GA/B

4GA/B (master)

MN3S0/ MN4S0

4TB

4L2-4/ LMFO

4KA/B

4F

PV5/ CMF

3MA/B0

3PA/B

P/M/B

NP/NAP/ NVP

4F**0E

HMV/ HSV

Uniwire system

SKH

PCD/ FS/FD

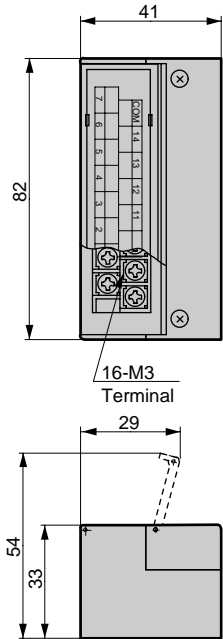
3, 5 port pilot operated valve
Reduced wiring manifold

M4GA-T * Series

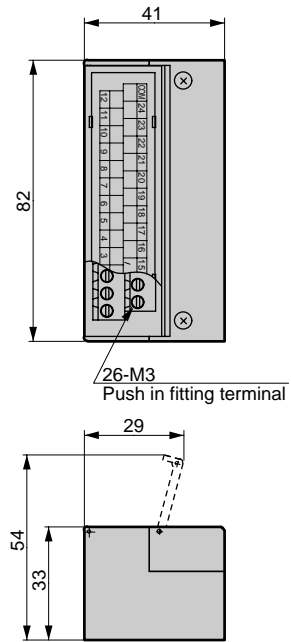
Individual wiring type manifold: Body porting

Wiring block: Dimensions

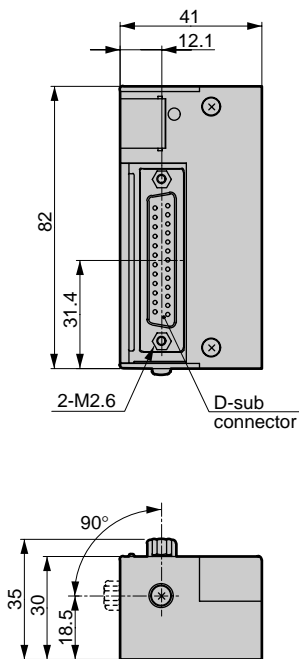
- Common gland (M3 screw) T10



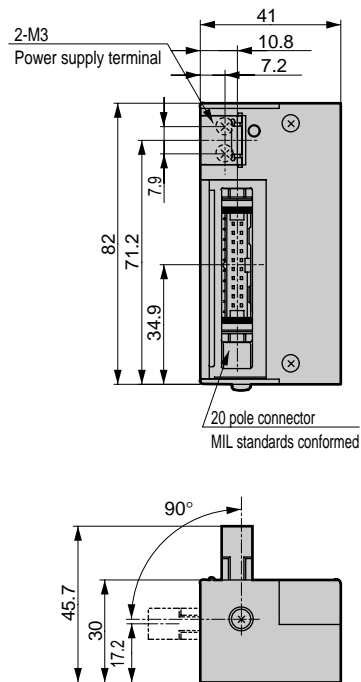
- Common gland (push in fitting) T11



- D-sub connector T30

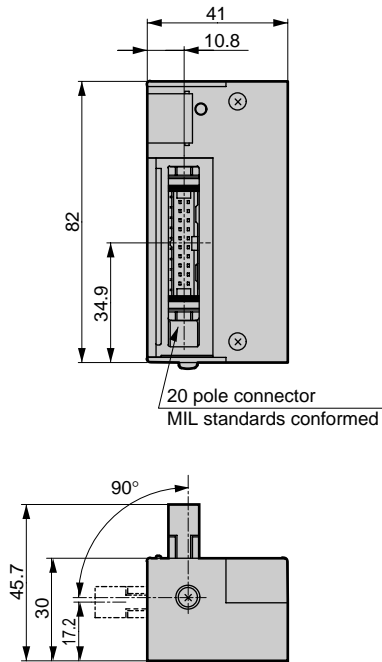


- 20-pin flat cable connector (power supply terminal) T50

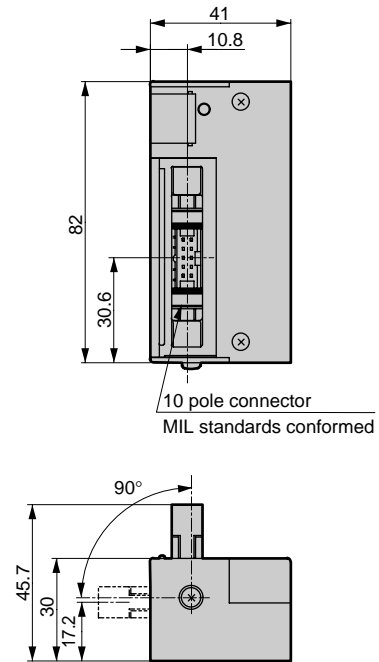


Wiring block: Dimensions

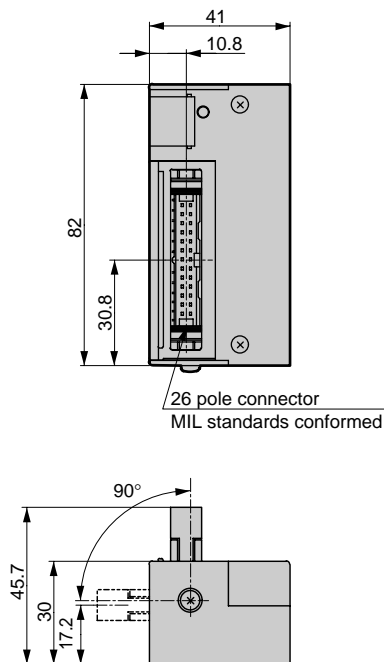
- 20-pin flat cable connector (no power supply terminal) T51



- 10-pin flat cable connector (no power supply terminal) T52



- 26-pin flat cable connector (no power supply terminal) T53



4SA/B0

4SA/B1

4GA/B

MN4GA/B

4GA/B
(master)

MN3S0/
MN4S0

4TB

4L2-4/
LMF0

4KA/B

4F

PV5/
CMF

3MA/B0

3PA/B

P/M/B

NP/NAP/
NVP

4F**0E

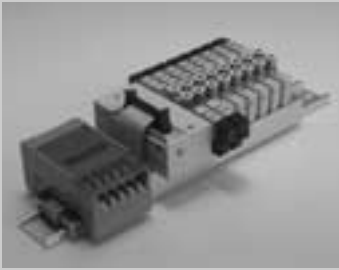
HMV/
HSV

Uniwire
system

SKH

PCD/
FS/FD

3, 5 port pilot operated valve
Reduced wiring manifold



Reduced wiring type manifold (Serial transmission) Body porting DIN rail mount type **M4GA1/2/3-T6D Series**

• Applicable cylinder bore size: 20 to 100 mm



CAD DATA AVAILABLE.

Manifold common specifications

Descriptions		
Manifold type		Serial transmission integrated type base
Installation method		DIN rail mount
Air supply/exhaust air method		Common supply/exhaust (check valve incorporated)
Pilot exhaust method	Internal pilot	Main/pilot valves common exhaust (pilot exhaust check valve incorporated)
	External pilot	Main valve/pilot valve individual exhaust
Piping direction		Valve top direction

Other specifications are as same as M4GA (Page 156).

Please refer to Page 90 about JIS symbol.

Electrical specifications

Descriptions		
Rated voltage V	DC	24
Rated voltage fluctuation		±10%
Holding current	A	0.025
Power consumption	W	0.6
Heat proof class		B
Temperature rise °C		50
Surge suppressor		Standard
Indicator		Indicator light

Individual specifications

Descriptions		M4GA1	M4GA2	M4GA3
Max. station number	Standard	16 station	16 station	16 station
	External pilot	12 station		
Max. solenoid number		Depending on slave unit specifications, output No.		
Port size	Port A/B	Push in joint 4, 6 dia. M5	Push in joint 4, 6, 8 dia. Rc1/8	Push in joint 6, 8, 10 dia. Rc1/4
	Port P/R1/R2	Rc1/8	Rc1/4	Rc3/8
Manifold base mass formula (n: Station #) g	Standard	31n+375	56n+444	86n+501
	External pilot	46n+494	98n+615	151n+731

Manifold base mass is the value for DIN rail, wiring block, screw connection specifications with slave unit.

Serial transmission slave unit specifications (please refer to Page 350 about compatible PLC table.)

Descriptions		T621	T631	T6G1	T6K1	T6C0 *1 T6C1	T6A0 *2 T6A1	T6E0 T6E1	T6J0 *2 T6J1
Communication device maker		OMRON SYSBUS/multi link	mitsubishi MELSEC NET/mini-S3	MITSUBISHI CC-Link	KEYENCE KZ-R	OMRON CompoBus/S	UNIWIRESYSTEM	SUNX S-LINK	Uniwire Hsystem
Power voltage	Unit side	DC 24V±10%					DC 24V +10% -5%		
	Valve side	DC 24V +10% -5%					(Unit power supply/valve power supply common terminal)		
Consumption current	Unit side	100mA or less (output all points when ON)					100mA or less (output all points when ON)		
	Valve side	15mA or less (output all points when OFF)					Load current is not included.		
Output No.		16 points				T6 * 0: 8 points T6 * 1: 16 points			
Operating indication		LED (power supply and communication status)							

*1. Not compatible with long distance communication mode. Consult with CKD about compatibility.

*2. Transmission point: 128 points, transmission distance: 200m. Consult with CKD about other specifications.

M4GA1/2/3-T6D Series

Reduced wiring type manifold: Body porting: Serial transmission

How to order

Manifold model No.

M4GA1 1 0 C6 T621 W H D

3 port manifold model No.

M3GA1 1 0 C6 T621 W H D

Discrete valve for base installation

4GA1 1 9 C6 A2N H

Discrete 3 port valve for base installation

3GA1 1 9 C6 A2N H

A Solenoid position

"A2N" shows A type (radial downward) connector, light/surge suppressor, no lead wire.

B Port size

C Serial transmission
Zener diode for surge suppressor is used.

D Terminal/connector pin Array

E Option

F Station #

G Voltage

• Complete "manifold specification sheet" (Page 236 to 238).

		Model					
		M3GA1	M3GA2	M3GA3	M4GA1	M4GA2	M4GA3
Symbol	Descriptions						
A Solenoid position							
1	2-position single				●	●	●
2	2-position double				●	●	●
3	3-position all ports closed				●	●	●
4	3-position ABR connection				●	●	●
5	3-position PAB connection				●	●	●
1	2-position single solenoid, normally closed	●	●	●			
11	2-position single solenoid, normally open	●	●	●			
8	Mix manifold	●	●	●	●	●	●
B Port size							
Port	Port A/B	Port P/R1/R2 ②=Rc1/8 ③=Rc1/4 ④=Rc3/8					
C4	4 mm push in joint	②	③		②	③	
C6	6 mm push in joint	②	③	④	②	③	④
C8	8 mm push in joint		③	④		③	④
C10	10 mm push in joint			④			④
CX	Push in mix joint	②	③	④	②	③	④
M5	M5	②			②		
06	Rc1/8		③			③	
08	Rc1/4			④			④
C Serial transmission (light/surge suppressor provided as standard)							
T621	OMRON SYSBUS/multi link	●	●	●	●	●	●
T631	MITSUBISHI MELSEC NEC/MINI-S3	●	●	●	●	●	●
T6A0	UNIWIRESYSTEM 8 points	●	●	●	●	●	●
T6A1	UNIWIRESYSTEM 16 points	●	●	●	●	●	●
T6C0	OMRON CompoBus/S8 points	●	●	●	●	●	●
T6C1	OMRON CompoBus/S16 points	●	●	●	●	●	●
T6E0	SUNX S-LINK 8 points	●	●	●	●	●	●
T6E1	SUNX S-LINK 16 points	●	●	●	●	●	●
T6G1	MITSUBISHI CC-Link	●	●	●	●	●	●
T6J0	Uniwire Hsystem 8 points	●	●	●	●	●	●
T6J1	Uniwire Hsystem 16 points	●	●	●	●	●	●
T6K1	Keyence KZ-R	●	●	●	●	●	●
D Terminal/connector pin array							
Blank	Standard wire	Note 1	●	●	●	●	●
W	Double wiring	Note 1	●	●	●	●	●
E Option							
Blank	Blank		●	●	●	●	●
H	Check valve (standard)	Note 2	●	●	●	●	●
K	External pilot	Note 3	●	●	●	●	●
A	Ozone/coolant proof		●	●	●	●	●
F	Filter incorporated in Port A/B (Port P: Provided as standard)		●	●	●	●	●
F Station #							
2	2 station						
to	to						
16	Refer to Page 200 about maximum station number.						
G Voltage							
3	DC24V		●	●	●	●	●

is not available.

Caution for model selection

Note 1. Blank: Wired according to mounted valve type.

W : Not depending on mounted valve type, wire for double solenoid is provided.

Note 2. Check valve specifications (H) are not available for 3-position all ports closed and PAB connection.

Note 3. Consult with CKD about vacuuming of external pilot (K).

4SA/B0

4SA/B1

4GA/B

MN4GA/B

4GA/B (master)

MN3S0/ MN4S0

4TB

4L2-4/ LMF0

4KA/B

4F

PV5/ CMF

3MA/B0

3PA/B

P/M/B

NP/NAP/ NVP

4F**0E

HMV/ HSV

Uniwire system

SKH

PCD/ FS/FD

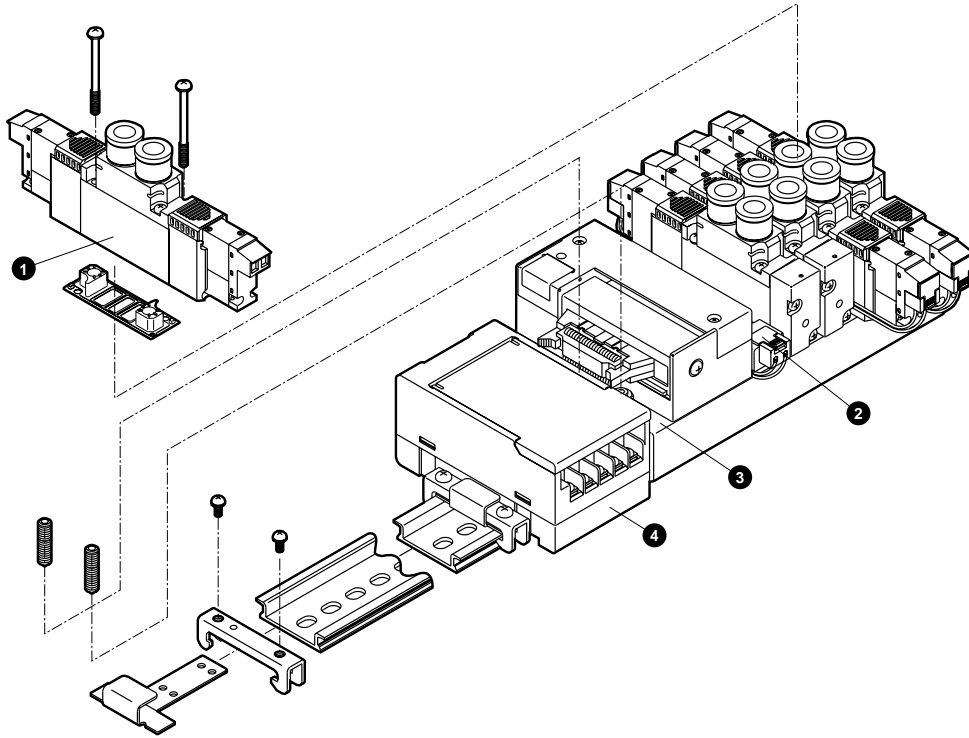
3, 5 port pilot operated valve

Reduced wiring type manifold

M4GA1/2/3-T6D Series

Reduced wiring type manifold: Body porting: Serial transmission

Explanation of manifold components and parts list



Main construction part list

No.	Construction parts name	Model No.	Description	Remarks
1	Discrete valve for base installation	4GA ** 9 - [Port size]-A2N [Option]-[Voltage] Solenoid position Flow rate	Discrete valve Gasket Set screw 2 PR check valve 2	Details Page 201
2	Masking plate	4G1 4G1-MP 4G2 4G2-MP 4G3 4G3-MP	Masking plate Gasket Set screw 2, PR check valves 2	
3	Manifold base assembly	M4GA * -00-[T56] [Option]-[Station #] Flow rate	Manifold base Wiring block	
4	Serial transmission slave unit		OPP3	Consult with CKD.


Repair parts and related part list

No.	Parts name	Model No.	No.	Parts name	Model No.
-	Coil assembly	4G-A2N- * -[COIL]-[Voltage] Blank: Standard A: Ozone proof	-	Cartridge type quick connector and related parts	4G1 4 dia. straight type 4G1-JOINT-C4 6 dia. straight type 4G1-JOINT-C4 Plug cartridge 4G1-JOINT-CPG
-	A-connector Socket assembly Details Page 353	4G * -SOCKET ASSY A- ** -[Manifold No.] Flow rate Blank: Left, R: Right A: ASOL side, b: BSOL side N: Position of valve to be wired	-		4G2 4 dia. straight type 4G2-JOINT-C4 6 dia. straight type 4G2-JOINT-C6 8 dia. straight type 4G2-JOINT-C8 Plug cartridge 4G2-JOINT-CPG
-	Silencer	For M5 : SLM- M5 For Rc1/8 : SLW-6A, SLW-6S For Rc1/4 : SLW-8A, SLW-8S For Rc3/8 : SLW-10A, SLW-10L	-		4G3 6 dia. straight type 4G3-JOINT-C6 8 dia. straight type 4G3-JOINT-C8 10 dia. straight type 4G3-JOINT-C10 Plug cartridge 4G3-JOINT-CPG
-	DIN rail kit	Details Page 81	-		

M4GA1-T6D Series

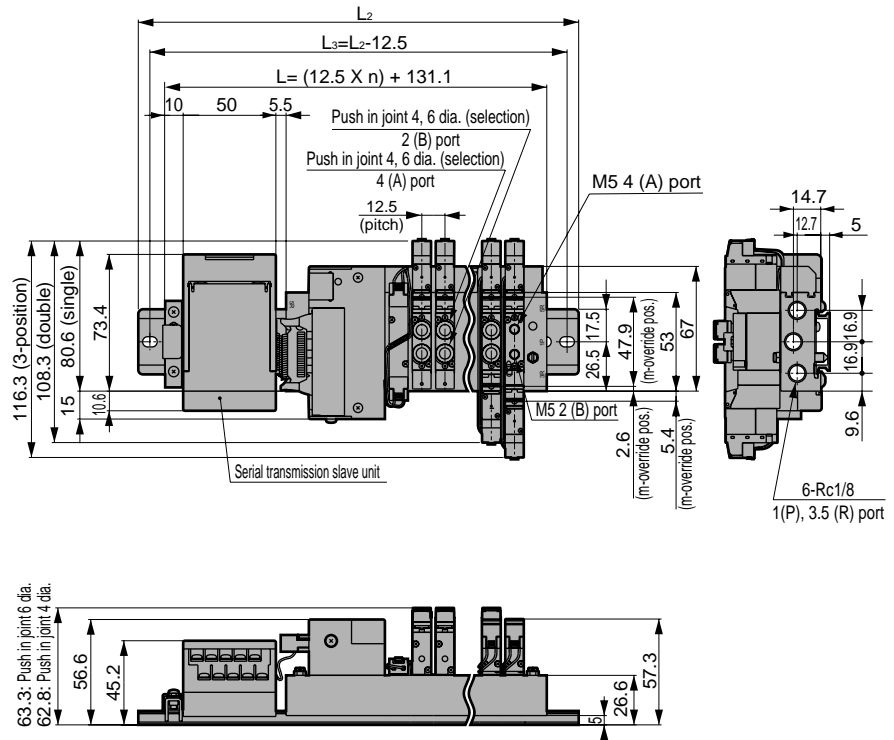
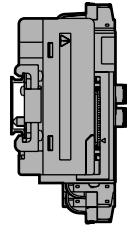
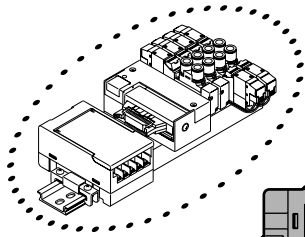
Reduced wiring type manifold: Body porting: Serial transmission

Dimensions

M4GA1  (File name: Page 241 to 242 or Ending 17 to 18)

• For M3GA1, either Port A or B is blanking plug.

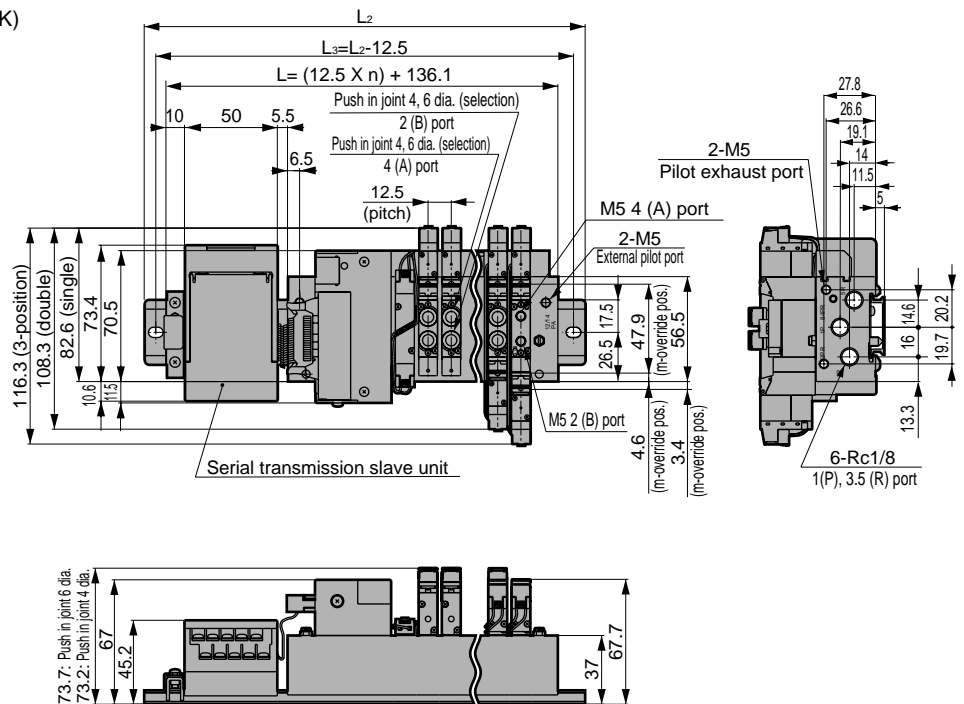
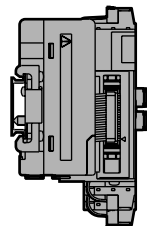
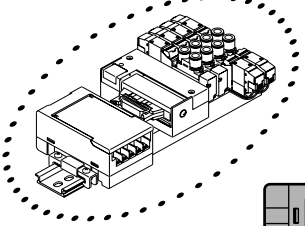
• Serial transmission (T6*)
DIN rail-mounted type (D)



Station #	2	3	4	5	6	7	8	9	10	11	12	13	14	15	16
L	156.1	168.6	181.1	193.6	206.1	218.6	231.1	243.6	256.1	268.6	281.1	293.6	306.1	318.6	331.1
L ₂	200.0	212.5	225.0	237.5	250.0	262.5	275.0	287.5	300.0	312.5	325.0	337.5	350	362.5	375
L ₃	187.5	200.0	212.5	225.0	237.5	250.0	262.5	275.0	287.5	300.0	312.5	325	337.5	350	362.5

M4GA1

• Serial transmission (T6*)
DIN rail-mounted type (D): External pilot (K)



Station #	2	3	4	5	6	7	8	9	10	11	12
L	161.1	173.6	186.1	198.6	211.1	223.6	236.1	248.6	261.1	273.6	286.1
L ₂	212.5	225.0	237.5	250.0	262.5	275.0	287.5	300.0	312.5	325.0	337.5
L ₃	200.0	212.5	225.0	237.5	250.0	262.5	275.0	287.5	300.0	312.5	325.0

4SA/B0

4SA/B1

4GA/B

MN4GA/B

4GA/B (master)

MN3S0/ MN4S0

4TB

4L2-4/ LMFO

4KA/B

4F

PV5/ CMF

3MA/B0

3PA/B

P/M/B

NP/NAP/ NVP

4F**0E

HMV/ HSV

Uniwire system

SKH


PCD/ FS/ FD

3, 5 port pilot operated valve
Reduced wiring type manifold

M4GA2-T6D Series

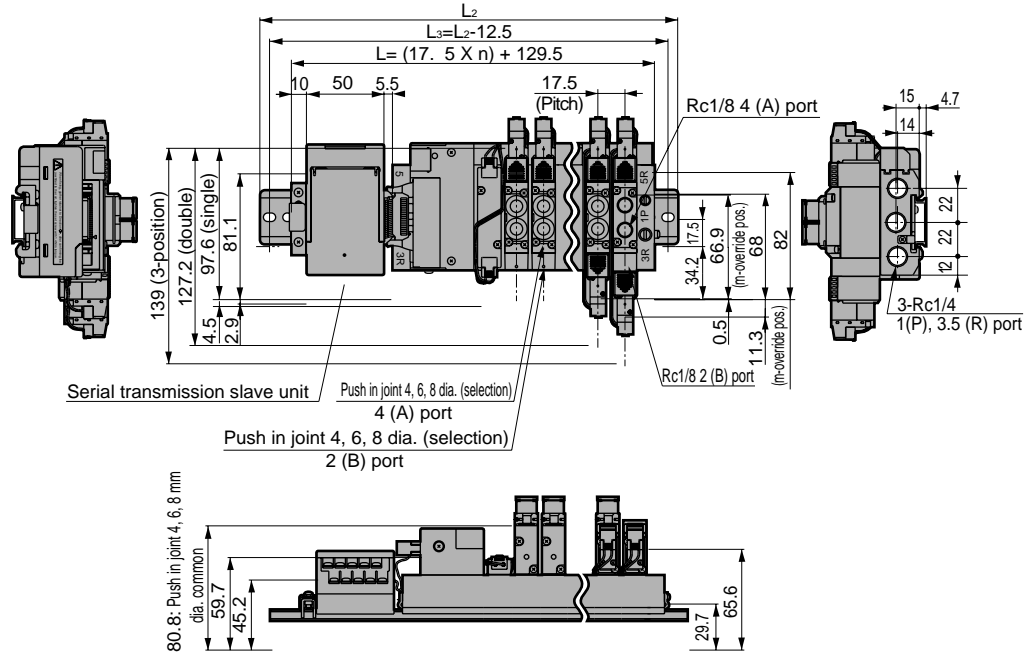
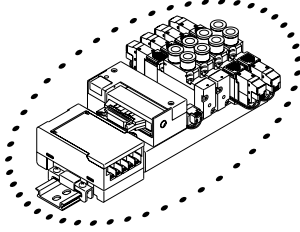
Reduced wiring type manifold: Body porting: Serial transmission

Dimensions

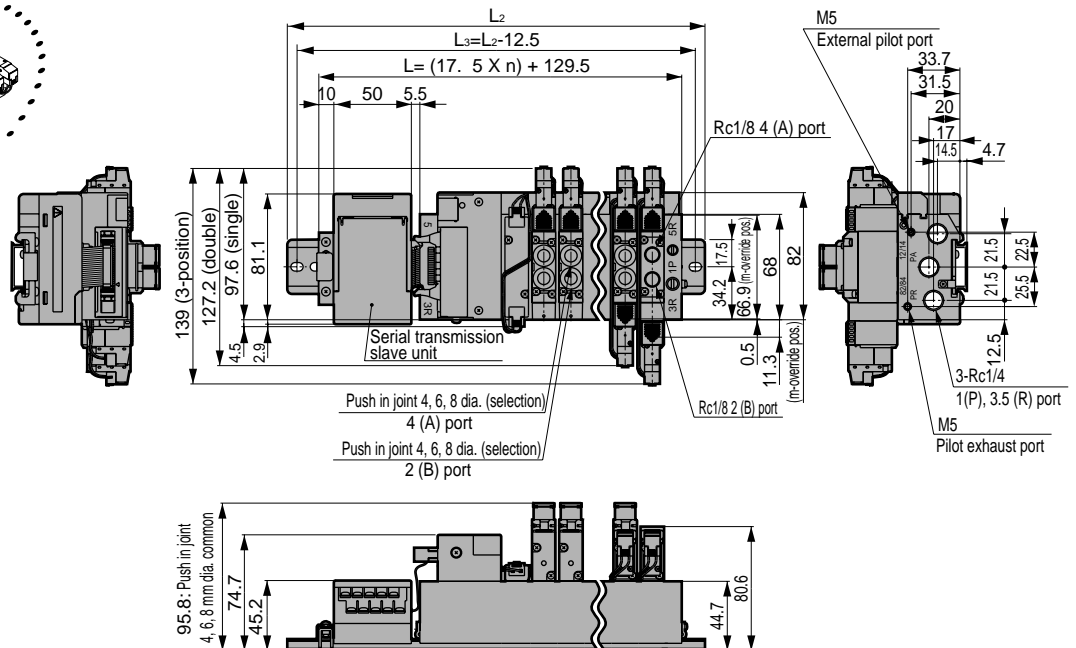
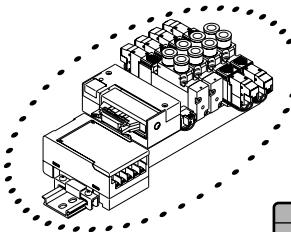
M4GA2  (File name: Page 241 to 242 or Ending 17 to 18)

- Serial transmission (T6*)
- DIN rail-mounted type (D)

• For M3GA2, either Port A or B is blanking plug.



- Serial transmission (T6*)
- DIN rail-mounted type (D): External pilot (K)



Station #	2	3	4	5	6	7	8	9	10	11	12	13	14	15	16
L	164.5	182.0	199.5	217.0	234.5	252.0	269.5	287.0	304.5	322.0	339.5	357.0	374.5	392.0	409.5
L ₂	212.5	225.0	250.0	262.5	275.0	300.0	312.5	337.5	350.0	362.5	387.5	400.0	425.0	437.5	450.0
L ₃	200.0	212.5	237.5	250.0	262.5	287.5	300.0	325.0	337.5	350.0	375.0	387.5	412.5	425.0	437.5

M4GA3-T6D Series

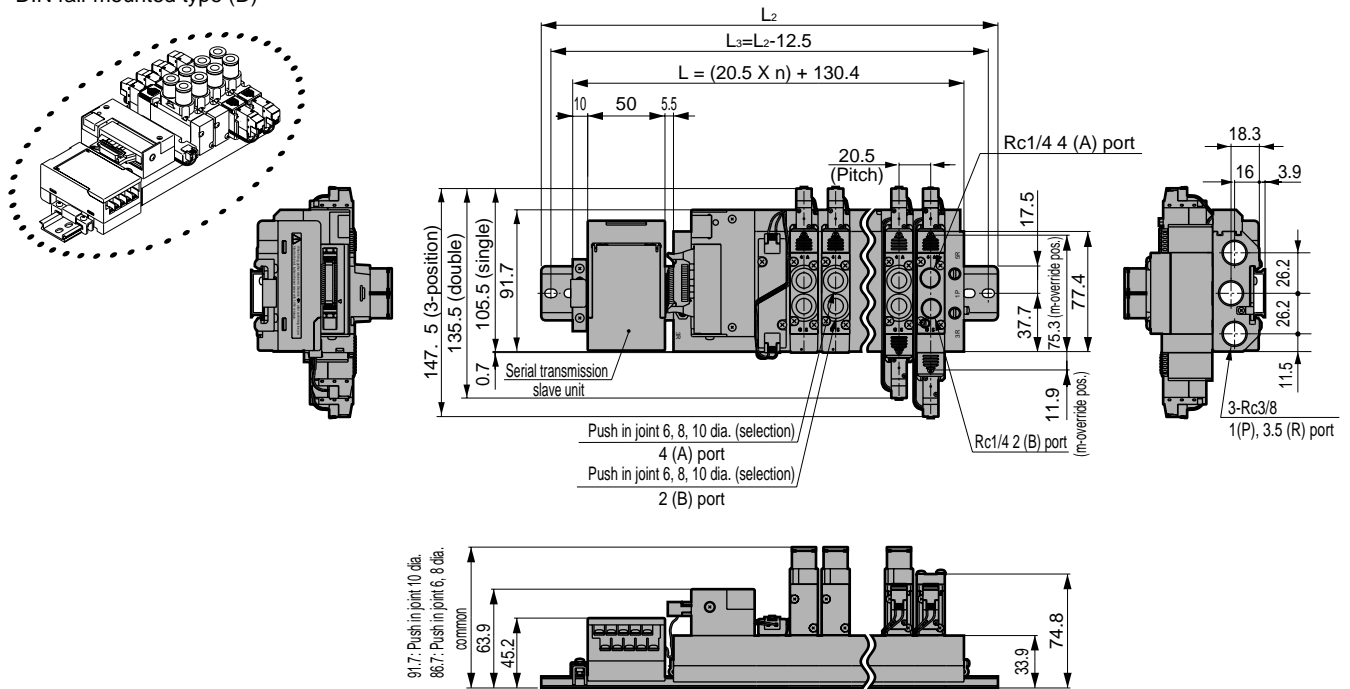
Reduced wiring type manifold: Body porting: Serial transmission

Dimensions

M4GA3 (File name: Page 241 to 242 or Ending 17 to 18)

- Serial transmission (T6*)
- DIN rail-mounted type (D)

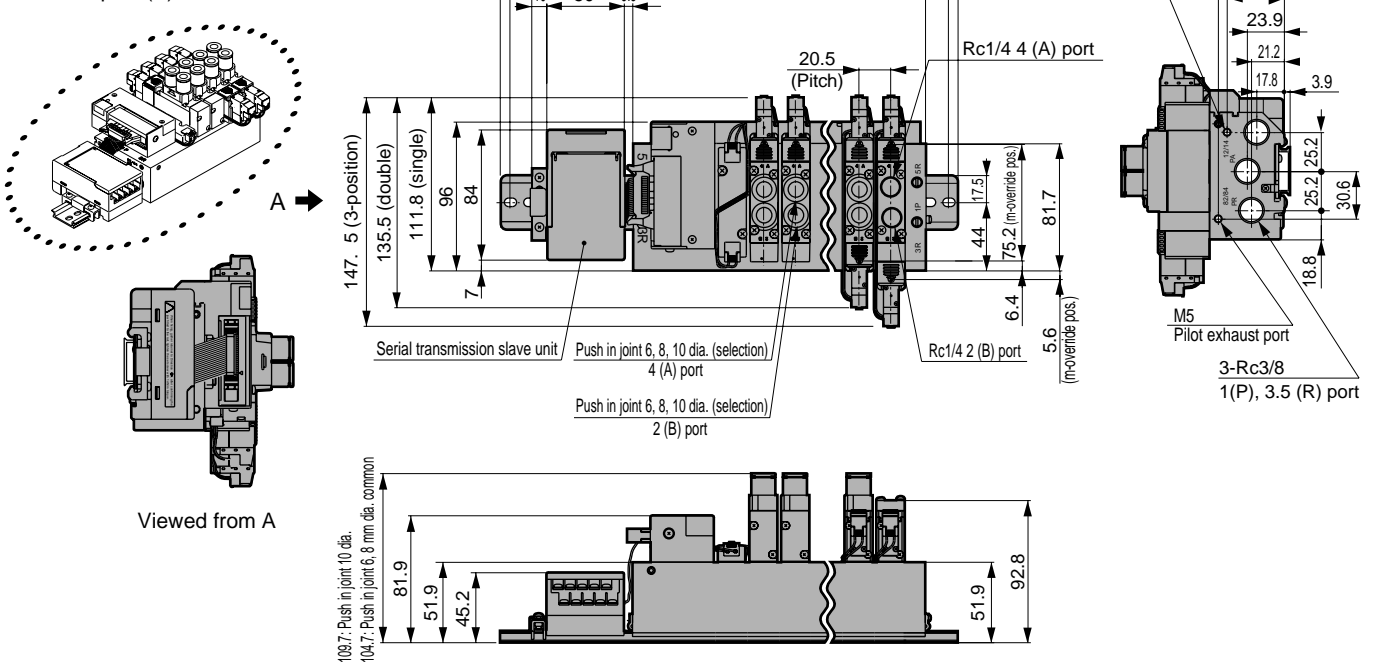
• For M3GA3, either Port A or B is blanking plug.



Station #	2	3	4	5	6	7	8	9	10	11	12	13	14	15	16
L	171.4	191.9	212.4	232.9	253.4	273.9	294.4	314.9	335.4	355.9	376.4	396.9	417.4	437.9	458.4
L ₂	212.5	237.5	262.5	275.0	300.0	325.0	337.5	362.5	387.5	400.0	425.0	437.5	462.5	487.5	500.0
L ₃	200.0	225.0	250.0	262.5	287.5	312.5	325.0	350.0	375.0	387.5	412.5	425.0	450.0	475.0	487.5

M4GA3

- Serial transmission (T6*)
- DIN rail-mounted type (D):
- External pilot (K)



Station #	2	3	4	5	6	7	8	9	10	11	12	13	14	15	16
L	172.4	192.9	213.4	233.9	254.4	274.9	295.4	315.9	336.4	356.9	377.4	397.9	418.4	438.9	459.4
L ₂	212.5	237.5	262.5	275.0	300.0	325.0	337.5	362.5	387.5	400.0	425.0	450.0	462.5	487.5	500.0
L ₃	200.0	225.0	250.0	262.5	287.5	312.5	325.0	350.0	375.0	387.5	412.5	437.5	450.0	475.0	487.5

4SA/B0

4SA/B1

4GA/B

MN4GA/B

4GA/B (master)

MN3S0/ MN4S0

4TB

4L2-4/ LMFO

4KA/B

4F

PV5/ CMF

3MA/B0

3PA/B

P/M/B

NP/NAP/ NVP

4F**0E

HMV/ HSV

Uniwire system

SKH

PCD/ FS/FD

3, 5 port pilot operated valve
Reduced wiring type manifold

M4GA/M4GB Series

Related products

- Air supply spacer

How to order

Air supply spacer model No.



A Air supply spacer model

B Port size
Note 1

C Set screw

		Valve model			
		4GA2	4GB2	4GA3	4GB3
A	Air supply spacer model				
	2	4G2	●		
	3	4G3		●	
B	Port size				
	Blank	Rc screw	①	②	
	GWS6	6 mm dia. joint	●		
	GWS8	8 mm dia. joint	●	●	
	GWS10	10 mm dia. joint		●	
C	Set screw				
	Blank		●	●	
	A	4GA3 Port A/B: Rc1/4 screws		●	Note 3

Symbol	Descriptions				
A	Air supply spacer model				
2	4G2				
3	4G3				
B	Port size				
Blank	Rc screw	①	②		
GWS6	6 mm dia. joint	●			
GWS8	8 mm dia. joint	●	●		
GWS10	10 mm dia. joint		●		
C	Set screw				
Blank		●	●		
A	4GA3 Port A/B: Rc1/4 screws		●	Note 3	

is not available.

Attached: Set screw 2 pcs. (Note 2), PR check valve 2 pcs., body gasket 1pc.

⚠ Cautions for model selection

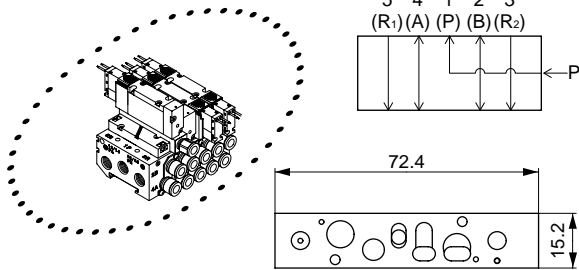
Note 1. When blank, (1)Rc1/8 (2)Rc1/4"

Note 2, Note 3

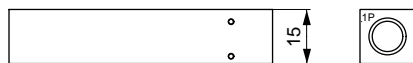
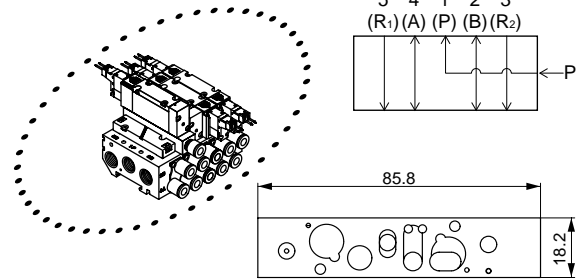
Only using 4GA3 ** -08 for sub base installation, please indicate "A".

(Different length of valve set screw).

• 4G2

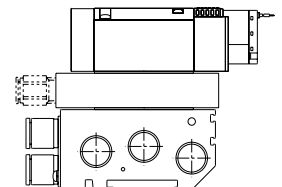
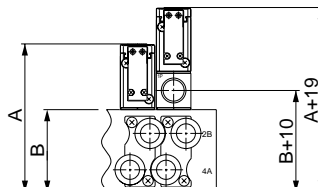
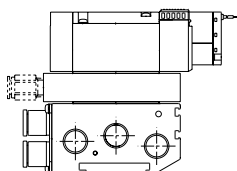
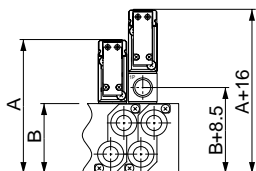


• 4G3



Dimensions for installation

Dimensions for installation

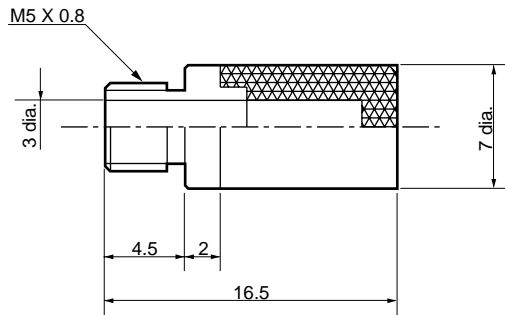


• For A, B dimensions, confirm dimensions according to specifications.

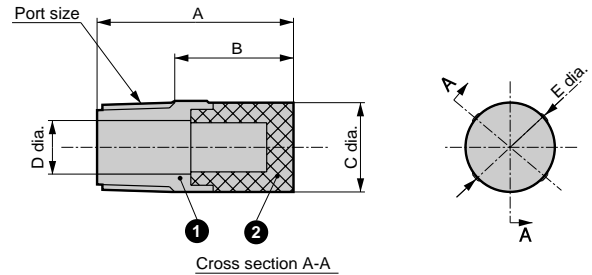
Related products

• Silencer

• SLM-M5

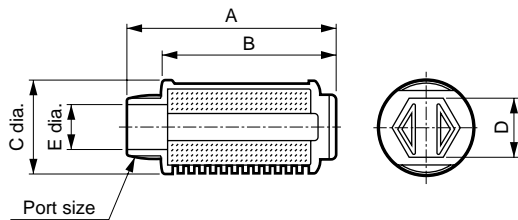


• SLW-6S, 8S



Model No.	Port size	A	B	C	D	E
SLW-6S	R1/8	22	13.3	10.5	6	10.5
SLW-8S	R1/4	28	19	14.8	9	15.4

• SLW-6A, 8A, 10A, 10L

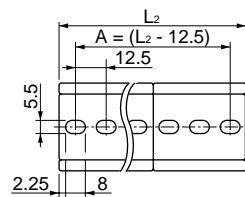


Symbol	Damping effect dB(A)	Ef. sect. area mm ²	A	B	C	D	E	Port size
Model No.								A
SLW-6A	30 over	10	34.5	28	16.5	10	7	R1/8
SLW-8A	30 over	20	44.5	36	20	13	8.5	R1/4
SLW-10A	30 over	30	58.5	48.5	25.5	17	12	R3/8
SLW-10L	30 over	60	69	59	28	19	12	R3/8

• Plugs

Part name	Model No.	Appearance
Blanking plug	GWP-4B	
	GWP-6B	
	GWP-8B	
	GWP-10B	
Screw plug	4G1-M5P	 (FPL-M5)
	4G2-06P	
	4G3-08P	Plug with hexagon head hole

• DIN rail



L1: Manifold length	L2: Rail length	A: Mounting pitch
110 or less	150	137.5
110 over and 122.5 or less	162.5	150
122.5	135	175
135	147.5	187.5
147.5	160	200
160	172.5	212.5
172.5	185	225
185	197.5	237.5
197.5	210	250
210	222.5	262.5
222.5	235	275
235	247.5	287.5
247.5	260	300
260	272.5	312.5
272.5	285	325
285	297.5	337.5
297.5	310	350
310	322.5	362.5
322.5	335	375
335	347.5	387.5
347.5	360	400
360	372.5	412.5
372.5	385	425
385	397.5	437.5
397.5	410	450
410	422.5	462.5
422.5	435	475
435	447.5	487.5
447.5	460	500
460	472.5	512.5
472.5	485	525
485	497.5	537.5
497.5	510	550

When more than 510, round the value with multiple of 12.5.

4SA/B0

4SA/B1

4GA/B

MN4GA/B

4GA/B (master)

MN3S0/ MN4S0

4TB

4L2-4/ LMF0

4KA/B

4F

PV5/ CMF

3MA/B0

3PA/B

P/M/B

NP/NAP/ NVP

4F**0E

HMV/ HSV

Uniwire system

SKH

PCD/ FS/FD

3, 5 port pilot operated valve
Reduced wiring manifold

M4GA/M4GB Series

Manifold specification sheet

How to fill out block manifold metal base M4G series manifold specification sheet

• Manifold model No. (example)

Cautions for mix joint CX

Indicate port size "CX" to select mix joint of Port A/B.

M 4 G^A_B 1 8 0 - CX - T30 - 9 - 3

Solenoid valve type Solenoid position Port size Electric connection Terminal connector pin array Station # Voltage

Available cartridge joint	
4G1	C4, C6, X (plug)
4G2	C4, C6, C8, X (plug)
4G3	C6, C8, C10, X (plug)

How to use sub base porting type M4GB* 10 as 3 port valve

Installing plug cartridge onto either side of Port A/B, the valve can be used as NO/NC type.

Indicate "X" in joint CX column.

Switchover method	Plug installation port
NC (Normally closed)	B
NO (Normally open)	A

When female thread specifications, indicate required plug quantity on the end of column of "screw plug". Female thread and cartridge joint cannot be used together in the same manifold.

About elbow type specifications

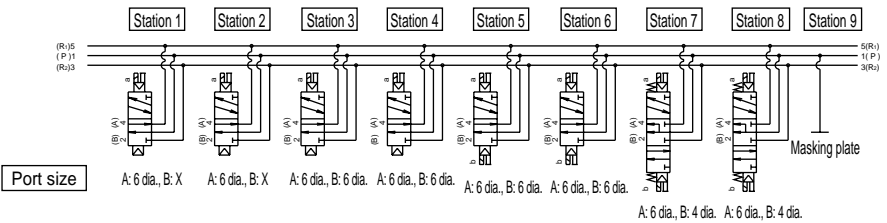
- Only for single solenoid manifold. Port A: Long elbow, Port B: Short elbow.
- When elbow type specifications, Port A/B sizes are same. When either Port A or B is "X" plugged, the other side is short elbow.

Cautions for reserved wire

- (1) For T30/T50/T51 type, preparing to change single to double solenoid, reserved wire is provided. Consult with CKD. Indicate expansion position (changing single to double sol). Circle on wiring specifications column as reservation mark, and identify a or b sol side.
- (2) For masking plate, reserved wire is provided. (Refer to Page 352) Number of reserved wire is automatically selected when selecting masking plate. 4G * -MP (S): 1 piece 4G * -MP (D): 2 pieces

Solenoid valve model No.	Joint CX		Installation location																								Usage	
	A	B	1	2	3	4	5	6	7	8	9	10	11	12	13	14	15	16	17	18	19	20	21	22	23	24		
4G ^B 119-CX	C6	X	○	○																								2
4G ^B 119-C6					○	○																						2
4G ^B 129-C6							○	○																				2
4G ^B 159-CX	C6	C4							○	○																		2
4G ^B 19																												
3GA1 9																												
Masking plate 4G1-MP(S)																												1
Masking plate 4G1-MP(D)										○																		
Mounting rail	L ₂ =	Accessories	Blanking plug GWP4-B		Blanking plug GWP6-B		Screw plug 4G1-M5P		Silencer SLW-6S		Silencer SLW-6A																	

References circuit diagram Simple circuit diagram of manifold model No. mentioned above. (example)



• Station No., viewed from piping port, is allocated from left.

• Wiring specifications (Not required when standard wire. To be indicated when wiring order or extension cable designation.)

Connector pin No.	T50/T50R/T6*	Installation location																
		1	2	3	4	5	6	7	8	9	10	11	12	13	14	15	16	17
1	1	a																
2	14		a															
3	3			a														
4	15				b													
5	4					a												
6	5						b											
7	16							a										
8	6								b									
9	7									a								
10	17										b							
11	8											a						
12	9												b					
13	10													a				
14	11														b			
15	12															a		
16	13																b	
17	14																	a
18	15																	
19	16																	
20	17																	
21	18																	
22	19																	
23	20																	
24	21																	
25	22																	
13 (COM)	23																	
	24																	
	25																	

• For wiring method T50 type, polarity of COM is + (plus).
• When wiring method T50, connector pin No.9, 10, 19, 20 are not available because of using external input power supply.

M4GA1/M4GB1 Series

Manifold specification sheet (individual wiring)

Individual wiring

M4G^A_B1 manifold specifications sheet

Issue / /

Your company name _____

• Contact _____ • Quantity _____ Set _____ • Request date / /

Slip No.	Order No.
----------	-----------

Contact _____

Order No. _____

• Manifold model No.

M **G^A_B1** **0-** - - -

Solenoid valve type Solenoid position Port size Electric connection Other options Mount type Station # Voltage

Solenoid valve model No.	Joint CX		Valve installation location																								Usage		
	A	B	1	2	3	4	5	6	7	8	9	10	11	12	13	14	15	16	17	18	19	20	21	22	23	24			
4G-1-9-																													
4G-1-9-																													
4G-1-9-																													
4G-1-9-																													
3GA1-9-																													
3GA1-9-																													
Masking plate 4G1-MP-																													
Mounting rail	L ₂ =	Accessories	Blanking plug		Blanking plug		Screw plug		Silencer		Silencer																		
			GWP4-B		GWP6-B		4G1-M5P		SLW-6S		SLW-6A																		

4SA/B0

4SA/B1

4GA/B

MN4GA/B

4GA/B (master)

MN3S0/ MN4S0

4TB

4L2-4/ LMFO

4KA/B

4F

PV5/ CMF

3MA/B0

3PA/B

P/M/B

NP/NAP/ NVP

4F**0E

HMV/ HSV

Uniwire system

SKH

PCD/ FS/FD

3, 5 port pilot operated valve
Individual wiring manifold

M4GA2/M4GB2 Series

Manifold specification sheet

Individual wiring

M4G^A_B 2 manifold specification sheets

Issue / /

Your company name

• Contact • Quantity Set • Request date / /

Slip No. Order No.

Contact

Order No.

• Manifold model No.

M^A_B 2 0- - - - - - -

Solenoid valve type Solenoid position Port size Electric connection Other options Mount type Station # Voltage

Solenoid valve model No.	Joint CX		Valve installation location																								Usage
	A	B	1	2	3	4	5	6	7	8	9	10	11	12	13	14	15	16	17	18	19	20	21	22	23	24	
4G ^A _B 2-9-																											
4G ^A _B 2-9-																											
4G ^A _B 2-9-																											
4G ^A _B 2-9-																											
4G ^A _B 2-9-																											
3GA2-9-																											
3GA2-9-																											
Masking plate 4G2-MP-																											
Air supply spacer 4G2-P-																											
Air supply spacer 4G2-P-																											
Mounting rail L ₂ =	Accessories	Blanking plug						Screw plug						Silencer													
		GWP4-B		GWP6-B		GWP8-B		4G2-06P						SLW-8S		SLW-8A											

M4GA3/M4GB3 Series

Manifold specification sheet (individual wiring)

Individual wiring

M4G^A_B 3 manifold specification sheets

Issue / /

Your company name

• Contact • Quantity Set • Request date / /

Slip No.	Order No.
----------	-----------

Contact

4SA/B0

Order No.

4SA/B1

• Manifold model No.

M G^A_B 3 0- - - -

Solenoid valve type Solenoid position Port size Electric connection Other options Mount type Station # Voltage

4GA/B

MN4GA/B

Solenoid valve model No.	Joint CX		Valve installation location																								Usage	
	A	B	1	2	3	4	5	6	7	8	9	10	11	12	13	14	15	16	17	18	19	20	21	22	23	24		
4G <input type="text"/> 3 <input type="text"/> 9- <input type="text"/>																												
4G <input type="text"/> 3 <input type="text"/> 9- <input type="text"/>																												
4G <input type="text"/> 3 <input type="text"/> 9- <input type="text"/>																												
4G <input type="text"/> 3 <input type="text"/> 9- <input type="text"/>																												
3GA3 <input type="text"/> 9- <input type="text"/>																												
3GA3 <input type="text"/> 9- <input type="text"/>																												
Masking plate 4G3-MP- <input type="text"/>																												
Air supply spacer 4G3-P- <input type="text"/>																												
Air supply spacer 4G3-P- <input type="text"/>																												
Mounting rail	L ₂ = <input type="text"/>	Accessories	Blanking plug						Screw plug						Silencer													
			GWP6-B		GWP8-B		GWP10-B		4G3-08P		SLW-10A		SLW-10L															

4GA/B (master)

MN3S0/
MN4S0

4TB

4L2-4/
LMFO

4KA/B

4F

PV5/
CMF

3MA/B0

3PA/B

P/M/B

NP/NAP/
NVP

4F**0E

HMV/
HSV

Uniwire
system

SKH

PCD/
FS/FD

3, 5 port pilot operated valve
Individual wiring manifold

M4GA3/M4GB3-T1/3 Series

Manifold specification sheet

Reduced wiring

M4GA_B3-T1/3 manifold specification sheets

Issue / /

Your company name

• Contact • Quantity Set • Request date / /

Slip No.	Order No.
Contact	Order No.

• Manifold model No.

M G_BA3 0- - - -

Solenoid valve type Solenoid position Port size Reduced wiring connection Terminal connector pin array Option Mount type Station # Voltage

Solenoid valve model No.	Joint CX		Valve installation location																								Usage
	A	B	1	2	3	4	5	6	7	8	9	10	11	12	13	14	15	16	17	18	19	20	21	22	23	24	
4G	3	9																									
4G	3	9																									
4G	3	9																									
4G	3	9																									
4G	3	9																									
3GA3	9																										
3GA3	9																										
Masking plate 4G3-MP(S)-																											
Masking plate 4G3-MP(D)-																											
Air supply spacer 4G3-P-																											
Air supply spacer 4G3-P-																											
Mounting rail	L ₂ =		Blanking plug									Screw plug					Silencer										
			GWP6-B			GWP8-B			GWP10-B			4G3-08P					SLW-10A					SLW-10L					

• Wiring specifications (not required when STD/double wiring, while required when indicating wire sequence or extension cable)

Connector pin No.			Installation location																								
T10/T10R	T11/T11R	T30/T30R	1	2	3	4	5	6	7	8	9	10	11	12	13	14	15	16	17	18	19	20	21	22	23	24	
1	1	1																									
2	2	14																									
3	3	2																									
4	4	15																									
5	5	3																									
6	6	16																									
7	7	4																									
8	8	17																									
9	9	5																									
10	10	18																									
11	11	6																									
12	12	19																									
13	13	7																									
14	14	20																									
COM	15	8																									
COM	16	21																									
	17	9																									
	18	22																									
	19	10																									
	20	23																									
	21	24																									
	22	11																									
	23	24																									
	24	12																									
	COM	25																									
	COM	13 (COM)																									

M4GA1/M4GB1-T5 Series

Manifold specification sheet (reduced wiring)

Reduced wiring

M4G^A_B1-T5 manifold specification sheet

Issue / / /

Your company name _____

•Contact •Quantity Set •Request date / /

Slip No. Order No.

Contact _____

4SA/B0

Order No. _____

4SA/B1

•Manifold model No.

M **G**^A_B1 **0**- - - -

Solenoid valve type Solenoid position Port size Reduced wiring connection Terminal connector pin array Option Mount type Station # Voltage

4GA/B

Solenoid valve model No.	Joint CX		Valve installation location																								Usage				
	A	B	1	2	3	4	5	6	7	8	9	10	11	12	13	14	15	16	17	18	19	20	21	22	23	24					
4G: <input type="text"/> 9: <input type="text"/>																															
4G: <input type="text"/> 9: <input type="text"/>																															
4G: <input type="text"/> 9: <input type="text"/>																															
4G: <input type="text"/> 9: <input type="text"/>																															
3GA1 <input type="text"/> 9: <input type="text"/>																															
3GA1 <input type="text"/> 9: <input type="text"/>																															
Masking plate 4G1-MP(S)- Masking plate 4G1-MP(D)-																															
Mounting rail	L2= <input type="text"/>	Accessories	Blanking plug GWP4-B				Blanking plug GWP6-B				Screw plug 4G1-M5P				Silencer SLW-6S				Silencer SLW-6A												

MN4GA/B

4GA/B (master)

MN3S0/
MN4S0

4TB

4L2-4/
LMF0

4KA/B

4F

PV5/
CMF

3MA/B0

3PA/B

P/M/B

• Wiring specifications (not required when standard/double wiring, while required when indicating wire sequence or extension cable)

Connector pin No.				Installation location																										
T50/T50R	T51/T51R	T52/T52R	T53/T53R	1	2	3	4	5	6	7	8	9	10	11	12	13	14	15	16	17	18	19	20	21	22	23	24			
1	1	1	1																											
2	2	2	2																											
3	3	3	3																											
4	4	4	4																											
5	5	5	5																											
6	6	6	6																											
7	7	7	7																											
8	8	8	8																											
9 - Power supply	9	9	COM	9																										
10 + (COM) power supply	10	10	COM	10																										
11	11		11																											
12	12		12																											
13	13		13																											
14	14		14																											
15	15		15																											
16	16		16																											
17	17		17																											
18	18		18																											
19 - Power supply	19	COM	19																											
20 + (COM) power supply	20	COM	20																											
			21																											
			22																											
			23																											
			24																											
			25	COM																										
			26	COM																										

NP/NAP/
NVP

4F**0E

HMV/
HSV

Uniwire
system

SKH

PCD/
FS/FD

3, 5 port pilot operated valve
Reduced wiring manifold

• : When wiring method T50 type, polarity of COM is + (plus).
• : When wiring method T50, since connector pin No. 9, 10, 19, 20 are used for external input power supply, they are not available.

Reduced wiring

M4G ^A/_B 3-T5 manifold specification sheet

Issue / /

Your company name _____

• Contact _____ • Quantity _____ Set _____ • Request date / / _____

Slip No. _____	Order No. _____
----------------	-----------------

Contact _____

Order No. _____

4SA/B0
4SA/B1
4GA/B

• Manifold model No.

M ^A/_B 3 0- - - - - - - -

Solenoid valve type Solenoid position Port size Reduced wiring connection Terminal connector pin array Option Mount type Station # Voltage

Solenoid valve model No.	Joint CX		Valve installation location																								Usage			
	A	B	1	2	3	4	5	6	7	8	9	10	11	12	13	14	15	16	17	18	19	20	21	22	23	24				
	4G: 3: 9:																													
4G: 3: 9:																														
4G: 3: 9:																														
4G: 3: 9:																														
4G: 3: 9:																														
3GA3 9:																														
3GA3 9:																														
Masking plate 4G3-MP(S)-																														
Masking plate 4G3-MP(D)-																														
Air supply spacer 4G3-P-																														
Air supply spacer 4G3-P-																														
Mounting rail	L ₂ =	Accessories	Blanking plug				Screw plug				Silencer																			
			GWP6-B		GWP8-B		GWP10-B		4G3-08P		SLW-10A				SLW-10L															

MN4GA/B
4GA/B (master)
MN3S0/
MN4S0
4TB
4L2-4/
LMFO
4KA/B
4F
PV5/
CMF
3MA/B0
3PA/B
P/M/B

• Wiring specifications (not required when standard/double wiring, while required when indicating wire sequence or extension cable)

Connector pin No				Installation location																									
T50/T50R	T51/T51R	T52/T52R	T53/T53R	1	2	3	4	5	6	7	8	9	10	11	12	13	14	15	16	17	18	19	20	21	22	23	24		
1	1	1	1																										
2	2	2	2																										
3	3	3	3																										
4	4	4	4																										
5	5	5	5																										
6	6	6	6																										
7	7	7	7																										
8	8	8	8																										
9 - Power supply	9	9	COM	9																									
10 + (COM) power supply	10	10	COM	10																									
11	11		11																										
12	12		12																										
13	13		13																										
14	14		14																										
15	15		15																										
16	16		16																										
17	17		17																										
18	18		18																										
19 - Power supply	19	COM	19																										
20 + (COM) power supply	20	COM	20																										
			21																										
			22																										
			23																										
			24																										
			25	COM																									
			26	COM																									

NP/NAP/
NVP
4F**0E
HMV/
HSV
Uniwire
system
SKH
PCD/
FS/FD
3, 5 port pilot operated valve
Reduced wiring manifold

• : When wiring method T50, polarity of COM is + (plus).
• : When wiring method T50, since connector pin No. 9, 10, 19, 20 are used for external input power supply, they are not available. 235

M4GA1/M4GB1-T6D Series

Manifold specification sheet

Serial transmission/DIN rail mount type

M4G^A_B1-T6D manifold specification sheet

Issue / / /

Your company name

• Contact _____ • Quantity _____ Set _____ • Request date / /

Slip No. _____ Order No. _____

Contact _____

Order No. _____

• Manifold model No.

M **G^A_B1** **0-** - **D-** - **3**

Solenoid valve type Solenoid position Port size Serial transmission Terminal/connector pin array Option Station # Voltage

Solenoid valve model No.	Joint CX		Valve installation location																Usage	
	A	B	1	2	3	4	5	6	7	8	9	10	11	12	13	14	15	16		
4G	1	9																		
4G	1	9																		
4G	1	9																		
4G	1	9																		
4G	1	9																		
3GA1	9																			
3GA1	9																			
Masking plate 4G1-MP(S)-																				
Masking plate 4G1-MP(D)-																				
Mounting rail	L ₂ =	Accessories	Blanking plug				Blanking plug				Screw plug		Silencer		Silencer					
			GWP4-B				GWP6-B				4G1-M5P		SLW-6S		SLW-6A					

• Wiring specifications (not required when STD/double wiring, while required when indicating wire sequence or extension cable)

Connector pin No.	Installation location																
	T6 *	1	2	3	4	5	6	7	8	9	10	11	12	13	14	15	16
T621: OMRON SYSBUS	1																
	2																
	3																
T631: MITSUBISHI (MELSEC NET)	4																
T6A0: UNIWIRE SYSTEM 8 points	5																
T6A1: UNIWIRE SYSTEM 16 points	6																
T6C0: OMRON CompoBus/S8 point	7																
T6C1: OMRON CompoBus/S16 point	8																
	9 - power supply																
	10 + (COM) power supply																
T6G1: MITSUBISHI (CC-Link)	11																
T6E0: SUNX S-LINK 8 points	12																
T6E1: SUNX S-LINK 16 points	13																
T6J0: Uniwire Hsystem 8 points	14																
T6J1: Uniwire Hsystem 16 points	15																
	16																
T6K1: Keyence KZ-R	17																
	18																
	19 - power supply																
	20 + (COM) power supply																

M4GA2/M4GB2-T6D Series

Manifold specification sheet (serial transmission)

Serial transmission/DIN rail mount type

M4G^A_B2-T6D manifold specification sheet

Issue / /

Your company name

• Contact • Quantity Set • Request date / /

Slip No. Order No.

Contact

Order No.

• Manifold model No.

M G^A_B2 0- - D- - 3

Solenoid valve type Solenoid position Port size Serial transmission Terminal/connector pin array Option Station # Voltage

Solenoid valve model No.	Joint CX		Valve installation location																Usage
	A	B	1	2	3	4	5	6	7	8	9	10	11	12	13	14	15	16	
4G 2 9																			
4G 2 9																			
4G 2 9																			
4G 2 9																			
4G 2 9																			
3GA2 9																			
3GA2 9																			
Masking plate4 G2-MP(S)-																			
Masking plate 4G2-MP(D)-																			
Air supply spacer 4G2-P-																			
Air supply spacer 4G2-P-																			
Mounting rail	L ₂ =	Accessories	Blanking plug						Screw plug				Silencer						
			GWP4-B	GWP6-B	GWP8-B	4G2-06P	SLW-8S	SLW-8A											

4SA/B0

4SA/B1

4GA/B

MN4GA/B

4GA/B (master)

MN3S0/ MN4S0

4TB

4L2-4/ LMFO

4KA/B

4F

PV5/ CMF

3MA/B0

3PA/B

P/M/B

NP/NAP/ NVP

4F**0E

HMV/ HSV

Uniwire system

SKH

PCD/ FS/FD

3, 5 port pilot operated valve
Reduced wiring manifold

• Wiring specifications (not required when STD/double wiring, while required when indicating wire sequence or extension cable)

Connector pin No.		Installation location															
T6 *		1	2	3	4	5	6	7	8	9	10	11	12	13	14	15	16
T621: OMRON SYSBUS	1																
	2																
	3																
T631: MITSUBISHI (MELSEC NET)	4																
T6A0: UNIWIRE SYSTEM 8 points	5																
	6																
T6A1: UNIWIRE SYSTEM 16 points	7																
T6C0: OMRON CompoBus/S8 point	8																
	9	- power supply															
T6C1: OMRON CompoBus/S16 point	10	+ (COM) power supply															
	11																
T6G1: MITSUBISHI (CC-Link)	12																
T6E0: SUNX S-LINK 8 points	13																
T6E1: SUNX S-LINK 16 points	14																
T6J0: Uniwire Hsystem 8 points	15																
	16																
T6J1: Uniwire Hsystem 16 points	17																
	18																
T6K1: Keyence KZ-R	19	- power supply															
	20	+ (COM) power supply															

M4GA3/M4GB3-T6D Series

Manifold specification sheet

Serial transmission/DIN rail mount type

M4G_B^A3-T6D manifold specification sheet

Issue / / /

Your company name

Contact

Order No.

• Contact • Quantity Set • Request date / /

Slip No.	Order No.
----------	-----------

• Manifold model No.

M G_B^A3 0- - D- -

Solenoid valve type Solenoid position Port size Serial transmission Terminal/connector pin array Option Station # Voltage

Solenoid valve model No.	Joint CX		Valve installation location																Usage		
	A	B	1	2	3	4	5	6	7	8	9	10	11	12	13	14	15	16			
4G <input type="text"/> <input type="text"/> <input type="text"/> <input type="text"/>																					
4G <input type="text"/> <input type="text"/> <input type="text"/> <input type="text"/>																					
4G <input type="text"/> <input type="text"/> <input type="text"/> <input type="text"/>																					
4G <input type="text"/> <input type="text"/> <input type="text"/> <input type="text"/>																					
4G <input type="text"/> <input type="text"/> <input type="text"/> <input type="text"/>																					
3GA3 <input type="text"/> <input type="text"/> <input type="text"/> <input type="text"/>																					
3GA3 <input type="text"/> <input type="text"/> <input type="text"/> <input type="text"/>																					
Masking plate 4G3-MP(S)-																					
Masking plate 4G3-MP(D)-																					
Air supply spacer 4G3-P-																					
Air supply spacer 4G3-P-																					
Mounting rail	L ₂ =	Accessories	Blanking plug				Screw plug				Silencer										
			GWP6-B	GWP8-B	GWP10-B		4G3-08P				SLW-10A		SLW-10L								

• Wiring specifications (not required when STD/double wiring, while required when indicating wire sequence or extension cable)

Connector pin No.	Installation location																
	T6 *	1	2	3	4	5	6	7	8	9	10	11	12	13	14	15	16
T621: OMRON SYSBUS	1																
	2																
	3																
T631: MITSUBISHI (MELSEC NET)	4																
	5																
T6A0: UNIWIRE SYSTEM 8 points	6																
T6A1: UNIWIRE SYSTEM 16 points	7																
	8																
T6C0: OMRON CompoBus/S8 point	9																
T6C1: OMRON CompoBus/S16 point	- power supply																
	10 + (COM) power supply																
T6G1: MITSUBISHI (CC-Link)	11																
T6E0: SUNX S-LINK 8 points	12																
	13																
T6E1: SUNX S-LINK 16 points	14																
	15																
T6J0: Uniwire Hsystem 8 points	16																
T6J1: Uniwire Hsystem 16 points	17																
	18																
T6K1: Keyence KZ-R	- power supply																
	20 + (COM) power supply																