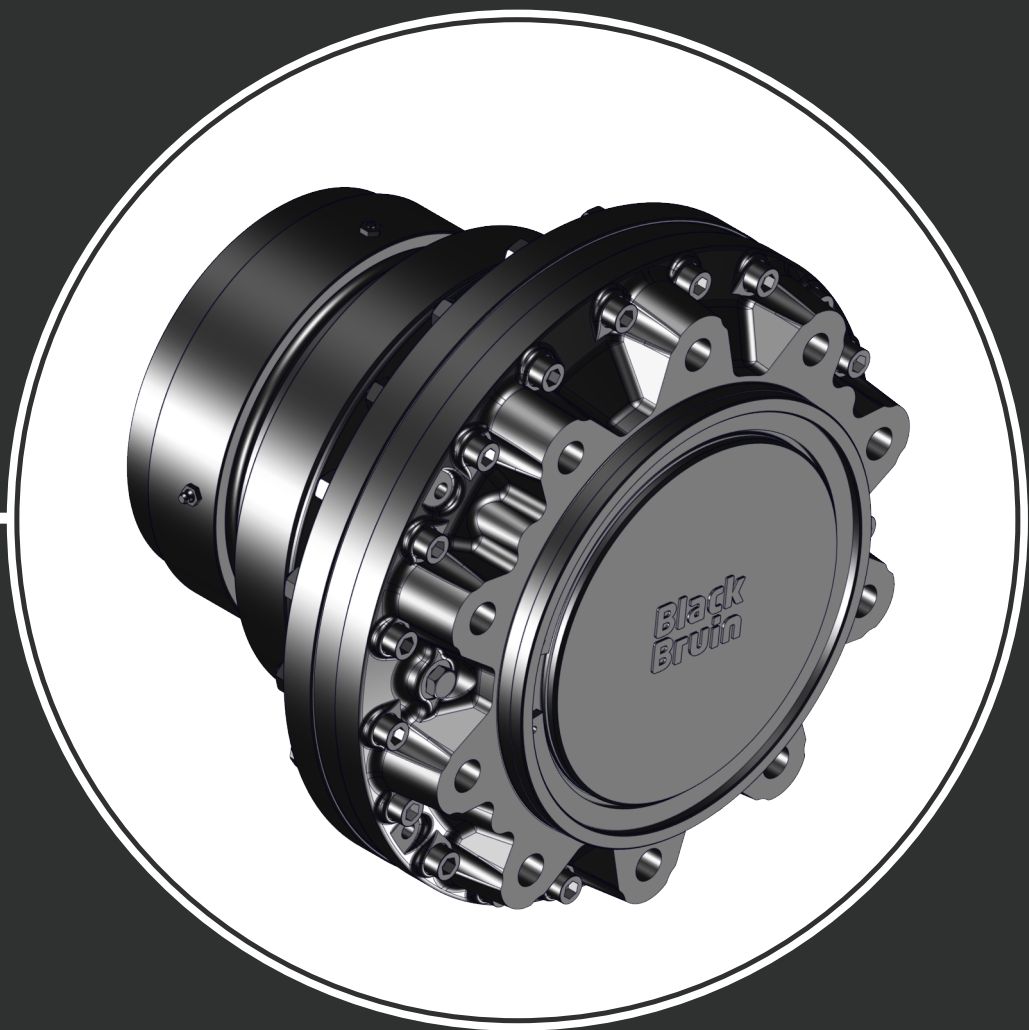


Black Bruin



**Product Manual
B100/B200 series**

Contents

1	General Instructions.....	4
1.1	About the manual.....	4
1.2	Intended use.....	4
1.3	Warranty.....	4
1.4	Product identification.....	4
1.5	Publication date.....	5
1.6	Declaration of incorporation.....	5
2	Safety Instructions.....	6
2.1	Warning symbols.....	6
3	Motor Description.....	7
3.1	Working principle.....	7
3.2	Product identification code.....	8
3.2.1	Motor model code B100 series.....	8
3.2.2	Motor model code B200 series.....	9
3.2.3	Processing ID.....	11
3.3	Technical data.....	12
3.4	Motor interfaces.....	14
3.4.1	Main dimensions.....	14
3.4.2	Shaft interface.....	15
3.4.3	Hub interface.....	16
3.4.4	Housing interface.....	18
3.4.5	Drum brake interface.....	19
3.4.6	Hydraulic connections.....	20
3.5	Rotating direction.....	21
3.6	Freewheeling.....	21
3.6.1	Hydrostatic freewheeling in B100 series motors.....	22
3.6.2	Mechanical freewheeling in B200 series motors.....	22
3.7	1-speed : 1N00.....	23
3.8	2-speed valve : 2N0R / 2N0L.....	24
3.9	Freewheeling valve in B200 series motors: FW10 / FW20	25
3.10	Seal protector : NZ/GZ.....	27
3.10.1	Fittings for one-time lubrication.....	27
3.10.2	Fittings for regular lubrication.....	27
3.11	Drum brake.....	28
3.11.1	2015/68 ECE R13.....	29
3.12	Accessories.....	29
3.12.1	Disc brake.....	29
4	System Design.....	32
4.1	Motor hydraulic circuit.....	32
4.1.1	Simple connection.....	32
4.1.2	Motors in parallel or series circuit.....	32
4.1.3	Counter pressure operation.....	34
4.1.4	Hydrostatic braking.....	34
4.1.5	Short circuit operation.....	34
4.2	Hydraulic connections.....	35
4.3	External freewheeling valve.....	35

4.4	Hydraulic fluid.....	37
4.4.1	Hydraulic fluid type.....	37
4.4.2	Hydraulic fluid properties.....	37
4.4.3	Hydraulic fluid cleanliness.....	37
4.5	Operating pressures.....	37
4.5.1	Case pressure.....	37
4.5.2	Pilot pressure.....	38
4.5.3	Working line pressure.....	38
5	Motor Sizing.....	41
5.1	Load carrying capacity.....	41
5.1.1	Wheel offset.....	41
5.1.2	Allowed wheel load.....	42
5.1.3	Service life.....	43
5.1.4	Axial load capacity.....	44
5.2	Performance.....	44
5.2.1	Rotating speed and flow rate.....	44
5.2.2	Torque.....	45
5.2.3	Power.....	46
5.3	Performance charts.....	46
5.3.1	B140/B240 motors performance curves.....	46
5.3.2	B150/B250 motors performance curves.....	47
5.3.3	B160/B260 motors performance curves.....	49
5.3.4	B170/B270 motors performance curves.....	50
5.4	B100/B200 motors case leakage.....	52
6	Installation Instructions.....	53
6.1	Mounting the motor.....	53
6.2	Flushing the hydraulic system.....	53
6.3	Air bleeding procedure.....	53
6.4	Commissioning procedure.....	54
7	Operating Instructions.....	55
7.1	Break-in period.....	55
7.2	Use.....	55
7.3	Operating temperature.....	55
7.4	Demounting the motor.....	55
8	Special Instructions.....	57
8.1	Storing the motor.....	57

1 General Instructions

1.1 About the manual

This manual contains the technical instructions for the Black Bruin B100/B200 series hydraulic motors. Take these instructions into consideration when planning the use of the product.

All information given in this manual is current and valid according to the information available at the time of publication. The manufacturer reserves the rights to implement changes without prior notice.

Please visit www.blackbruin.com for the most recent version of this manual. The product datasheets and the 3D-models are available from the manufacturer by request.

1.2 Intended use

Black Bruin B100 series hydraulic motors are designed to be used as hub motors on vehicles. They can also be used in other applications that need torque for rotary movement.

Black Bruin B200 series hydraulic motors are designed to be used as hub motors to produce traction on tractor-driven trailers and working equipment. They can also be used in other application that need mechanical freewheeling.

1.3 Warranty

Check the package and the product for transport damage when receiving goods. The package is not meant for long term storage; protect the product appropriately.

Do not dismantle the product. The warranty is void if the product has been disassembled.

The manufacturer is not responsible for damages resulting from misinterpreted, non-compliance, incorrect, or improper use of the product that goes against the instructions given in this document.

1.4 Product identification

The product identification data can be found on the identification plate attached to the motor.



Figure 1. Identification plate of the motor.



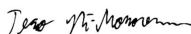
Note:

The serial number is also stamped on the motor. All manufacturing data can be found with the serial number.

1.5 Publication date

17.03.2021 - This manual is published.

1.6 Declaration of incorporation

Black Bruin	DECLARATION OF INCORPORATION 1(1)
	2019-10-17
Black Bruin Inc.	
DECLARATION OF INCORPORATION (in accordance with EC Machinery Directive 2006/42/EC, Annex II B)	
Manufacturer	Black Bruin Inc.
Address	Valmetintie 9 FI-40420 Jyskä, FINLAND
Product description	Black Bruin hydraulic motor series: <ul style="list-style-type: none"> ▪ BBC ▪ BB ▪ B100 ▪ B200 ▪ S <p>We hereby declare that the product(s) specified above is intended to be incorporated into machinery or to be assembled with other machinery to constitute machinery covered by EC Machinery Directive 2006/42/EC, as amended.</p> <p>And that the following harmonised standards have been applied:</p> <ul style="list-style-type: none"> ▪ EN ISO 4413:2010 (Hydraulic fluid power - General rules and safety requirements for systems and their components) ▪ EN ISO 12100:2010 (Safety of machinery – General principles for design – Risk assessment and risk reduction) <p>And furthermore declares that the product(s) covered by this declaration must not be put into service until the final machinery into which it is to be incorporated has been declared in conformity with the provisions of EC Machinery Directive 2006/42/EC.</p> <p>The product(s) must be applied and installed in accordance with all the technical documents applicable to the product(s).</p> <p>This document supersedes all previous releases to this subject.</p>
Place and date	Jyväskylä, 2019-10-17 On behalf of Black Bruin Inc. 
Name	Tero Ylä-Mononen
Title	R&D Manager
<hr/> <small>BLACK BRUIN INC. P.O. Box 633, FI-40101 JYVÄSKYLÄ, FINLAND +358 20 755 0755 info@blackbruin.com www.blackbruin.com</small>	

2 Safety Instructions

The following instructions apply to all procedures associated with the motor. Read these instructions carefully and follow them closely.

- Use necessary personal protective equipment when working with the motor.
- Support the motor properly. Make sure the motor cannot fall over or turn around by accident.
- Use only appropriate equipment and attachments for lifting and transferring the motor.
- Do not use magnetic lifting devices.
- Always use the lifting equipment properly and check the load-bearing capacity.
- Prevent unintended use of the motor during installation and maintenance procedures by preventing pressurization of the hydraulic lines.
- The operating temperature of the motor may be over 60 °C (140 °F), which is hot enough to cause severe burns. Beware of hot hydraulic fluid when disconnecting the hydraulic connections.

2.1 Warning symbols

The following symbols are used in this manual:



Note:

Useful information.



Danger:

Danger of death or injury.



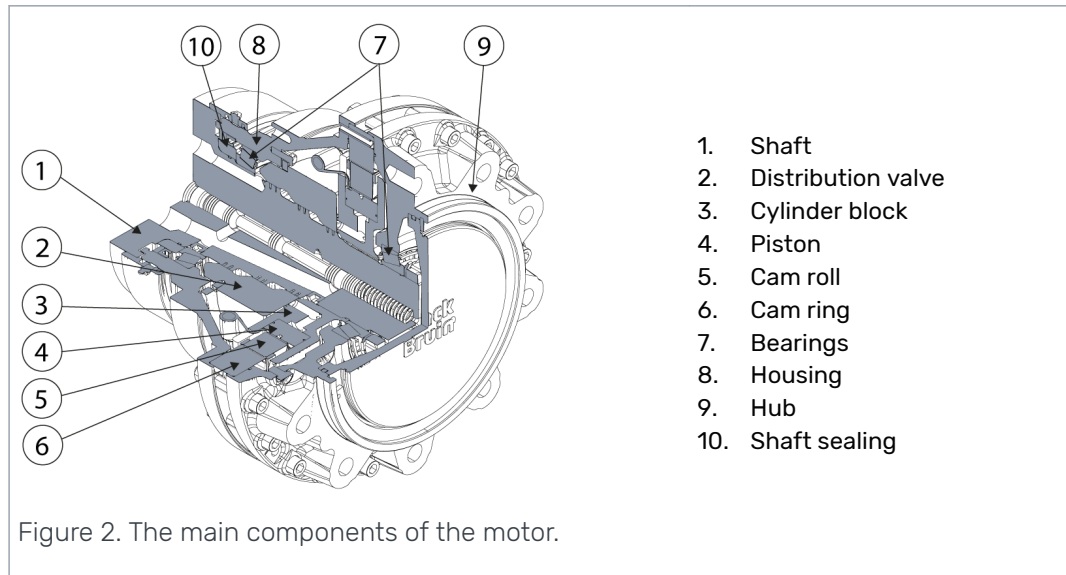
Attention:

May cause damage to the product.

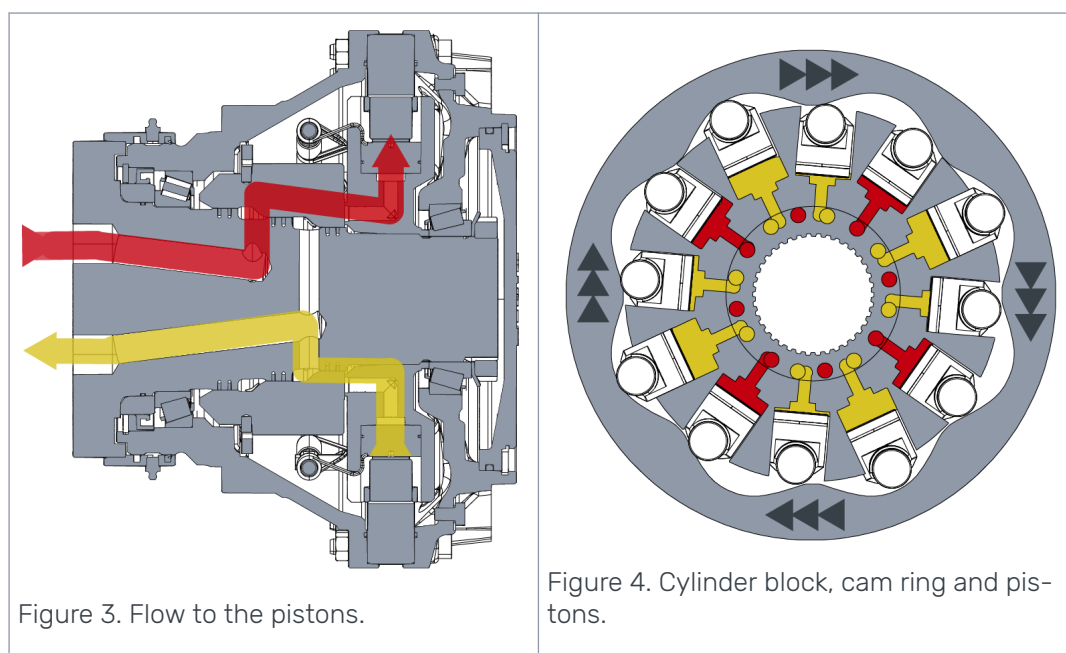
3 Motor Description

3.1 Working principle

B100/B200 series motors are rotary-housing. This means the motor shaft and the cylinder block remain in place while the motor is running.



The rotation of the motor is achieved by feeding pressurized hydraulic fluid through the motor shaft to the distribution valve. The distribution valve directs the flow to the pistons which are on a power stroke. Pressure pushes the pistons and cam rolls outwards against the cam ring on the housing. The waveform of the cam ring transforms the force into torque. When the pistons reach the end of the power stroke, the distribution valve closes the flow to the pistons and switches the pistons to a return stroke. The cam ring pushes the pistons back into the cylinder block preparing them for the next outward power stroke.



3.2 Product identification code

Black Bruin product identification code consists of motor model code and processing ID.

B100 SERIES PRODUCT IDENTIFICATION CODE	
B160-0250-2NOL / GZ	- 110000
Motor model code	- Processing ID

B200 SERIES PRODUCT IDENTIFICATION CODE	
B260-0250-2NOL / GZ	- 110000
Motor model code	- Processing ID

3.2.1 Motor model code B100 series

B100 SERIES MODEL CODE	AAAA - BBBB - CCCC / D
Hub motors	

A: Frame	AAAA-BBBB-CCCC/D	B140	B150	B160	B170
B100 series frames	<u>B140</u>	•			
	<u>B150</u>		•		
	<u>B160</u>			•	
	<u>B170</u>				•

B: Displacement	AAAA-BBBB-CCCC/D	B140	B150	B160	B170
B140 displacements	<u>0063</u> : 630 ccm/rev	•			
	<u>0080</u> : 800 ccm/rev	•			
B150 displacements	<u>0100</u> : 1000 ccm/rev		•		
	<u>0125</u> : 1250 ccm/rev		•		
	<u>0160</u> : 1600 ccm/rev		•		
B160 displacements	<u>0200</u> : 2000 ccm/rev			•	
	<u>0250</u> : 2500 ccm/rev			•	
	<u>0315</u> : 3150 ccm/rev			•	
B170 displacements	<u>0400</u> : 4000 ccm/rev				•
	<u>0500</u> : 5000 ccm/rev				•
	<u>0630</u> : 6300 ccm/rev				•

C: Displacement control	AAAA-BBBB-CCCC/D	B140	B150	B160	B170
1-speed	<u>1N00</u> : Fixed displacement	•	•	•	•
2-speed valve	<u>2N0R</u> : Right side - CW preferred	•	•	•	•
	<u>2N0L</u> : Left side - CCW preferred	•	•	•	•

D: Accessory	AAAA-BBBB-CCCC/D	B140	B150	B160	B170
No drum brake	<u>NZ</u> : Fittings for one-time lubrication	•	•	•	•

D: Accessory	AAAA-BBBB-CCCC/D	B140	B150	B160	B170
	<u>GZ</u> : Fittings for regular lubrication	•	•	•	•
Drum brake*	<u>MRJ40-0-086</u> : Brake size 320x75	•			
	<u>MRJ50-0-100</u> : Brake size 400x80		•		
	<u>MRJ50-0-150</u> : Brake size 400x80		•		
	<u>MRJ61-R-161</u> : Brake size 420x180			•	
	<u>MRJ61-L-161</u> : Brake size 420x180			•	
	<u>MRJ61-R-529</u> : Brake size 420x180			•	
	<u>MRJ61-L-529</u> : Brake size 420x180			•	
	<u>MRJ61-R-646</u> : Brake size 420x180			•	
<u>MRJ61-L-646</u> : Brake size 420x180			•		

* = Certified brakes, manufactured by Monroc.
 More detailed information and mounting dimensions for each brake device can be found on the product datasheet.
 The drum brake increases the length of the motor assembly and affects the offset value of the vehicle wheel rim.
 Adding lubricant into the seal protector is prevented.

Code example	B160 - 0250 - 2N0L / GZ
	A - B - C / D
A =	The frame of the motor is "B160"
B =	The displacement of the motor is 2500 ccm/rev
C =	Internal 2-speed valve for displacement control. The motor is CCW preferred in 2-speed mode.
D =	The seal protector of the motor is fitted for regular lubrication

3.2.2 Motor model code B200 series

B200 SERIES MODEL CODE	AAAA - BBBB - CCCC / D	B240	B250	B260	B270
Freewheeling hub motors					
A: Frame	AAAA-BBBB-CCCC/D				
B200 series frames	<u>B240</u>	•			
	<u>B250</u>		•		
	<u>B260</u>			•	
	<u>B270</u>				•

Motor Description

B: Displacement	AAAA-BBBB-CCCC/D	B240	B250	B260	B270
B240 displacements	<u>0063</u> : 630 ccm/rev	•			
	<u>0080</u> : 800 ccm/rev	•			
B250 displacements	<u>0100</u> : 1000 ccm/rev		•		
	<u>0125</u> : 1250 ccm/rev		•		
	<u>0160</u> : 1600 ccm/rev		•		
B260 displacements	<u>0200</u> : 2000 ccm/rev			•	
	<u>0250</u> : 2500 ccm/rev			•	
	<u>0315</u> : 3150 ccm/rev			•	
B270 displacements	<u>0400</u> : 4000 ccm/rev				•
	<u>0500</u> : 5000 ccm/rev				•
	<u>0630</u> : 6300 ccm/rev				•

C: Displacement control	AAAA-BBBB-CCCC/D	B240	B250	B260	B270
1-speed	<u>1N00</u> : Fixed displacement	•	•	•	•
2-speed valve	<u>2N0R</u> : Right side - CW preferred	•	•	•	•
	<u>2N0L</u> : Left side - CCW preferred	•	•	•	•
Freewheeling valve	<u>FW10</u> : Type 1 - Open freewheeling position	•	•	•	
	<u>FW20</u> : Type 2 - Closed freewheeling position	•	•	•	

D: Accessory	AAAA-BBBB-CCCC/D	B240	B250	B260	B270
No drum brake	<u>NZ</u> : Fittings for one-time lubrication	•	•	•	•
	<u>GZ</u> : Fittings for regular lubrication	•	•	•	•
Drum brake*	<u>MRJ40-0-086</u> : Brake size 320x75	•			
	<u>MRJ50-0-100</u> : Brake size 400x80		•		
	<u>MRJ50-0-150</u> : Brake size 400x80		•		
	<u>MRJ61-R-161</u> : Brake size 420x180			•	
	<u>MRJ61-L-161</u> : Brake size 420x180			•	
	<u>MRJ61-R-529</u> : Brake size 420x180			•	
	<u>MRJ61-L-529</u> : Brake size 420x180			•	
	<u>MRJ61-R-646</u> : Brake size 420x180			•	
<u>MRJ61-L-646</u> : Brake size 420x180			•		

* = Certified brakes, manufactured by Monroc.
 More detailed information and mounting dimensions for each brake device can be found on the product datasheet.
 The drum brake increases the length of the motor assembly and affects the offset value of the vehicle wheel rim.
 Adding lubricant into the seal protector is prevented.

Code example	<u>B260</u> - <u>0250</u> - <u>2N0L</u> / <u>GZ</u>
	A - B - C / D
A =	The frame of the motor is "B260"
B =	The displacement of the motor is 2500 ccm/rev
C =	Internal 2-speed valve for displacement control. The motor is CCW preferred in 2-speed mode.
D =	The seal protector of the motor is fitted for regular lubrication

3.2.3

Processing ID

B100/B200 SERIES PROCESSING ID	R M S P D T
---------------------------------------	--------------------

<u>R M S P D T</u>	Lubrication	Definition of factory lubrication
0	= Seal protector is not filled with lubricant. ¹⁾	
1	= Seal protector is filled with lubricant.	

<u>R M S P D T</u>	Painting	Definition of the painted surfaces
0	= No painting	- Motors are protected from corrosion.
1	= Painting type 1	- Unpainted interfaces: SHAFT, HUB ²⁾
2	= Painting type 2	- Unpainted interfaces: SHAFT, HUB, HOUSING ²⁾

<u>R M S P D T</u>	Protection	Definition of the protection for storage/transportation
0	= Default / Not defined ³⁾	

<u>R M S P D T</u>	Packaging	Definition of the motor package
0	= Default / Not defined ⁴⁾	

<u>R M S P D T</u>	Documents	Definition of the printouts to be attached to the delivery
0	= Default / Not defined	

<u>R M S P D T</u>	Testing	Definition of the testing and reporting
0	= Default / Not defined ⁵⁾	

Motor Description

Code example	1	1	0	0	0	0
	R	M	S	P	D	T
R =	The seal protector of the motor is filled with lubricant.					
M =	Prime coating. The shaft and hub interfaces of the motor are unpainted.					
S =	Pressure openings and threaded holes of the motor are protected according to general practices of the manufacturer.					
P =	The motor is packaged according to general practices of the manufacturer.					
D =	The documentation delivered with the motor is according to general practices of the manufacturer.					
T =	The motor is tested according to general practices of the manufacturer.					

- 1) If necessary, the seal protector is not filled with lubricant at the factory.
- 2) Prime coating: HEMPATHANE HS 55610 or equivalent. Tint: glossy black.
- 3) Pressure openings and threaded holes are capped with plastic fittings. Hydraulic fluid is drained out.
- 4) Delivery on wooden pellet or in plywood box.
- 5) The manufacturer keeps test records of every manufactured motor.

3.3

Technical data

TECHNICAL DATA	B140/B240		B150/B250		
Displacement [ccm]					
at full displacement	630	800	1000	1250	1600
at half displacement	315	400	500	625	800
Maximum torque [Nm]					
theoretical	3510	4460	5570	6960	8910
with 100 bar	1000	1270	1590	1990	2550
Max. operating power [kW]					
at full displacement	35		50		
at half displacement	21		30		
Max. rotating speed [rpm]					
at full displacement	240	185	200	160	125
at half displacement	360	275	300	240	185
at freewheeling	600		500		
Min. rotating speed [rpm]	2		2		
Max. engaging speed (out of freewheeling) [rpm]	120	93	100	80	63
Drum brake torque [Nm] ¹⁾	8600		13500		
Max. working pressure [bar]					
peak pressure	350		350		
intermittent ²⁾	300		300		
Max. case pressure [bar]					
average	2		2		

TECHNICAL DATA		B140/B240	B150/B250
	intermittent ²⁾	10	10
Pilot pressure for internal valve [bar]			
	valve released	0-2	0-2
	valve engaged	15-30 ³⁾	15-30 ³⁾
Max. flow rate [l/min]			
	at full displacement	150	200
	at half displacement	113	150
Max. load capacity [t] ⁴⁾		4,0	5,4
Weight [kg]			
	no brake	59	92
	with drum brake	96	156

TECHNICAL DATA		B160/B260			B170/B270		
Displacement [ccm]							
	at full displacement	2000	2500	3150	4000	5000	6300
	at half displacement	1000	1250	1575	2000	2500	3150
Maximum torque [Nm]							
	theoretical	14300	17900	22600	28600	35800	45100
	with 100 bar	3180	3980	5010	6370	7960	10000
Max. operating power [kW]							
	at full displacement	90			130		
	at half displacement	54			80		
Max. rotating speed [rpm]							
	at full displacement	175	140	110	125	100	80
	at half displacement	225	180	145	160	130	105
	at freewheeling	400			350		
Min. rotating speed [rpm]		2			2		
Max. engaging speed (out of freewheeling) [rpm]		88	70	55	63	35	40
Drum brake torque [Nm] ¹⁾		20100			-		
Max. working pressure [bar]							
	peak pressure	450			450		
	intermittent ²⁾	400			400		
Max. case pressure [bar]							
	average	2			2		
	intermittent ²⁾	10			10		
Pilot pressure for internal valve [bar]							

Motor Description

TECHNICAL DATA		B160/B260	B170/B270
	valve released	0-2	0-2
	valve engaged	15-30 ³⁾	15-30 ³⁾
Max. flow rate [l/min]			
	at full displacement	350	500
	at half displacement	225	325
Max. load capacity [t] ⁴⁾		12,5	15,4
Weight [kg]	no brake	150	285
	with drum brake	262	-

¹⁾ The braking torque is for information only. Braking performance should be ensured by testing and / or certification.

²⁾ Intermittent operation: permissible values for maximum of 10% of every minute.

³⁾ If pilot pressure over 30 bar is used, the pilot line should be throttled.

⁴⁾ The load capacity must be estimated for every application.

3.4 Motor interfaces

3.4.1 Main dimensions

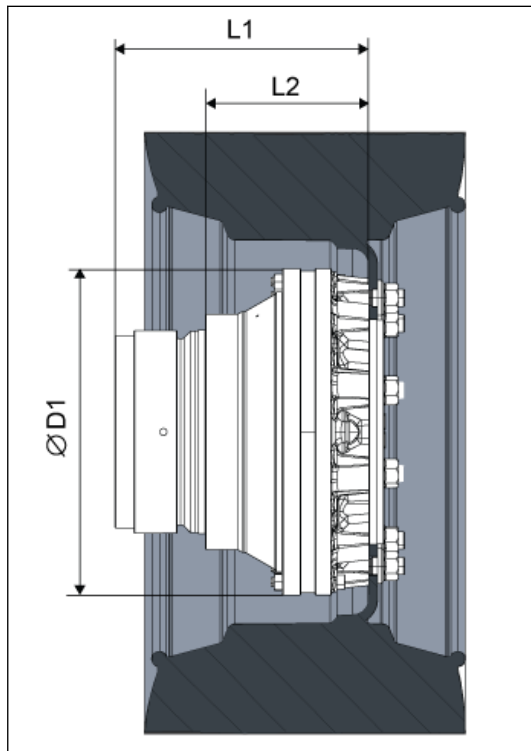


Figure 5. Main dimensions of the motor.

MAIN DIMENSIONS		B140/B240	B150/B250	B160/B260	B170/B270
Motor					
L1	[mm]	262	279	317	377
L2	[mm]	163	177	204	262

MAIN DIMENSIONS		B140/B240	B150/B250	B160/B260	B170/B270
D1	[mm]	278	342	408	512

3.4.2

Shaft interface

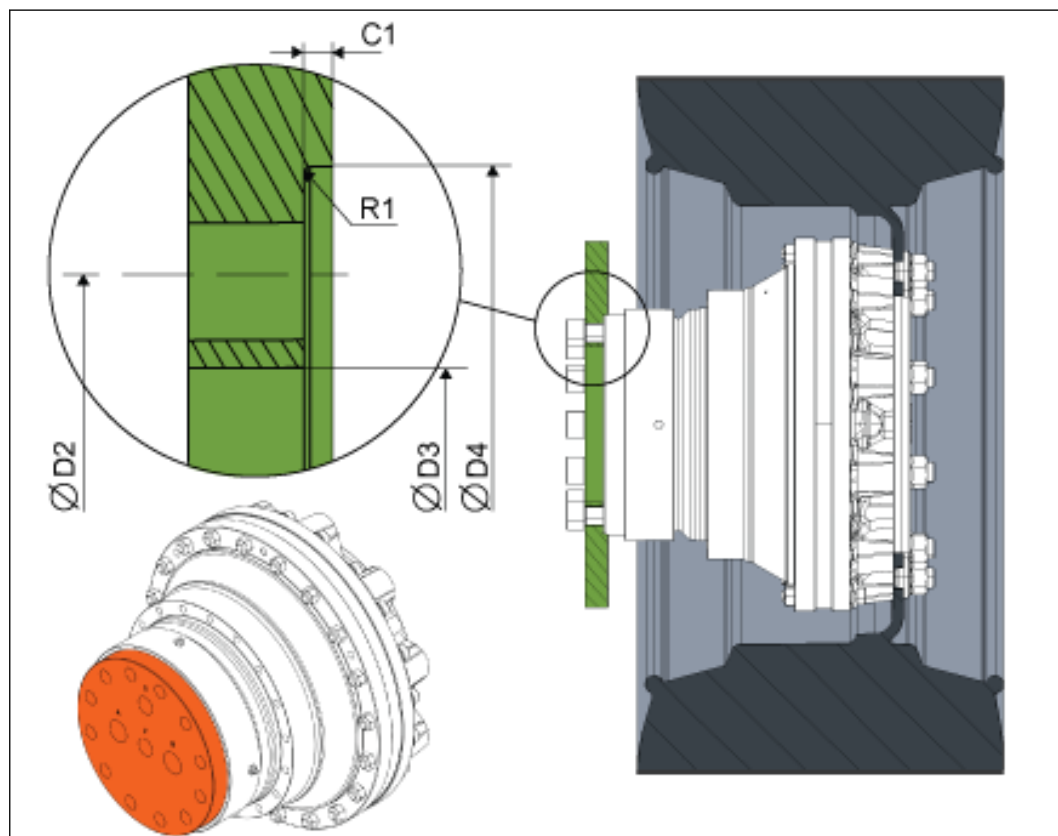


Figure 6. Dimensions of the shaft interface.

INTERFACE DIMENSIONS		B140/B240	B150/B250	B160/B260	B170/B270
Shaft interface					
D2	[mm]	140	175	200	260
	pattern	6x60°	8x45°	12x30°	16x22,5°
	size	M16x2,0	M16x2,0	M20x1,5	M20x1,5
	strength class ¹⁾	12,9	12,9	12,9	12,9
	tightening torque ²⁾ [Nm]	330	330	650	650
D3	min. ³⁾ [mm]	114	150	170	220
D4	min. ⁴⁾ [mm]	165	200	240	300
	R1 max. [mm]	1	1	1	1
	C1 [mm]	4-10	4-10	4-10	4-10

¹⁾ Strength class as in ISO898-1. If using lower strength class, check interface load capacity and tightening torque.

²⁾ Declared values are for reference only. Always use application specific tightening torques when given.

Motor Description

3) Free space for hydraulic connections.

4) Recommended feature to support and center the motor.

The motor is attached to the body of the vehicle or device from the shaft flange. The hydraulic connections of the motor are located on the plane surface of the shaft flange.

3.4.3 Hub interface

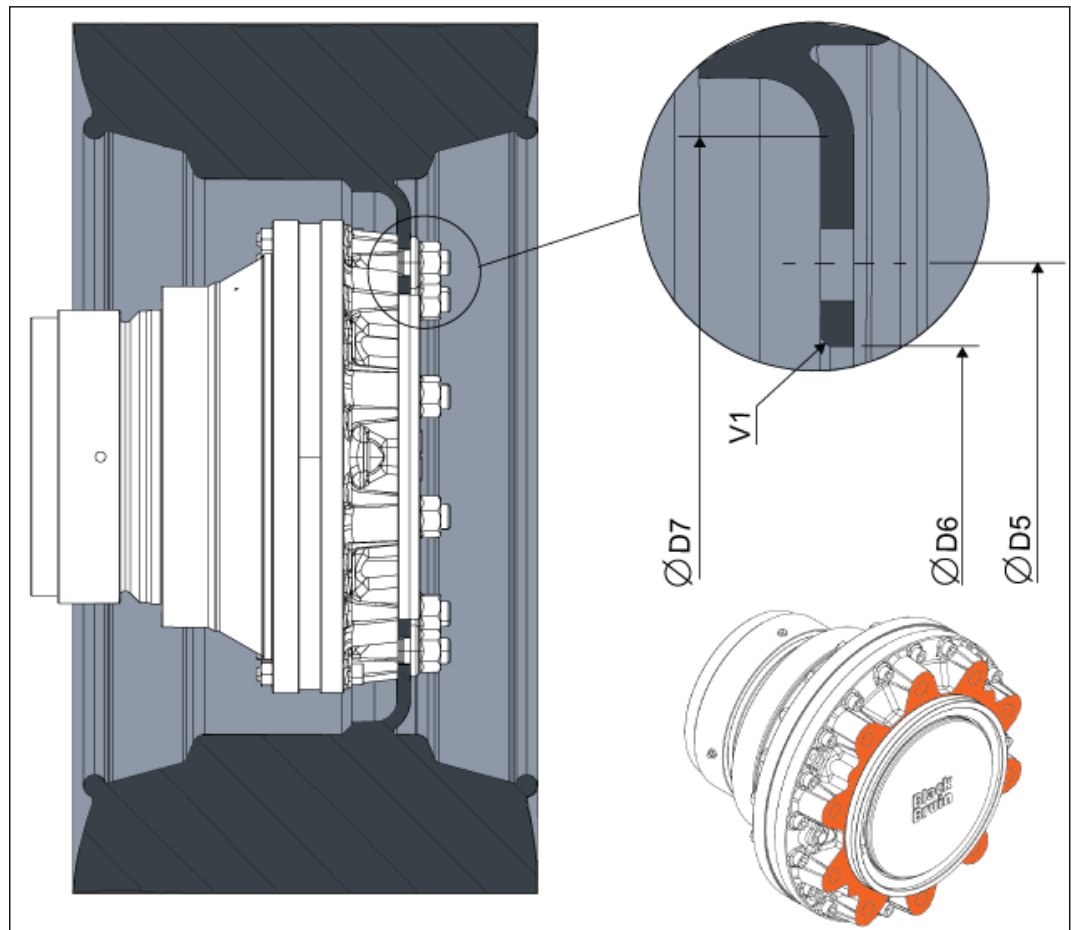


Figure 7. Dimensions of the hub interface.

INTERFACE DIMENSIONS		B140/B240	B150/B250	B160/B260	B170/B270
Hub interface					
D5	[mm]	205	275	335	425
	pattern	6x60°	8x45°	10x36°	12x30°
	size	M18x1,5	M20x1,5	M22x1,5	M22x1,5
	strength class 1)	10,9	10,9	10,9	10,9
	tightening tor- que 2) [Nm]	383	540	728	728
D6	min. [mm]	161	221	281	381
V1	min. [mm]	1x45°	1x45°	1x45°	1x45°
D7	min. [mm]	255	325	390	470

- 1) Strength class as in ISO898-1. If using lower strength class, check interface load capacity and tightening torque.
- 2) Declared values are for reference only. Always use application specific tightening torques when given.

The wheel rim or the rotatable device is attached to the motor hub.



Note:

The attachment screws are not included in the motor delivery. Ensure correct dimensioning and availability of the hub screws.

There are multiple different type of fastening screws for hub interface. Select the hub screws according to the wheel rim design.

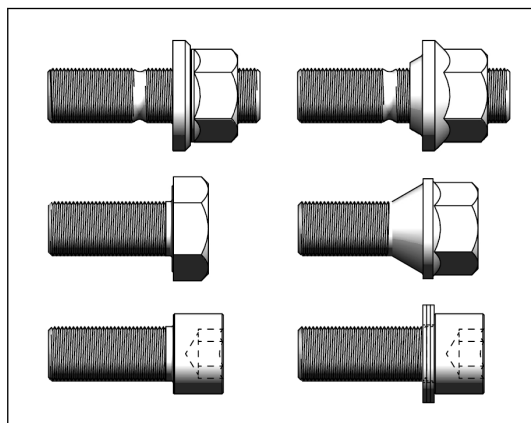


Figure 8. Hub fastening screw variants.

3.4.4 Housing interface

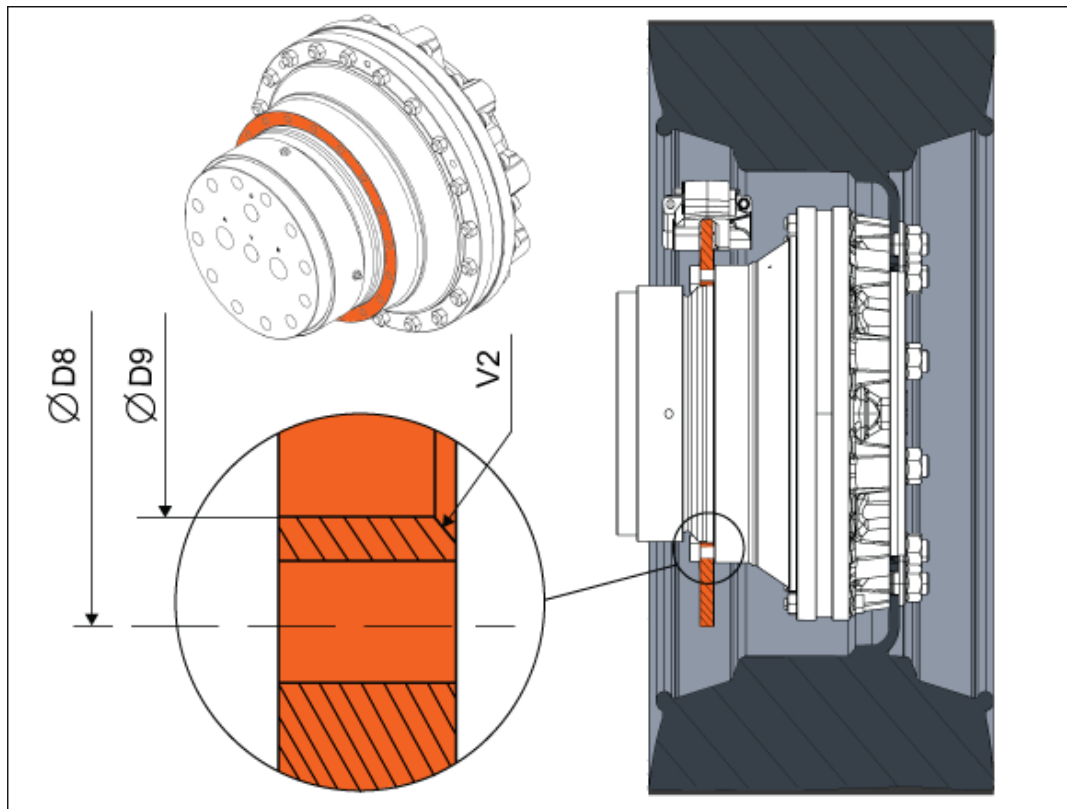


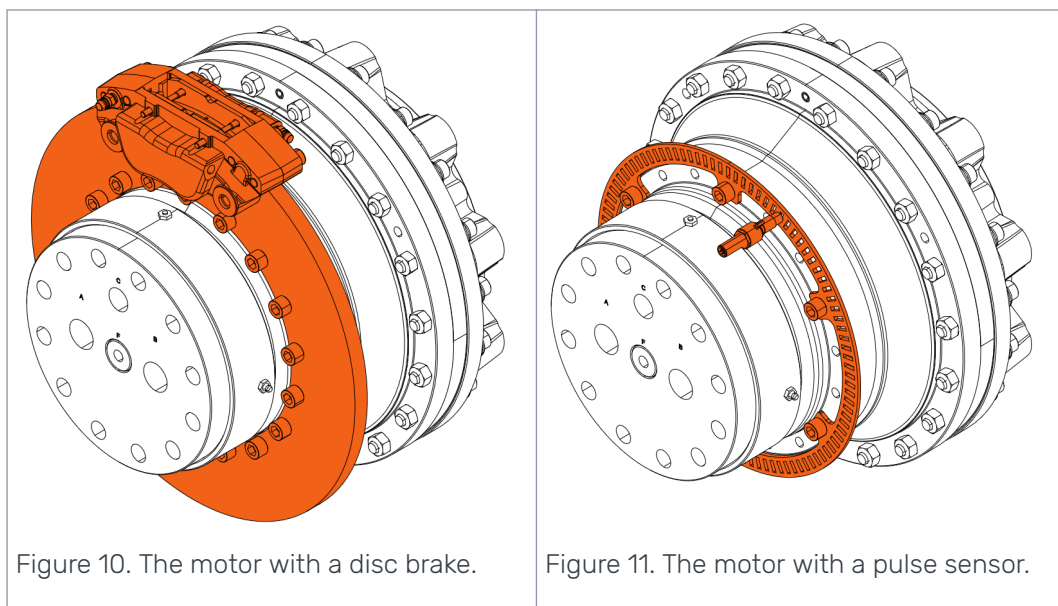
Figure 9. Dimensions of the housing interface.

INTERFACE DIMENSIONS		B140/B240	B150/B250	B160/B260	B170/B270
Housing interface					
D8	[mm]	204	236	274	330
	pattern	12x30°	12x30°	18x20°	18x20°
	size	M10x1,5	M12x1,75	M12x1,75	M16x2,0
	strength class ¹⁾	10,9	10,9	10,9	10,9
	tightening torque ²⁾ [Nm]	64	110	110	275
D9	min. [mm]	184	205	254	302
V2	min. [mm]	1x45°	1x45°	1x45°	1x45°

¹⁾ Strength class as in ISO898-1. If using lower strength class, check interface load capacity and tightening torque.

²⁾ Declared values are for reference only. Always use application specific tightening torques when given.

The necessary accessories can be attached to the housing interface. The interface can be used, for example, to attach a brake disc of a disc brake or a speed sensor pulse ring.



Note:
If necessary, the grease nipples and plugs of the seal protector can be removed temporarily when attaching accessories to the housing interface.



Note:
Surface roughness (Ra) of the counterparts must be 12,5µm or better.
More detailed interface dimensions and tolerances are indicated on the product datasheet.

3.4.5 Drum brake interface

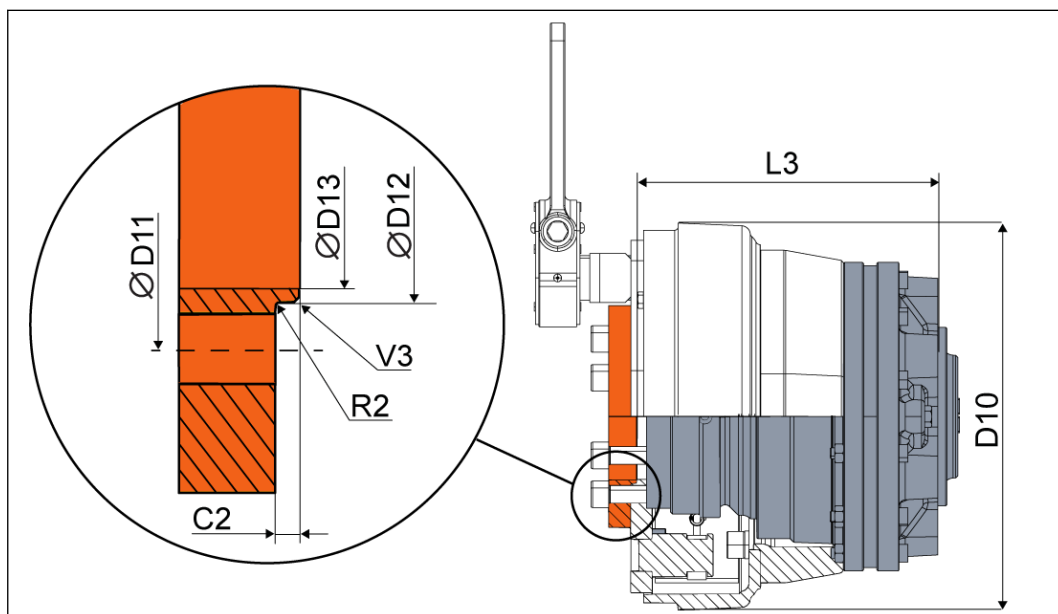


Figure 12. Interface dimensions of the motor with the drum brake (B140/B240, B150/B250).

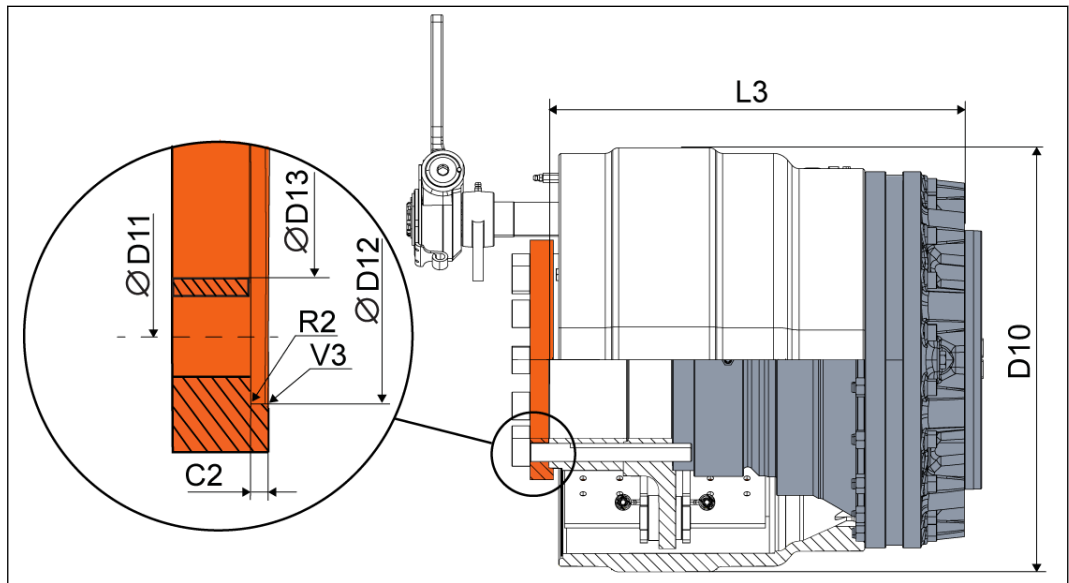


Figure 13. Interface dimensions of the motor with the drum brake (B160/B260).

INTERFACE DIMENSIONS		B140/B240	B150/B250	B160/B260
Drum brake interface				
L3	[mm]	277	295	451
D10	[mm]	349	444	460
D11	[mm]	140	175	200
	pattern	6x60°	8x45°	12x30°
	size	M16x2,0	M16x2,0	M20x1,5
	strength class 1)	12,9	12,9	12,9
	tightening torque 2) [Nm]	330	330	650
D12	[mm]	max. 121	max. 156	min. 235,5
C2	[mm]	4,5	4,5	4,5
V3	min. [mm]	1x45°	1x45°	1x45°
R2	max. [mm]	1	1	1
D13	[mm]	114	150	170

1) Strength class as in ISO898-1. If using lower strength class, check interface load capacity and tightening torque.

2) Declared values are for reference only. Always use application specific tightening torques when given.

3.4.6 Hydraulic connections

	Work ports A/B	Pilot port Y	Pilot port F (B200)	Drain line C
B140/B240	G3/4"	G1/2"	G1/4"	G3/8"
	G1/2" (2-speed model)			
B150/B250	G3/4" & SAE 1"	G3/4"	G1/4"	G3/8" & SAE 1/2"

B160/B260	G1" (in 1-speed also SAE 1 1/4")	G3/4"	G1/4"	G3/4"
B170/B270	G1" & SAE 1 1/4"	G3/4"	-	G3/4" & SAE 1"

3.5 Rotating direction

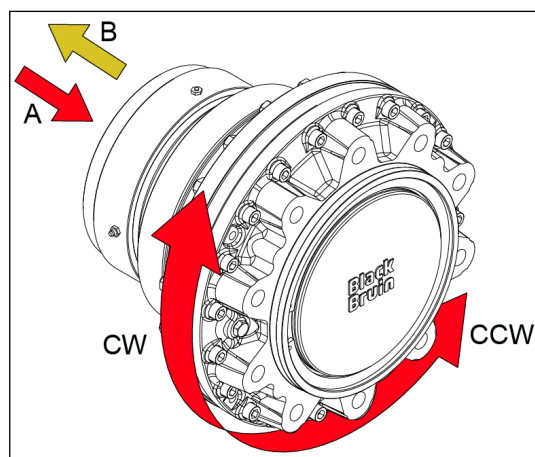


Figure 14. Rotating direction of the motor.

The rotating direction of the motor is defined as the rotating direction of the housing viewed from the hub to the shaft.

The rotating direction of the motor and the flow direction in the working lines is given in the table below.

Table 1: Rotating direction and flow direction.

ROTATING DIRECTION	flow direction	
	A → B	B → A
1N00, FW10, FW20	CW	CCW
2N0R	CW	CCW
2N0L	CCW	CW

Preferred operating direction

AAAA	-	BBBB	-	2NOR	/	D
AAAA	-	BBBB	-	2NOL	/	D

The preferred operating direction applies to motors with 2-speed valve (see [2-speed valve : 2NOR / 2NOL](#) on page 24).

The preferred operating direction is the rotating direction of the motor when the flow direction is from port A to B.

- **2NOR** = CW motor (For the right side of a vehicle.)
- **2NOL** = CCW motor (For the left side of a vehicle.)

3.6 Freewheeling

The hydrostatic freewheeling is a standard feature in the B100 series motors.

Motor Description

The mechanical freewheeling is a standard feature in the B200 series motors.

Black Bruin motors can be freewheeled without energy loss or overheating problems (stationary cylinder block - no centrifugal forces), even at high speeds. The motors can be re-engaged or disengaged during movement.

3.6.1 Hydrostatic freewheeling in B100 series motors

Hydrostatic freewheeling requires a drain line check valve with 0.5 bar (8 psi) opening pressure and active feed between the check valve and the drain port of the motor.

A check valve in the drain line regulates the pressure in the case. To limit the pressure spikes in the case, the drain line and its check valve have to be sized to correspond with the maximum flow rate at the time of engagement.

In order to create the freewheeling pressure into the case, fluid must be supplied to case drain line C between the motor and the check valve.

3.6.2 Mechanical freewheeling in B200 series motors

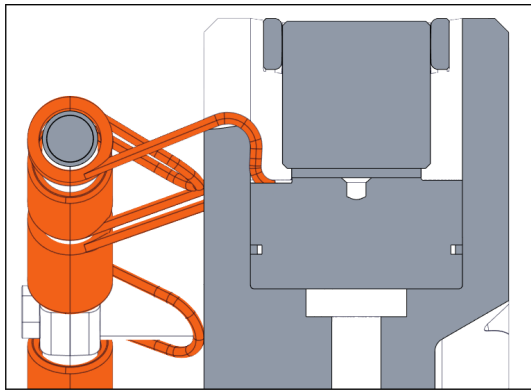


Figure 15. A piston with the freewheeling spring.

The motor is equipped with mechanical freewheeling springs, which enable the motor disengagement. When disengaged the motor may be used without active fluid supply from the hydraulic system.

USING THE FREEWHEELING

When the motor is depressurized and not rotating, the motor will disengage automatically. The motor disengagement during motion is done with a freewheeling valve.

The freewheeling valve may be in-built to the motor (see [Freewheeling valve in B200 series motors: FW10 / FW20](#) on page 25) or a separate external valve (see [External freewheeling valve](#) on page 35), which connects the working lines (A and B) and the case drain line (C) together. The purpose of the valve is to remove pressure difference over the motor pistons. This allows the pistons to retract with aid of mechanical springs.

- **DISENGAGING THE MOTOR**

Open the freewheeling valve and depressurize the motor with the directional control valve to disengage the motor.

- **ENGAGING THE MOTOR**

Close the freewheeling valve and pressurize the motor with the directional control valve to engage the motor.

The directional control valve and the freewheeling valve are usually activated simultaneously.



Note:

Another use of the freewheeling is a more extensive speed range for vehicles having several hydraulic motors. Hydraulic system capacity may be divided between fewer motors, when some of the motors are disengaged.



Attention:

Any pressure in the working lines (A and B) during the freewheeling pushes the pistons out of the freewheeling position. This causes clattering noise when the pistons connect to the cam ring.

Constant clattering of the pistons may cause premature wear or failure of the motor.

ROTATING SPEED

The rotating speed of the motor should be taken into account when implementing freewheeling.

- **FREEWHEELING SPEED**

The freewheeling speed is the highest permissible rotating speed of the motor during freewheeling.

- **ENGAGING SPEED**

The engaging speed is the highest permissible rotating speed when engaging the motor.

The permissible freewheeling and engaging speeds can be found on the technical data (see *Technical data* on page 12).

DISENGAGING DELAY

While the pistons are retracting, there is a momentary flow of hydraulic fluid from the working lines to the casing of the motor. This causes always a small delay when disengaging the motor. Normal delay is about 1 - 2 seconds.

To minimize the disengaging delay the hydraulic fluid should have as open channel as possible:

- The external freewheeling valve should be positioned as close to the motor as possible.
- All components and lines, which connect the working lines to the case drain line, should be sized for highest feasible flow rate.



Attention:

Without freewheeling valve, the delay is considerably longer as the fluid must seep through the motor. Disengaging the motor during motion without a freewheeling valve may cause premature wear or failure of the motor.

3.7

1-speed : 1N00

AAAA	-	BBBB	-	1N00	/	D
------	---	------	---	-------------	---	---

Motor Description

Displacement control selection 1-speed means the motor has a fixed displacement. These motors are known as 1-speed motors and are always in full displacement during operation.

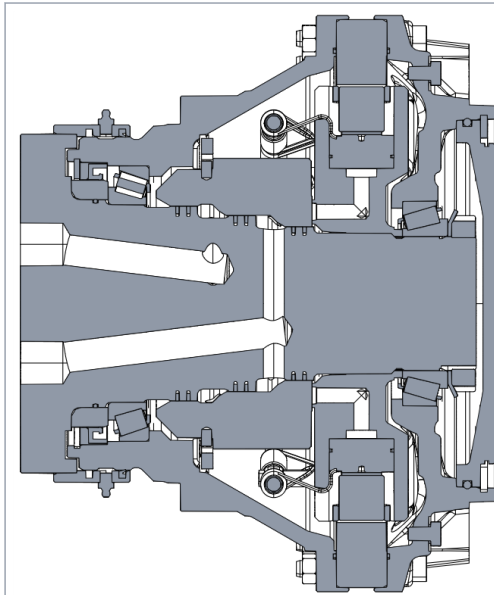


Figure 16. 1-speed motor.

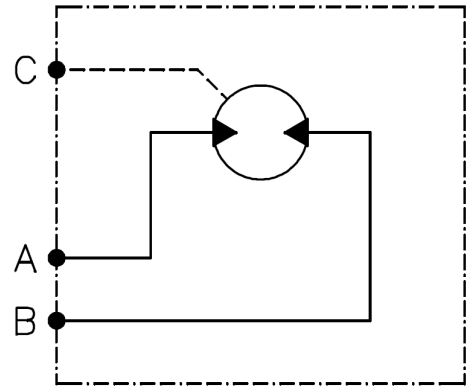


Figure 17. Hydraulic circuit, 1-speed motor.

3.8

2-speed valve : 2NOR / 2NOL

AAAA	-	BBBB	-	2NOR	/	D
AAAA	-	BBBB	-	2NOL	/	D

The 2-speed valve enables change of displacement during operation. The benefit of this function is a more extensive speed range with the same hydraulic system capacity. The motors are also known as 2-speed motors.

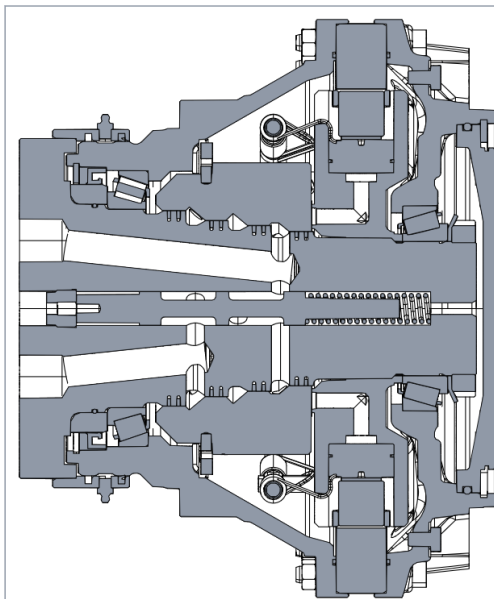


Figure 18. 2-speed motor.

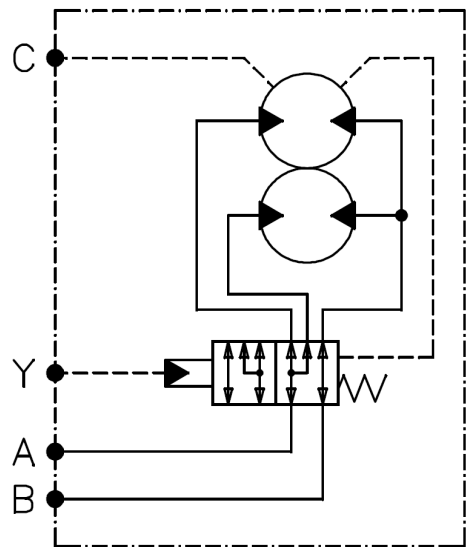


Figure 19. Hydraulic circuit, 2-speed motor.

The change of displacement works by switching the piston to idle on every second stroke. This is done with the in-built 2-speed valve, which changes the fluid circulation in the motor.

USING THE 2-SPEED VALVE

Using the 2-speed valve works in the same manner as gear shifting.

- SHIFTING TO HALF DISPLACEMENT

The motor is switched to half displacement by applying the pilot pressure (see [Pilot pressure](#) on page 38) to the pilot line (Y).

When the motor operates at half displacement, it rotates twice as fast and generates half of the torque when compared to a motor on full displacement with the same flow rate and pressure.

The working pressure should be primarily applied into the working line A. The motor operates at lower efficiency and the operating temperature may rise if working pressure is applied into the working line B.

- SHIFTING TO FULL DISPLACEMENT

The motor is switched back to full displacement by releasing the pressure in the pilot line (Y).

When the motor operates at full displacement, it works like the 1-speed motor and it may be operated normally on both directions.



Attention:

Take the following things into consideration, when changing the speed range during motion.

- Hydraulic system supply must adjust to the rapid change of flowrate.
- The rapid change in flow rate may cause momentary jerk. This may be avoided by throttling the working lines lightly.
- Prevent operating conditions, in which the permissible performance values could be exceeded.

The permissible performance values are in the technical data (see [Technical data](#) on page 12).



Attention:

Continuous use of high working pressure in the working line B at half displacement may cause premature wear or failure of the motor.

3.9

Freewheeling valve in B200 series motors: FW10 / FW20

AAAA	-	BBBB	-	FW10	/	D
AAAA	-	BBBB	-	FW20	/	D

The freewheeling valve is used for disengaging the motor during motion (see [Rotating direction](#) on page 21). The freewheeling valve of the motor is an alternative for the external freewheeling valve (see [External freewheeling valve](#) on page 35).

The freewheeling valve connects the working lines to the case drain line inside the motor. In this way the motor can be disengaged and engaged as smoothly as possible.

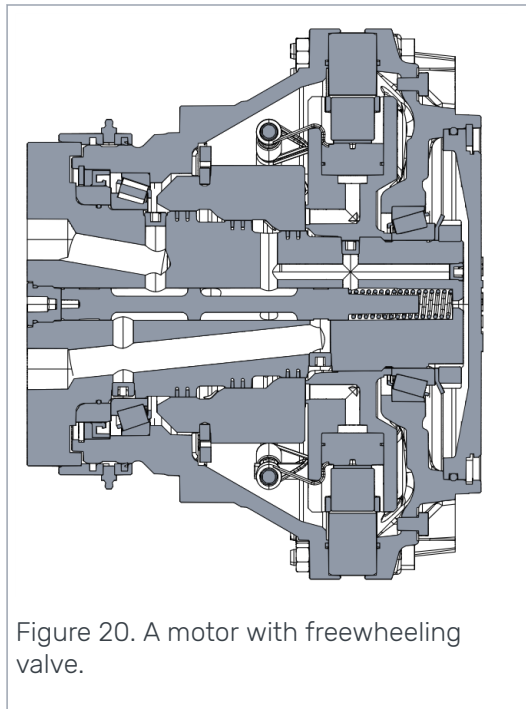


Figure 20. A motor with freewheeling valve.

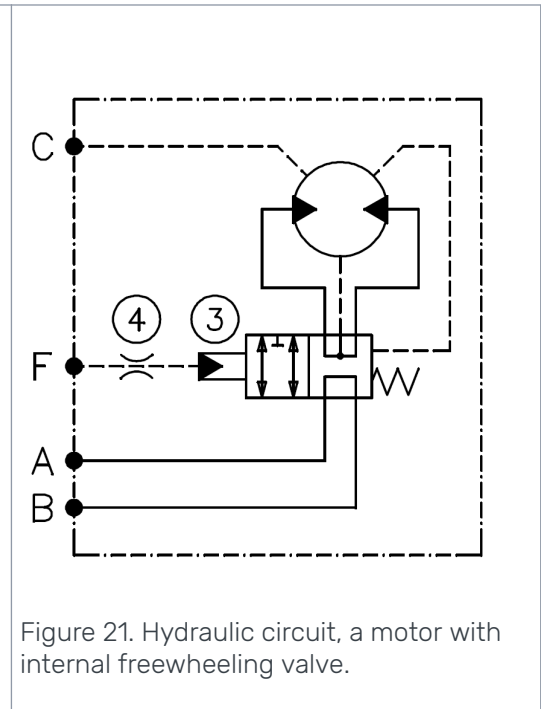
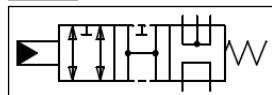


Figure 21. Hydraulic circuit, a motor with internal freewheeling valve.

FREEWHEELING VALVE TYPE

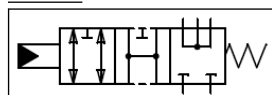
Please note that the images below also show the crossover position of the valve.

- **FW10** = VALVE TYPE 1



The working lines (A and B) of the motor are open (in short circuit), when the motor is disengaged.

- **FW20** = VALVE TYPE 2



The working lines (A and B) of the motor are closed (plugged), when the motor is disengaged.



Note:

The crossover position of the freewheeling valve momentarily connects the working lines together inside the motor. This improves disengaging

and engaging of the motor, when compared to the external freewheeling valve.

USING THE FREEWHEELING VALVE

The freewheeling valve (3) is controlled with the pilot line (F) pressure.

- ENGAGING THE MOTOR

Engage the motor by applying the pilot pressure to the pilot line (F).

When the motor is engaged, it works like the 1-speed motor.

- DISENGAGING THE MOTOR

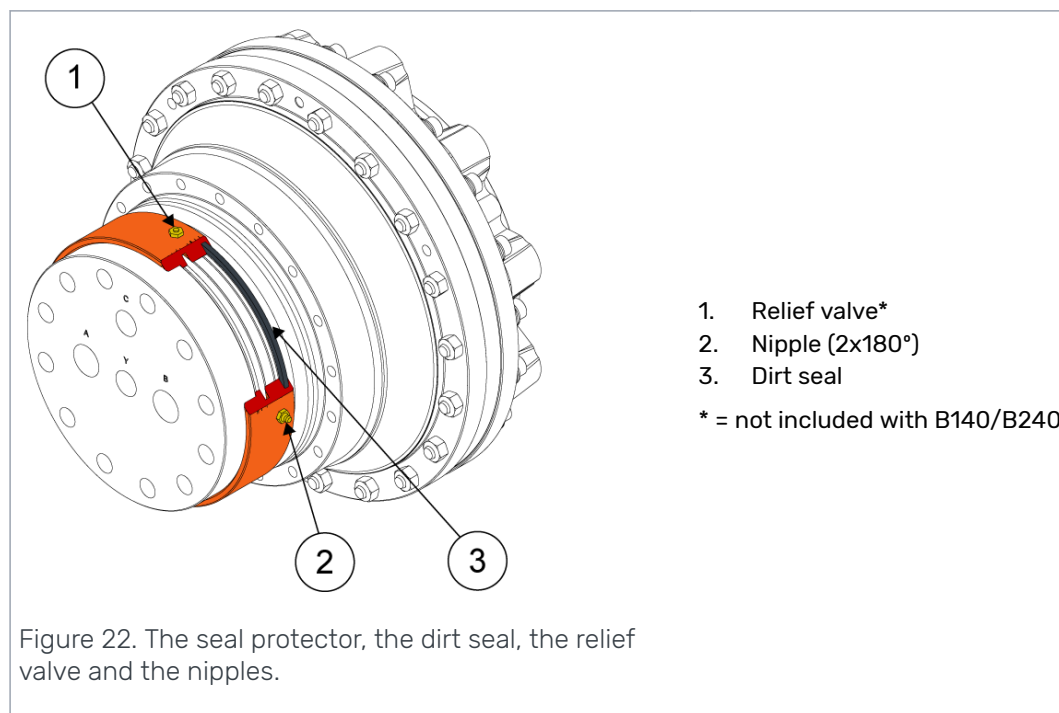
Disengage the motor by releasing the pressure in the pilot line (F).

The orifice (4) in the pilot line (F) dampens the case pressure peaks, if pilot pressure is higher than recommended (see *Pilot pressure* on page 38).

3.10

Seal protector : NZ/GZ

The seal protector is a standard feature of the B100/B200 series motors.



The seal protector prevents dirt and moisture from entering to the motor shaft seal. The operation of the seal protector is based on a sealing lubricant pocket. The seal protector is also known as a grease ring.

3.10.1

Fittings for one-time lubrication

AAAA-BBBB-CCCC / **NZ** - R M S P D T

The lubricating nipples and relief valve are replaced with plugs to prevent adding lubricant.

3.10.2

Fittings for regular lubrication

AAAA-BBBB-CCCC / **GZ** - R M S P D T

Motor Description

The seal protector has nipples to increase the lubricant and a relief valve to prevent overpressure. More specific locations of these are indicated on the product datasheet.



Note:

The lubrication efficiency can be improved by replacing the relief valve with a plug (size G1/8"), when the lubricant is starting to drain between the seal protector and the shaft.

USING THE SEAL PROTECTOR

The seal protector provides the best protection for the motor when lubricant is added on a regular basis.

- Add lubricant from both nipples during operation. It is recommended to add lubricant when the motor is warm.
- Lubricate the seal protector as part of the vehicle lubrication routine.
- Observe lubrication adequacy during use and increase or decrease lubrication as needed.

The lubricant pocket is filled with Microlube GL 261 lubricant or equivalent. Use only compatible lubricants. The lubricant is mineral oil-based grease which is precipitated with lithium-soap.



Note:

Some of the lubricant flows past the dirt seal during use. Make sure that the lubricant does not risk e.g. a disc or a drum brake. If necessary, the lubricant pocket of the motor can be left empty. (see [Product identification](#) on page 4).

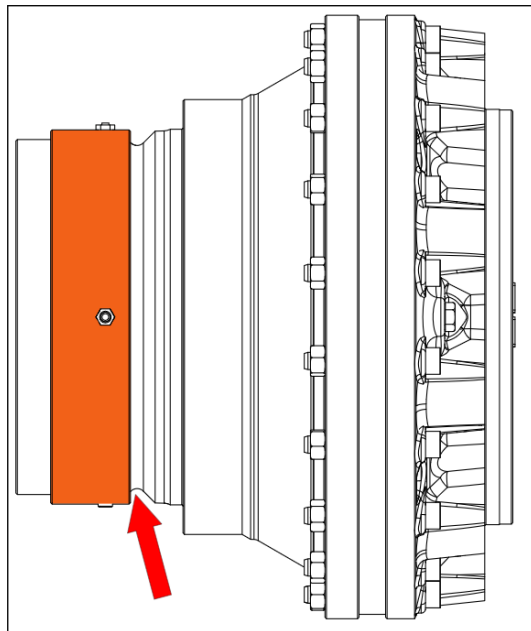


Figure 23. Possible drainage of lubricant.

3.11

Drum brake

The last numbers of the drum brake code show the distance of the lever from the brake in millimeters. For example, on a drum brake with code MRJ40-0-086 the distance between the lever and the brake is 86 mm.

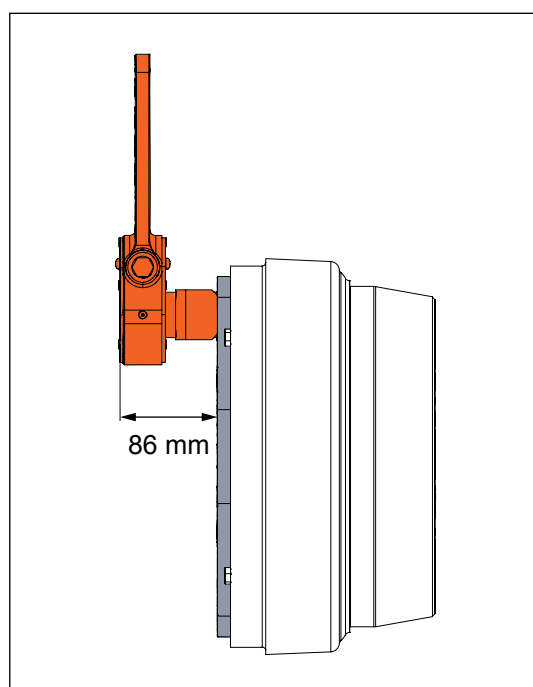


Figure 24. MRJ40-0-086 distance between the lever and the brake.

3.11.1

2015/68 ECE R13



Note:

Data given only for information, specific brake calculation has to be done for each application.

Brake model	ID2	Axle load (kg)		BF (brake factor)	Wheels		Test report #
		2015-68 ECE R13			Reference radius (mm)	Possible radius (mm)	ID4
		≤ 30 km/h	> 30 km/h				
		ID3	ID3				
MRJ40	320x75 E		11000	8,45	405	R ≥ 324	361 055 17
		5660	5660	6,46	440	R ≥ 352	361 012 16
MRJ50	400x80 D	8150	8150	11	525	R ≥ 420	361 003 16
			13000	7,99	500	R ≥ 400	361 073 18
MRJ61	420x180D	13000	13000	11,16(type I)/ 10,33(type III)	600	R ≥ 480	361 033 20

3.12

Accessories

3.12.1

Disc brake

It is possible to use disc brakes in B100/B200 motors without drum brake.

Motor Description

There are two disc brake series available as accessories for the B150/B250 and B160/B260 motor models.

The brake caliper is also available separately for all B100/B200 motor models.

Disc brake series

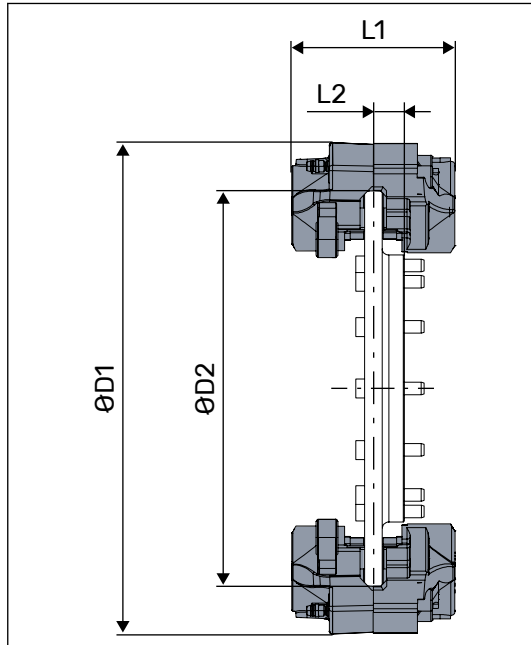


Figure 25. Main dimensions of the disc brake series.

MOTOR	B150/B250	B160/B260
Item number	K000500000	K070500000
Brake		
L1 [mm]	148	148
L2 [mm]	28	24
D1 [mm]	482	545
D2 [mm]	412	468
Max. braking pressure [bar]	150	150
Fluid type	Mineral oil	Mineral oil
Caliper position	at 3 and 9	at 3 and 9
Braking torque with 2 calipers [Nm] ¹⁾	10400	12200

¹⁾ The braking torque is for information only. Braking performance should be ensured by testing and / or certification.

Brake caliper

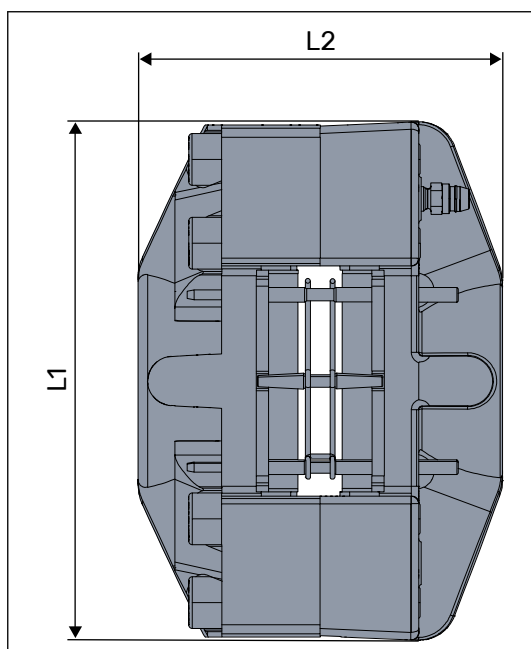


Figure 26. Main dimensions of the brake caliper.

MOTOR	B100/B200 series	
Item number	1480500000	
Brake caliper		
L1 [mm]	214	
L2 [mm]	148	
Max. braking pressure [bar]	150	
Fluid type	Mineral oil	
Caliper position	at 3 and/or 9	
Braking torque with one caliper [Nm]	3800 - 7600	

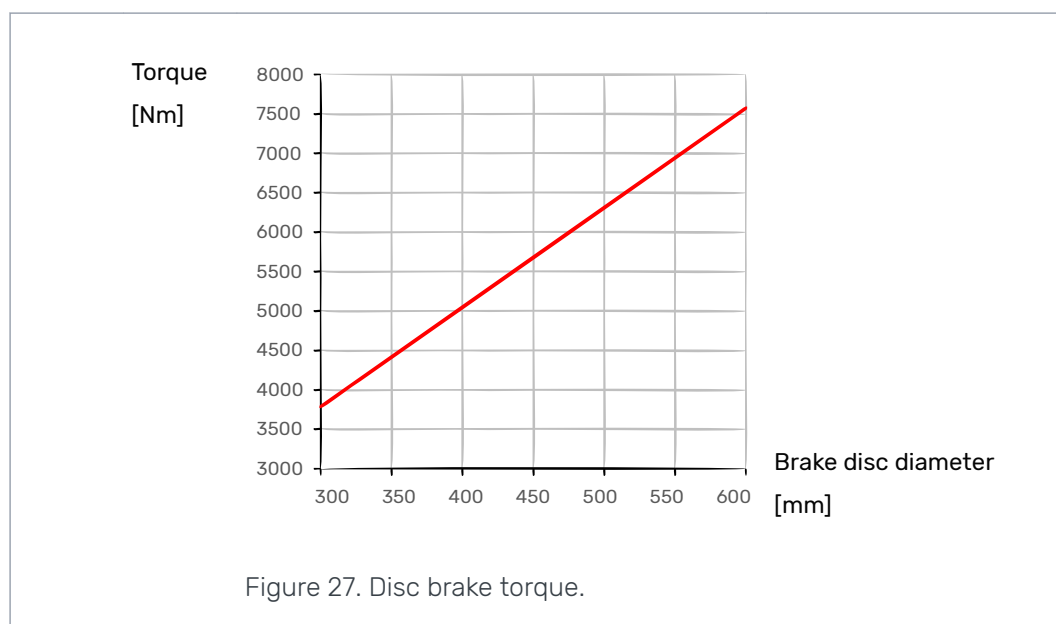


Figure 27. Disc brake torque.

4 System Design

4.1 Motor hydraulic circuit

4.1.1 Simple connection

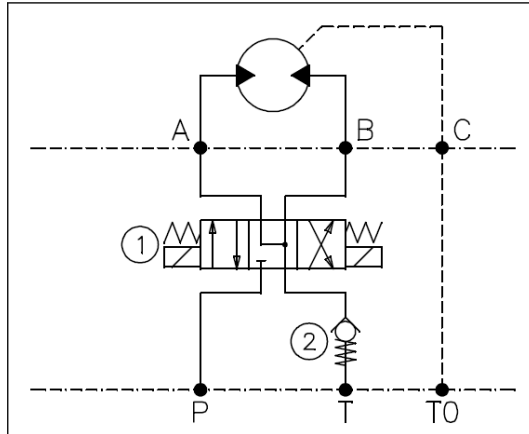


Figure 28. A simple motor hydraulic circuit in an open loop hydraulic system.

In an open loop hydraulic system the hydraulic circuit of the motor is usually implemented roughly as in the figure above.

- Select the operating direction with the directional control valve (1) by applying the working pressure (P) to the other working line (A or B).
- The minimum pressure (see [Working line pressure](#) on page 38) required in the return line (T) is created with the cracking pressure of the check valve (2).
- The case drain line port (C) is connected to the system reservoir (T0) as directly as possible.



Attention:

The case drain line of the motor must always be connected to a reservoir, even during freewheeling. The case pressure of the motor may rise significantly, if the motor is completely plugged during use.



Note:

Using the motor on a closed loop hydraulic system is different from the open loop system. The closed loop system is more complex, but enables more functions, such as hydrostatic braking, series connection and counter pressure operation.

4.1.2 Motors in parallel or series circuit

The traction of a vehicle may be increased by connecting multiple motors in parallel or in series.

A single powered wheel may transmit only a certain amount of power to traction. By dividing the power to multiple wheels, the vehicle gets more traction. This is advantageous especially in slippery operating conditions.

PARALLEL CIRCUIT

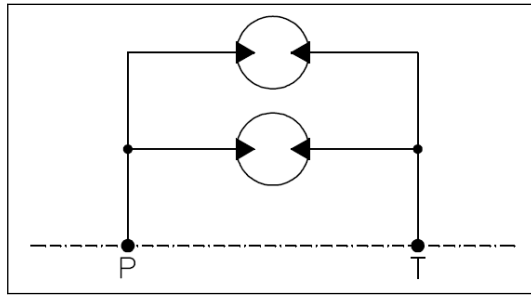


Figure 29. Two motors in parallel circuit.

Two motors in parallel circuit generate double torque and run half slower than one motor with the same flow rate and pressure.



Note:

The flow distribution of the motors must be ensured, if the operating conditions are very slippery or if some of the powered wheels carry much smaller load. The system prefers to rotate only the motor, which has the least resistance.

The flow distribution may be done by sizing the working lines to a certain flow rate or by throttling them slightly.

Ordinary flow divider valve can not be used in most cases, because its resistance of flow increases too much as the speed of the vehicle increases.

The flow distribution is usually required only when starting to move the vehicle. A reliable solution is a flow divider valve, which can be bypassed or switched on when necessary.

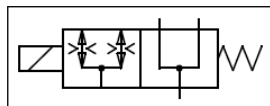


Figure 30. A pilot controlled flow divider valve.

SERIES CIRCUIT

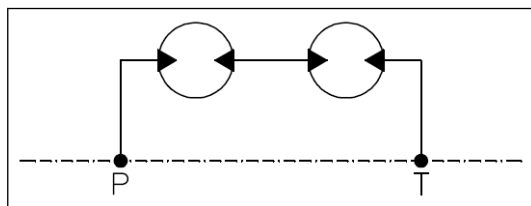


Figure 31. Two motors in series circuit.

Two motors in series circuit generate same torque and rotate as fast as one motor with the same flow rate and pressure.



Attention:

The minimum pressure and a sufficient feed flow must be ensured for all motors.

The use of series circuit is challenging and therefore is not recommended.

4.1.3 Counter pressure operation

Counter pressure operation is needed mainly in series connection (see [Motors in parallel or series circuit](#) on page 32). Counter pressure operation means using the motor with high back pressure in the return line.

The counter pressure operation affects the torque output of the motor due to decreased pressure difference over the working lines.



Attention:

Make sure the combined pressure in the working lines does not exceed the permissible values of the working pressure during counter pressure operation.

Counter pressure operation is not recommended, because high back pressure stresses the motor more than usual operation.

4.1.4 Hydrostatic braking

Hydrostatic braking means using the output torque of the motor to decelerate the speed. The output torque is generated by closing the return line of the motor, in which case a working pressure will form in the return line. The minimum pressure and feed flow must be maintained in the feed line of the motor during hydrostatic braking.



Note:

The hydrostatic braking requires an active hydraulic fluid supply.



Danger:

Do not use the hydrostatic braking without relief valves in the working lines. When an external load is rotating the motor, the hydraulic pressure may increase indefinitely. This leads to danger if a hydraulic hose or component brakes under high pressure.

4.1.5 Short circuit operation

Short circuit operation means connecting the return flow of the motor directly to the feed line of the motor.

Short circuit operation is needed, if the motor must be rotated faster than the hydraulic system can supply and freewheeling the motor is not possible (see [Mechanical freewheeling in B200 series motors](#) on page 22).

Make sure the minimum pressure is maintained in both working lines of the motor during short circuit operation.



Note:

The short circuit operation requires an active hydraulic fluid supply.



Attention:

Make sure the motor does not overheat during short circuit operation.

4.2 Hydraulic connections

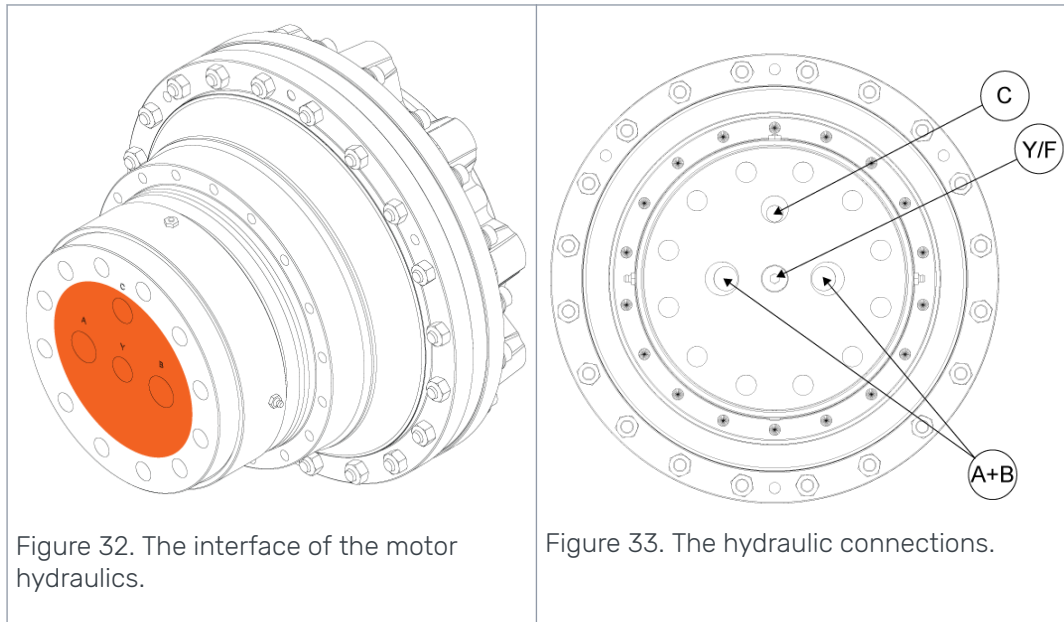


Figure 32. The interface of the motor hydraulics.

Figure 33. The hydraulic connections.

All hydraulic connections of the motor are on the shaft mating surface.

- WORKING LINE PORTS (A and B)

The working lines, aka the feed and return lines of the motor are the high pressure lines meant for running the motor.

- CASE DRAIN LINE PORT (C)

The case drain line is the return line from the housing cavity.

- PILOT LINE PORT (F or Y)

The pilot line is meant for controlling the 2-speed or freewheeling valve of the motor (see [2-speed valve : 2NOR / 2NOL](#) on page 24 and [Freewheeling valve in B200 series motors: FW10 / FW20](#) on page 25).

4.3 External freewheeling valve

The external freewheeling valve is used for disengaging the motor during motion (see [Mechanical freewheeling in B200 series motors](#) on page 22).

The freewheeling valve should be normally open, so that the motor will disengage when the control system is off.

When the motor is disengaged the case drain port (C) should be connected as directly as possible to the working line ports A and B.

There are multiple possibilities for the external freewheeling valve. Some examples of these possibilities are described in this chapter.

B200 series with mechanical freewheeling

2/2 VALVE

- When the motor is disengaged using the 2/2 valve (6a), the directional control valve (1) should have "Y" spool mid position.
- Use of the 2/2 valve may be optimized by switching the freewheeling valve (6a) just before (max. 0,5 s) the directional control valve (1). This reduces the pressure in the return line and minimizes the disengaging delay.

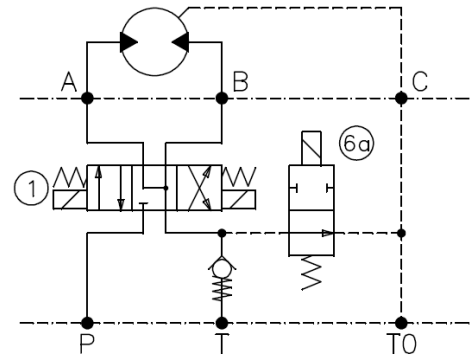


Figure 34. Freewheeling circuit with a 2/2 valve.

4/2 VALVE

- Using the 4/2 valve (6b) may be necessary, if the size of the directional control valve (1) limits the disengaging delay.
- Use of the 4/2 valve may be optimized by switching the directional control valve (1) just before (max. 0,5 s) the freewheeling valve (6b). This prevents case pressure peak caused by working pressure.

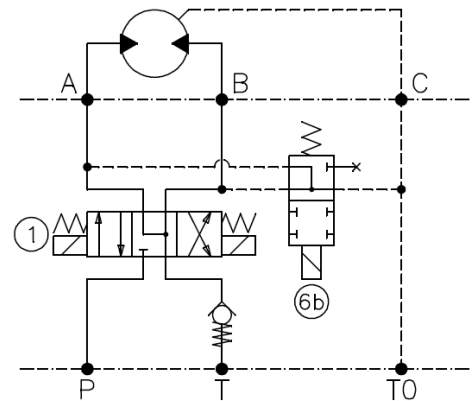


Figure 35. Freewheeling circuit with a 4/2 valve.

6/2 VALVE

- With the 6/2 valve (6c), the motor may be disengaged using only the freewheeling valve.
- The 6/2 valve is reliable as the external freewheeling valve, but it must be sized for full working line flow rate.

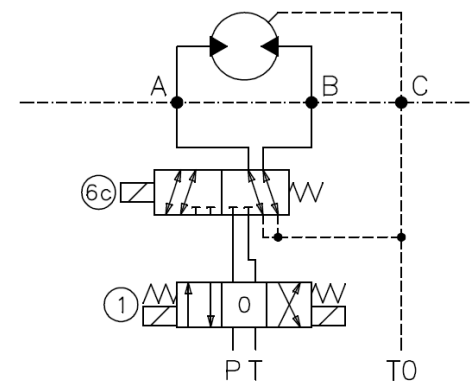


Figure 36. Freewheeling circuit with a 6/2 valve.

4.4 Hydraulic fluid

4.4.1 Hydraulic fluid type

Black Bruin hydraulic motors are designed to work with hydraulic fluids based on mineral oil. Consider the following requirements when choosing hydraulic fluid:

- Hydraulic oils in accordance with ISO 6743-4 are recommended to be used.
- Motor oils in accordance with API-grades SF, SG, SH and SL may also be used.
- Fire resistant hydraulic fluids HFB and HFC or similar may be used under certain circumstances.

4.4.2 Hydraulic fluid properties

Requirements concerning the hydraulic fluid properties:

- The recommended fluid viscosity range for constant use is 25 - 50 cSt.
- The minimum permissible intermittent viscosity is 15 cSt.
- The maximum permissible viscosity during motor startup is 1000 cSt.
- The viscosity index must be at least 100.
- The water content of hydraulic oil should be less than 500 ppm (0,05 %).
- The hydraulic fluid must reach score 10 on a wear protection test FZG A/8,3/90 in accordance with ISO 14635-1 (DIN 51354)
- The effect of the additives improving the viscosity index can decrease during operation.



Note:

Temperature has a significant effect on the viscosity and the lubricating capability of the hydraulic fluid. Take into consideration the real operating temperature when defining the fluid viscosity.

The need for service and the overall service life may be improved by using hydraulic fluids with higher viscosity. In addition higher viscosity may improve the running smoothness.

4.4.3 Hydraulic fluid cleanliness

Hydraulic fluid must fulfill cleanliness level 18/16/13 in accordance with ISO 4406 (NAS 1638 grade 7).



Note:

The purity of the hydraulic fluid has a significant effect on the need for service and the overall service life of the motor.

4.5 Operating pressures

4.5.1 Case pressure

The case pressure of the motor affects the lifetime of the sealing. It is recommended to maintain as low case pressure as possible.

When the motor is running, the permissible average case pressure is 2 bar and the highest permissible intermittent case pressure is 10 bar.

When the motor is not running, the highest permissible constant case pressure is 10 bar.



Attention:

Running the motor with higher than allowed case pressure shortens the service life of the motor.



Note:

The lifetime of the sealing may be improved with an accumulator, which cuts the pressure peaks that are higher than the pre-charge pressure of the accumulator.

Recommended pre-charge pressure is 2 bar and the displacement should be about 25 % of the motor displacement. The accumulator should be connected to the case drain line port as close to the motor as possible.

4.5.2

Pilot pressure

AAAA	-	BBBB	-	2NOR	/	D
AAAA	-	BBBB	-	2NOL	/	D
AAAA	-	BBBB	-	FW10	/	D
AAAA	-	BBBB	-	FW20	/	D

The pilot pressure is used to engage the 2-speed or freewheeling valve of the motor.

The recommended pilot pressure is 15 to 30 bar and the maximum allowed pilot pressure is 350 bar.



Attention:

Over 30 bar pilot pressure causes case pressure peaks. This effect should be minimized with an orifice in the pilot line. Recommended orifice size is 1 mm.

4.5.3

Working line pressure

WORKING PRESSURE

The working pressure is the high pressure that generates the output torque of the motor. The following values for the working pressure are in the technical data (see [Technical data](#) on page 12):

- PEAK PRESSURE

The value of the peak pressure is the maximum allowed value of the working pressure. Make sure the working pressure does not exceed this value under any circumstances.

- INTERMITTENT PRESSURE

The value of the intermittent pressure is a permissible value of the working pressure for a reference period of one minute (1 min). The working pressure may exceed this value for 10 % of the time during the reference period (for 6 seconds).

MINIMUM PRESSURE

The minimum pressure is a low pressure required in the working lines, which ensures the motor stays engaged when running. The motor is engaged when the pistons of the motor stay constantly connected to the cam ring.

The minimum pressure is maintained with back pressure or charge pressure. Type of the hydraulic system affects the implementation.

- **BACK PRESSURE**

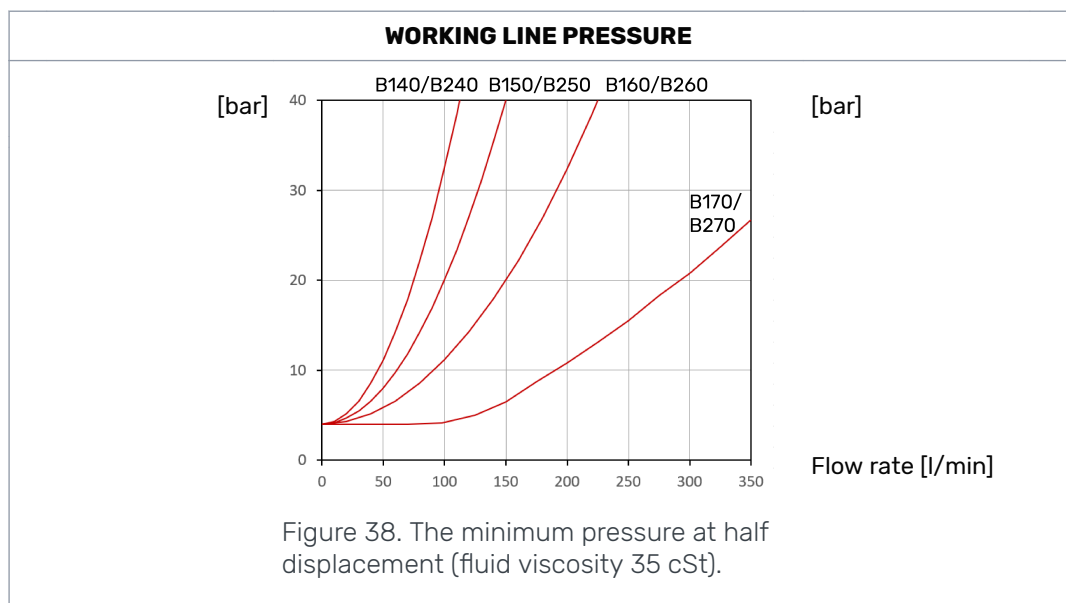
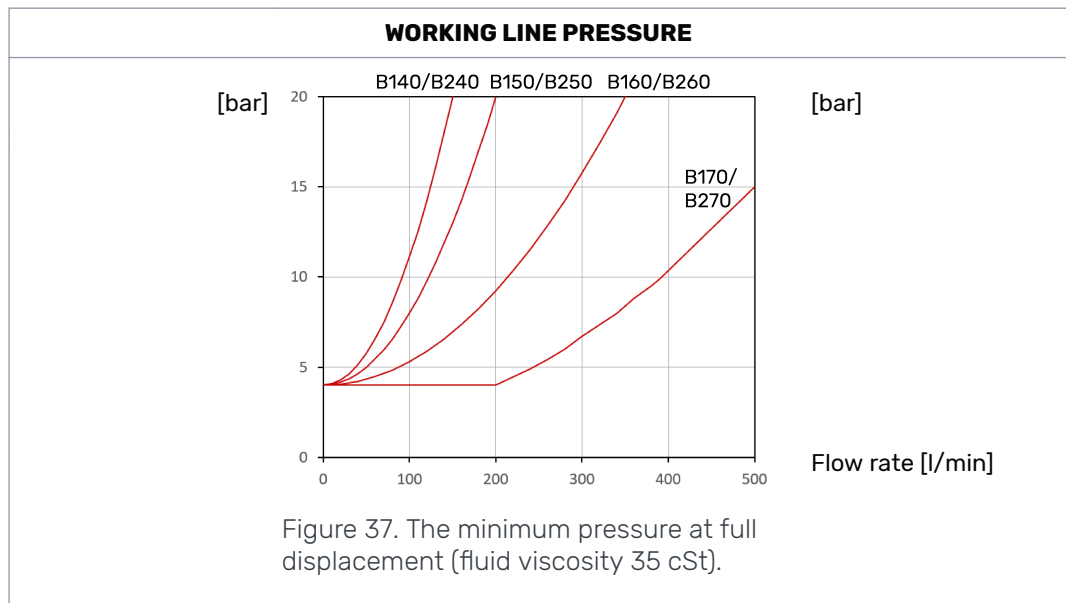
In open loop hydraulic system the minimum pressure may be done with back pressure. The back pressure is usually generated by a suitable check valve with cracking pressure.

- **CHARGE PRESSURE**

In closed loop hydraulic system the charge pressure is usually used as the minimum pressure.

In open loop hydraulic system the charge pressure may be done by a suitable pressure reducing valve.

The required minimum pressure depends mainly on the flow rate in the working lines. Recommended values for the minimum pressure are on the following figures:



Attention:

Too low pressure in the working lines causes the pistons to disconnect from the cam ring when the motor is running. The effect of this is clattering noise when the pistons reconnect.

System Design

Constant use with too low working line pressure may cause premature wear or failure of the motor.

5 Motor Sizing

5.1 Load carrying capacity

5.1.1 Wheel offset

The load carrying capacity of the motor is defined by the offset value (a) of the wheel rim and the application specific safety factor.

The offset value is the distance from the wheel center line (CL) to the motor shaft interface. The load charts of the motors are given as a function of offset value. The given load curves refer to the average wheel load on a single motor.

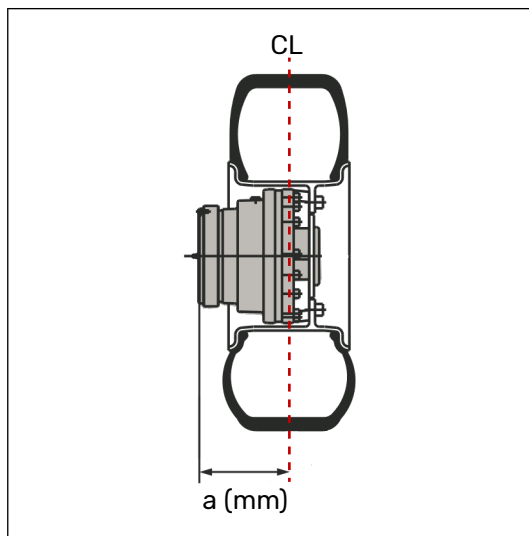


Figure 39. Measurement of the wheel offset (a).



Attention:

The motor load carrying capacity is applicable when the C or C2 port is orientated to the load direction.

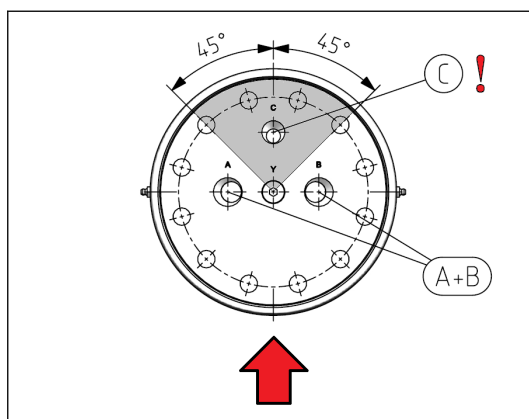
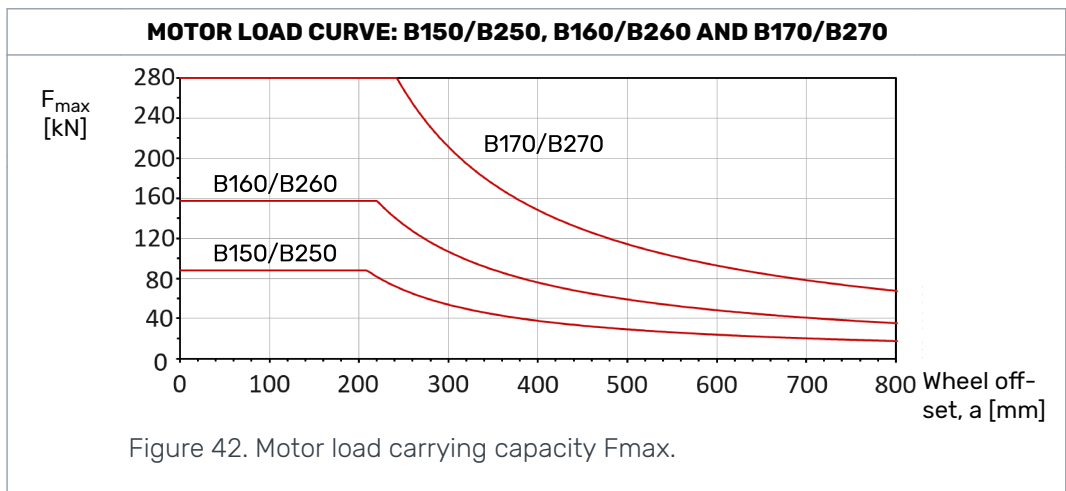
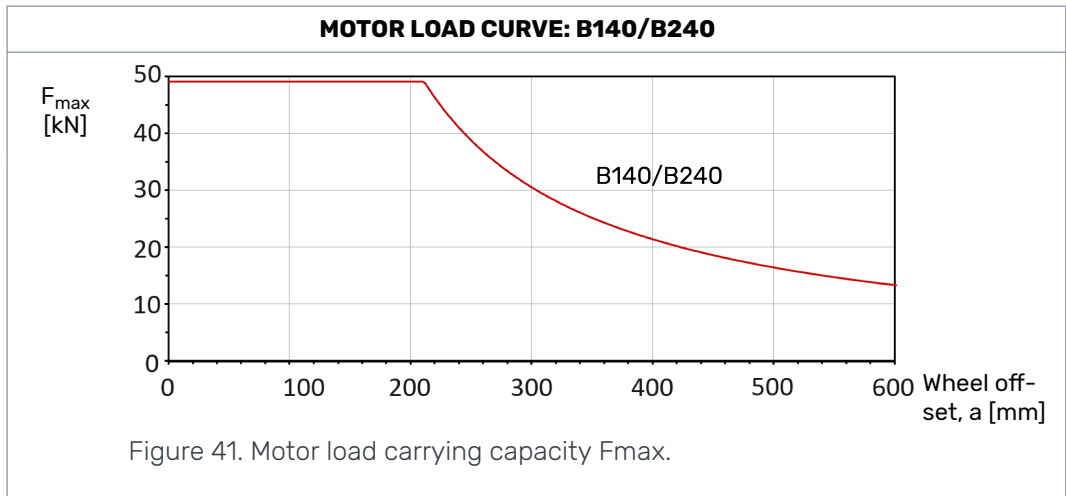
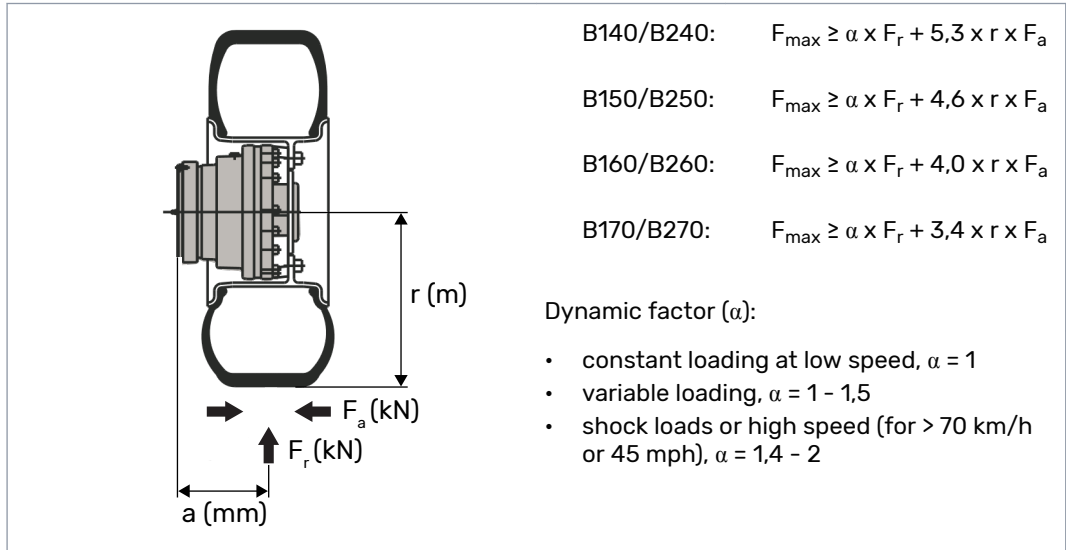


Figure 40. Motor orientation to the load direction.

5.1.2 Allowed wheel load

The allowed wheel load is based on the fatigue strength of the shaft (curved part) and the load carrying capacity of the screw joints (flat part). The maximum allowed wheel load depends on the load point. With applications combining high radial and axial loads, please consult the motor manufacturer or its representative to determine maximum permissible loading.



5.1.3

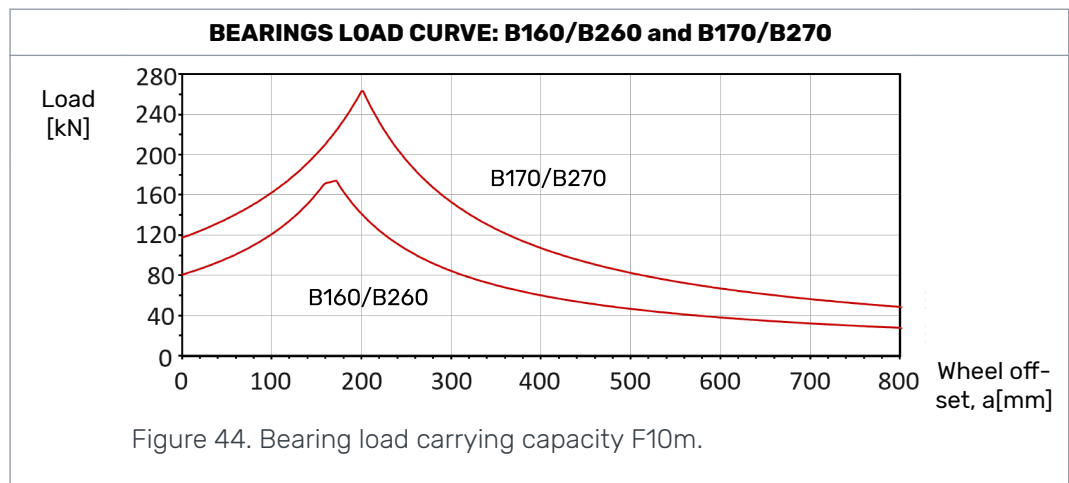
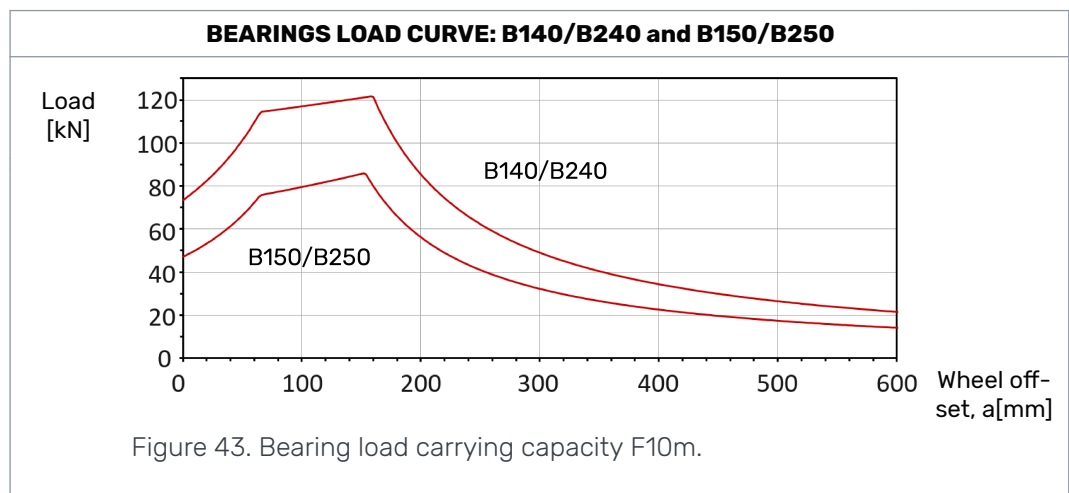
Service life

The service life of the motor is based on the rated life of its bearings. The bearings load curve gives the wheel load value, which the motors endures for 10 million rotations with 90 % reliability.

The service life may be estimated with the following equation:

$$L_{10h} = \frac{166\,667}{\text{RPM}} \cdot \left(\frac{F_{10m}}{G}\right)^{\frac{10}{3}}$$

L_{10h} = nominal service life [h]
 RPM = rotating speed [rpm]
 G = average wheel load [kN]
 F_{10m} = bearing load carrying capacity [kN]



5.1.4 Axial load capacity

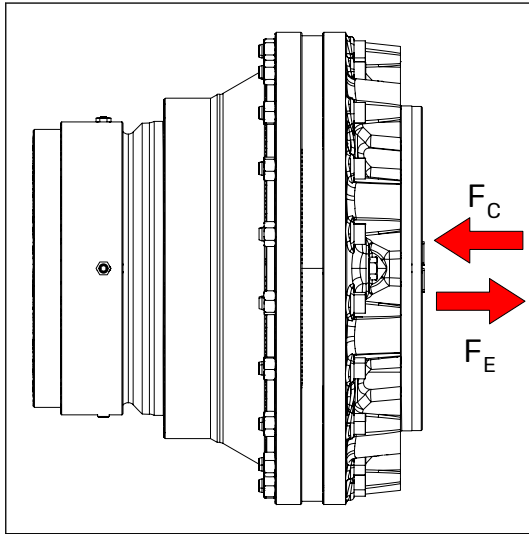


Figure 45. Axial load capacity of the motor.

Max. axial load, without radial load				
	B140/B240	B150/B250	B160/B260	B170/B270
Compression (F _C)	81 kN	125 kN	123 kN	185 kN
Expansion (F _E)	39 kN	61 kN	91 kN	115 kN

5.2 Performance

5.2.1 Rotating speed and flow rate

Rotating speed of the motor and required flow rate may be calculated with the following equations:

ROTATING SPEED

$$\text{RPM} = 1000 \cdot \frac{Q}{V}$$

or

$$\text{RPM} = 2653 \cdot \frac{\text{KMH}}{R}$$

or

$$\text{RPM} = 9549 \cdot \frac{\text{MPS}}{R}$$

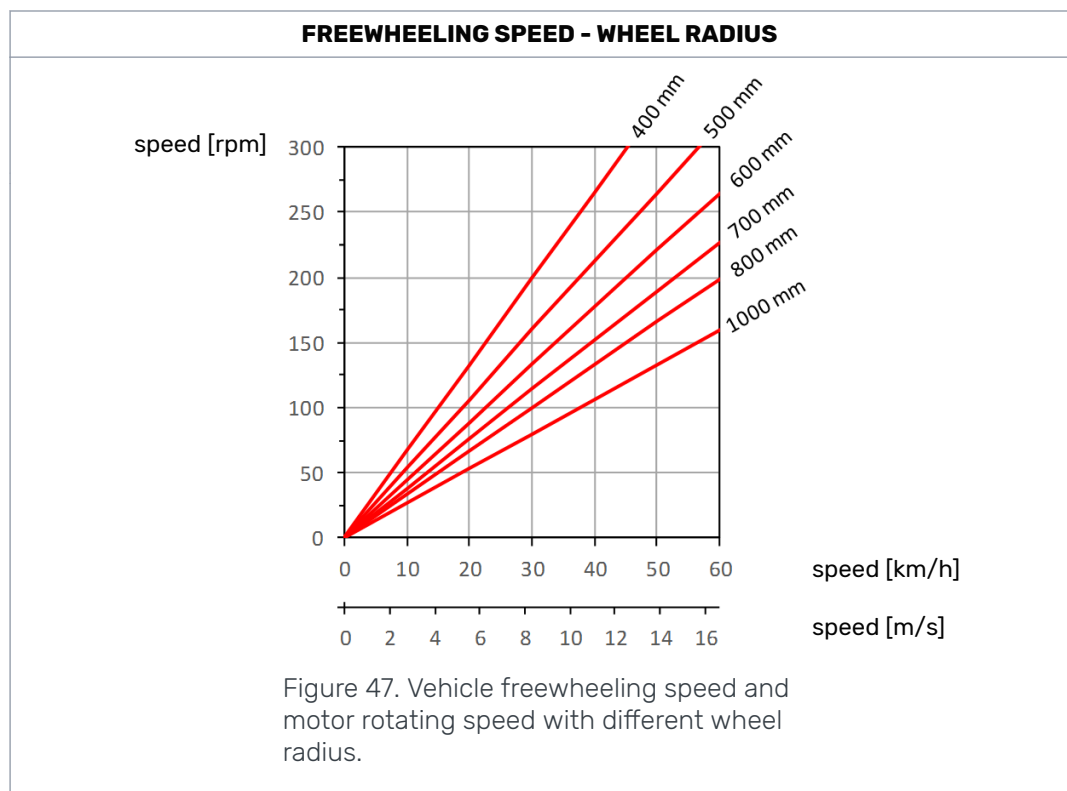
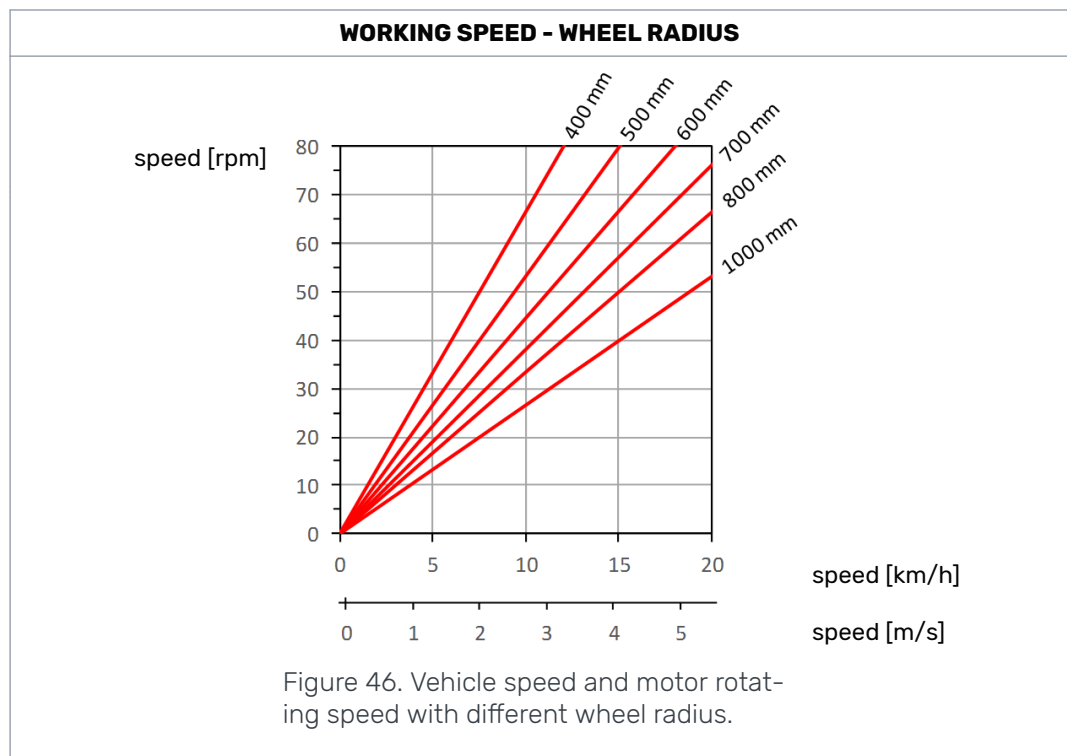
RPM = rotating speed [rpm]
 KMH = vehicle speed [km/h]
 MPS = vehicle speed [m/s]
 R = wheel radius [mm]
 V = displacement [ccm]
 Q = flow rate in working lines [l/min]

FLOW RATE

$$Q = \frac{\text{RPM} \cdot V}{1000}$$


Note:

Due to motor dynamics, a constant smooth operating speed of under 2 rpm may be difficult to achieve.



5.2.2 Torque

The output torque of the motor is generated by the pressure difference of the working lines (pressure difference between ports A and B)

The output torque of the motor may be estimated with the following equations:

MAXIMUM TORQUE	
$T_{max} = 0,01592 \cdot V \cdot \Delta p$	T = torque [Nm]
STARTUP TORQUE	
$T_o = 0,75 \cdot T_{max}$	V = displacement [ccm]
	Δp = pressure difference [bar]

5.2.3 Power

The operating power of the motor should be determined for all operating conditions. The operating power may be calculated with the following equation:

$P = \frac{Q \cdot p_w}{600}$	P = power [kW]
or	Q = flow rate in working lines [l/min]
$P = \frac{V \cdot RPM \cdot p_w}{600\ 000}$	RPM = rotating speed [rpm]
	V = displacement [ccm]
	p_w = working pressure [bar]



Note: Rough estimate of the operating power may be checked by dividing the available hydraulic power between the motors.

5.3 Performance charts

5.3.1 B140/B240 motors performance curves

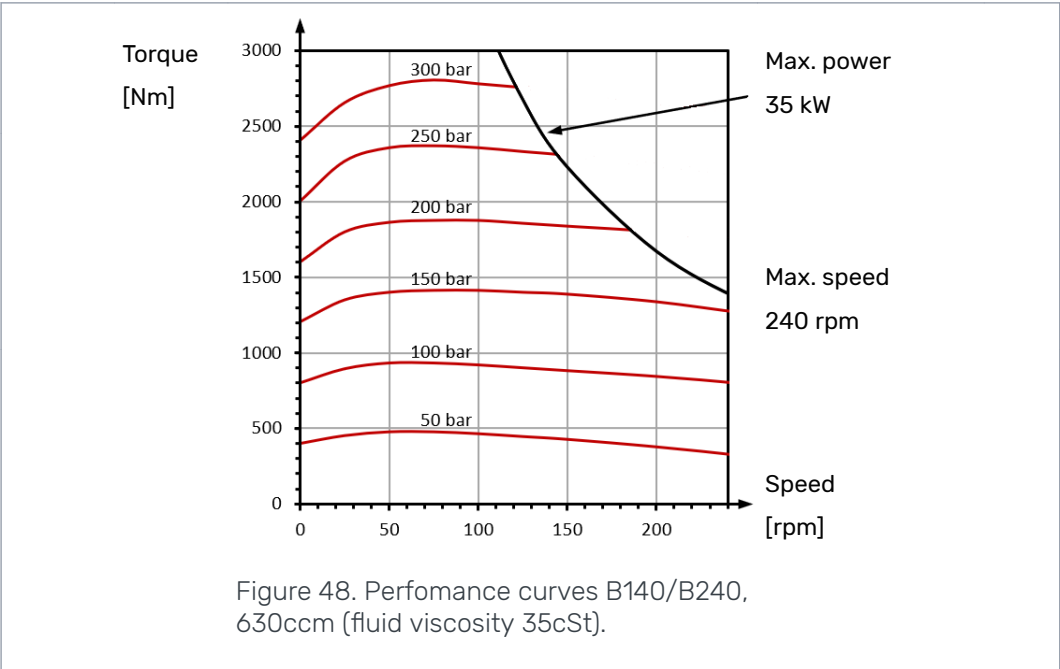
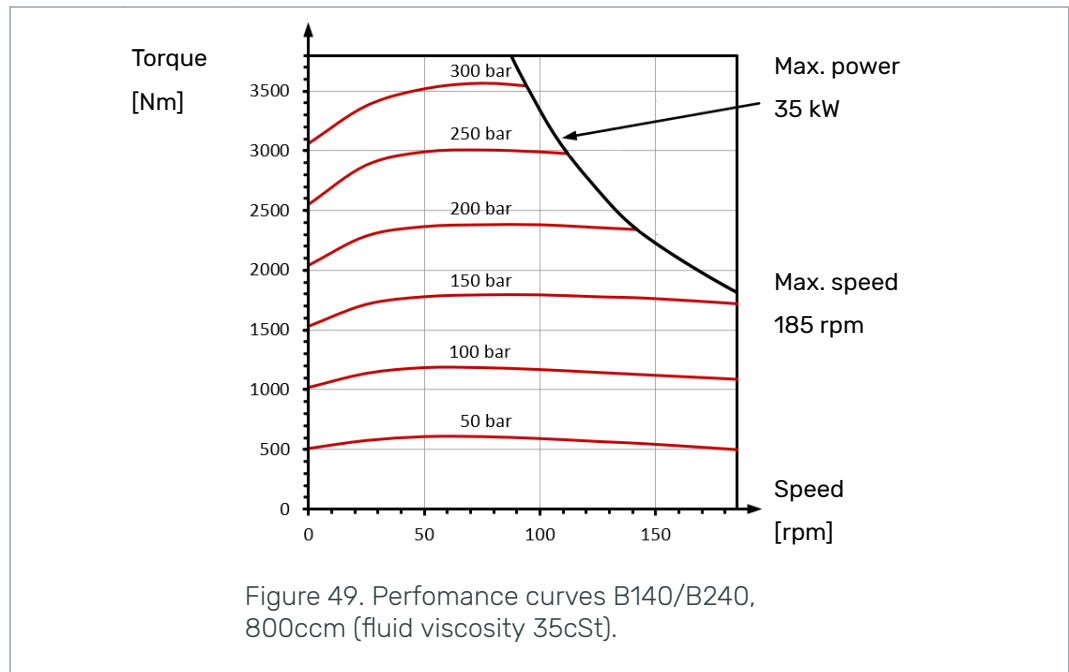
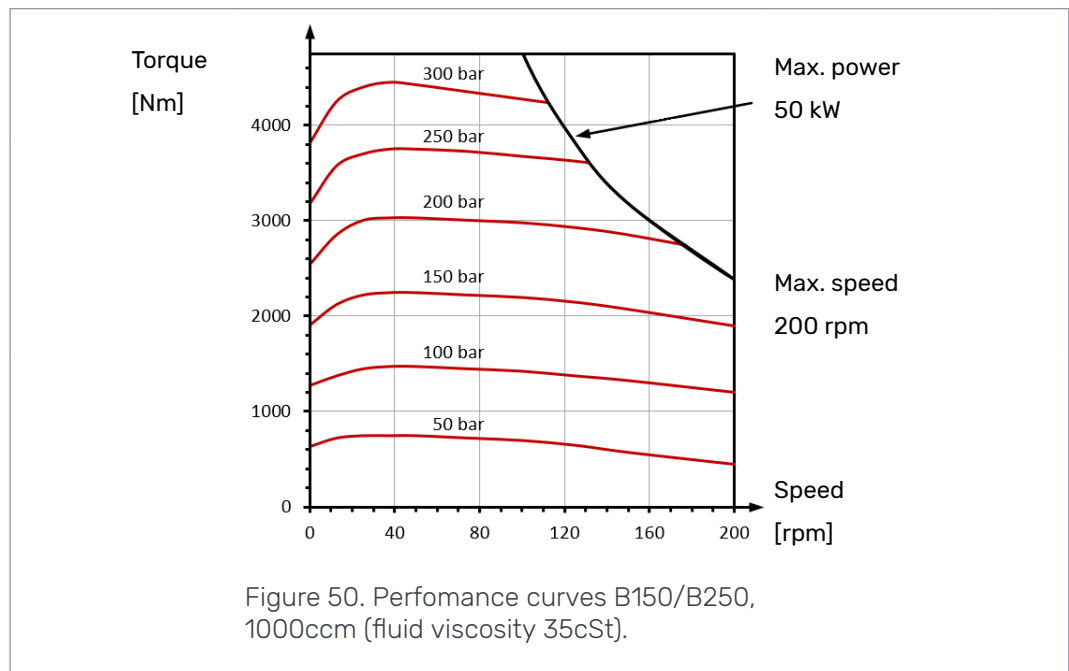


Figure 48. Performance curves B140/B240, 630ccm (fluid viscosity 35cSt).

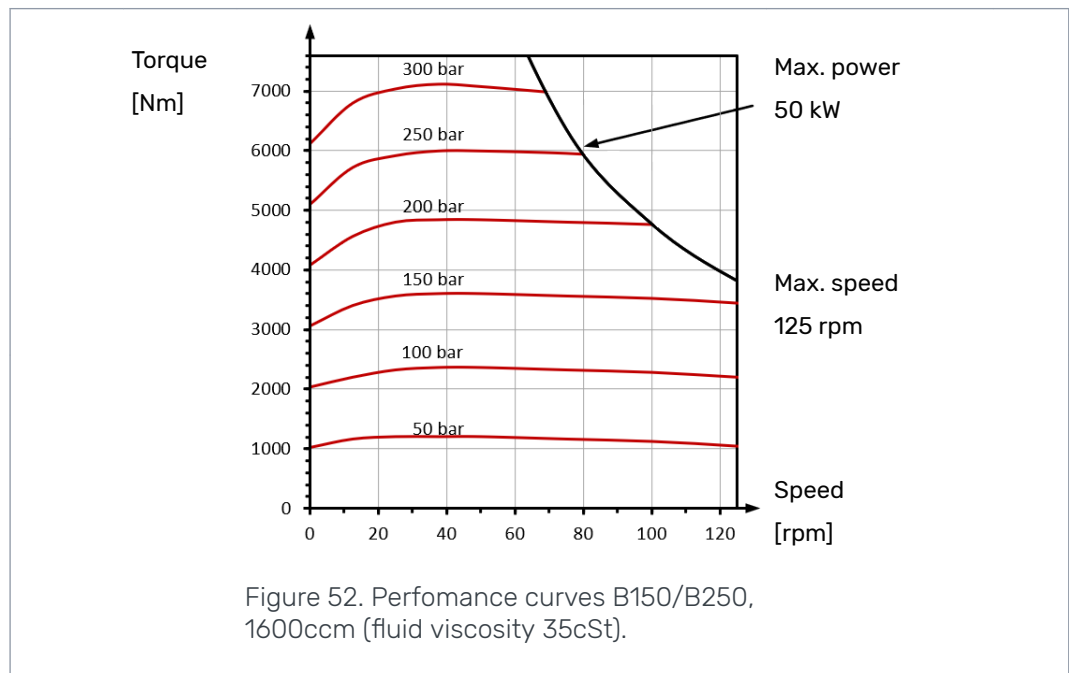
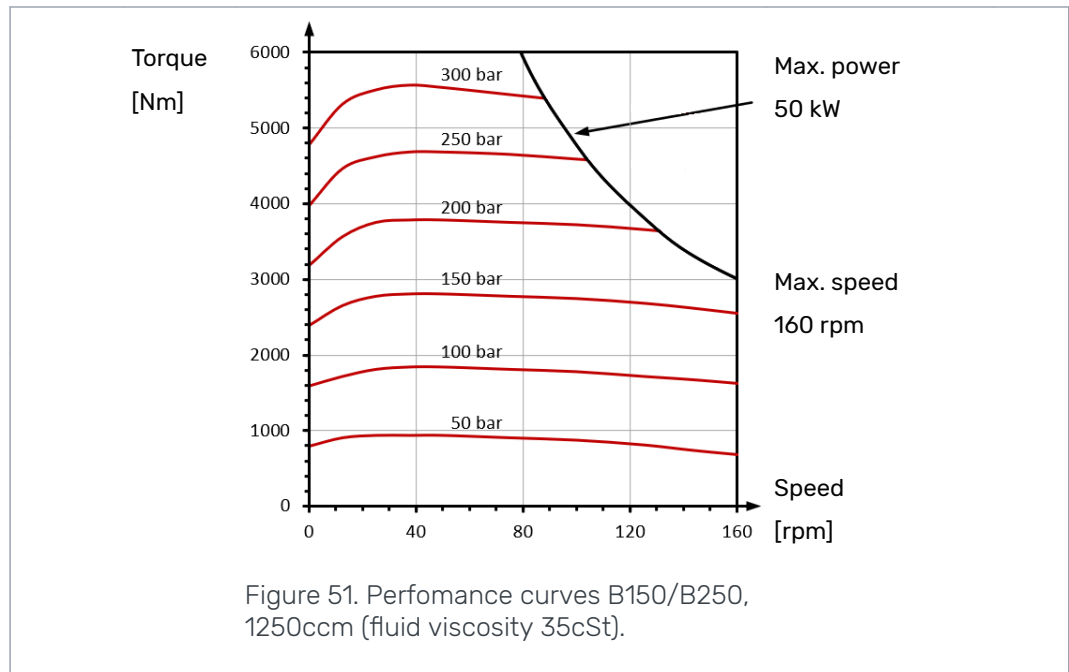


5.3.2

B150/B250 motors performance curves

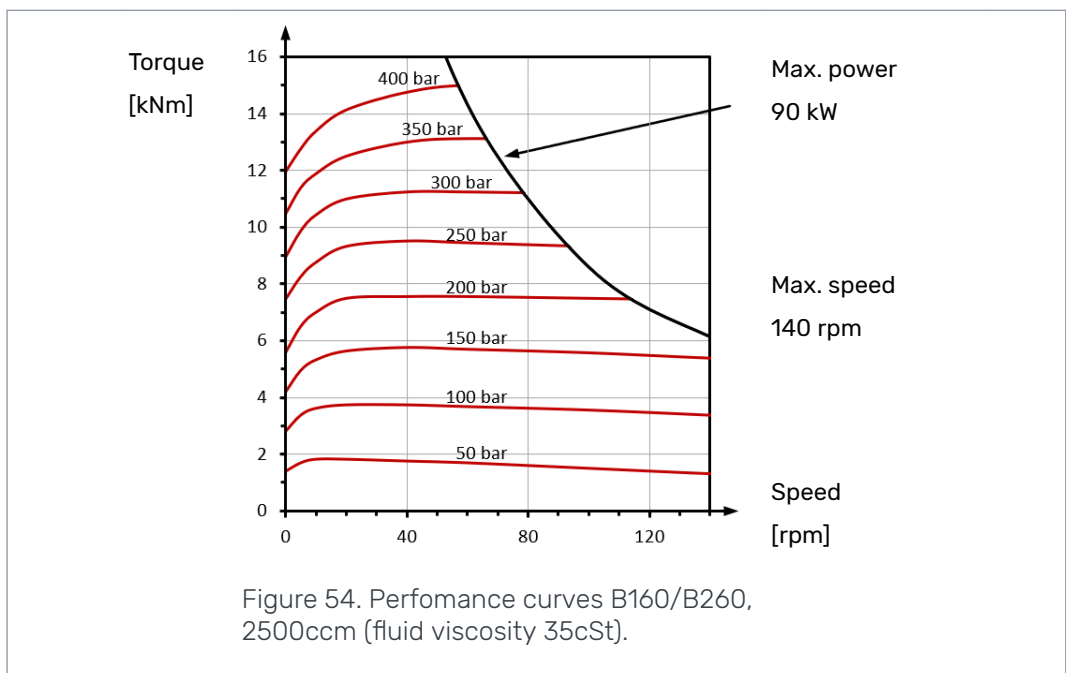
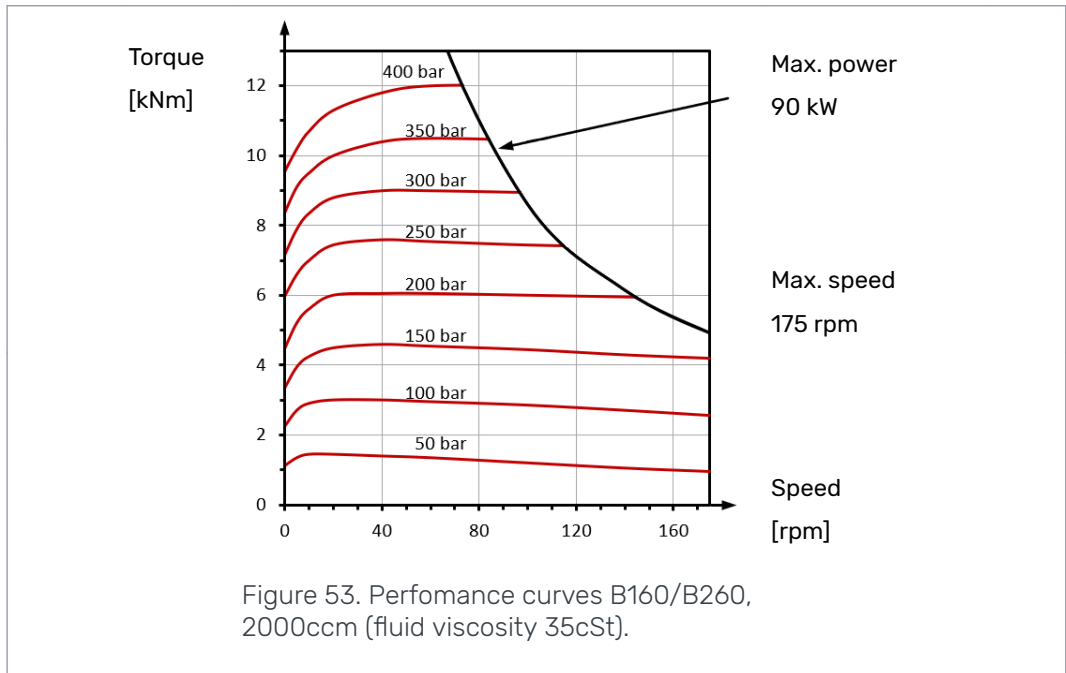


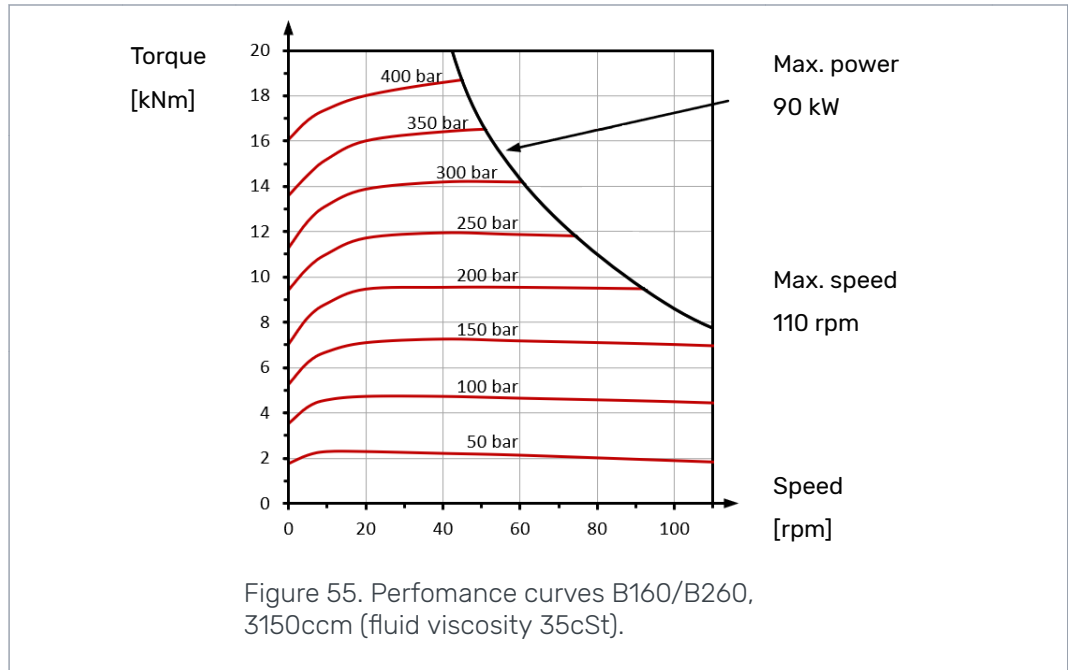
Motor Sizing



5.3.3

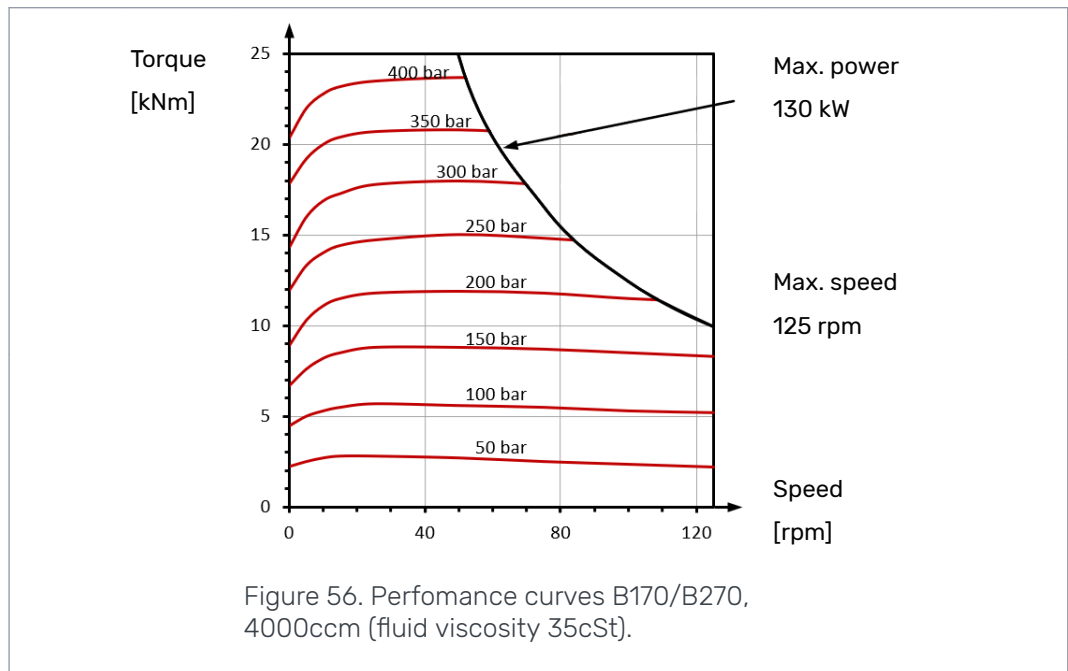
B160/B260 motors performance curves

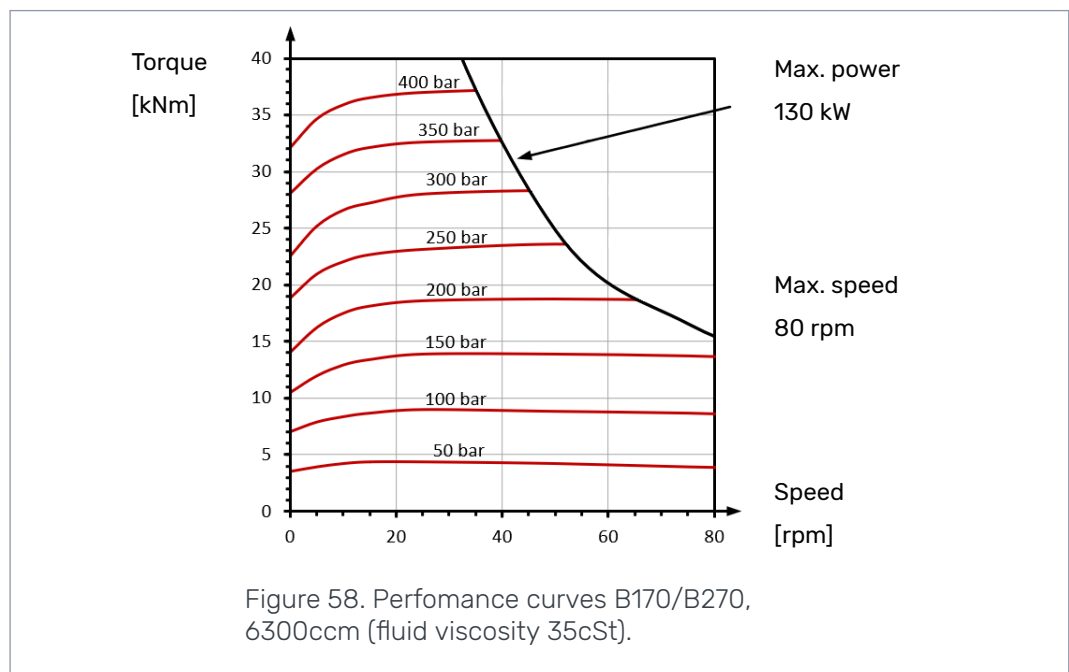
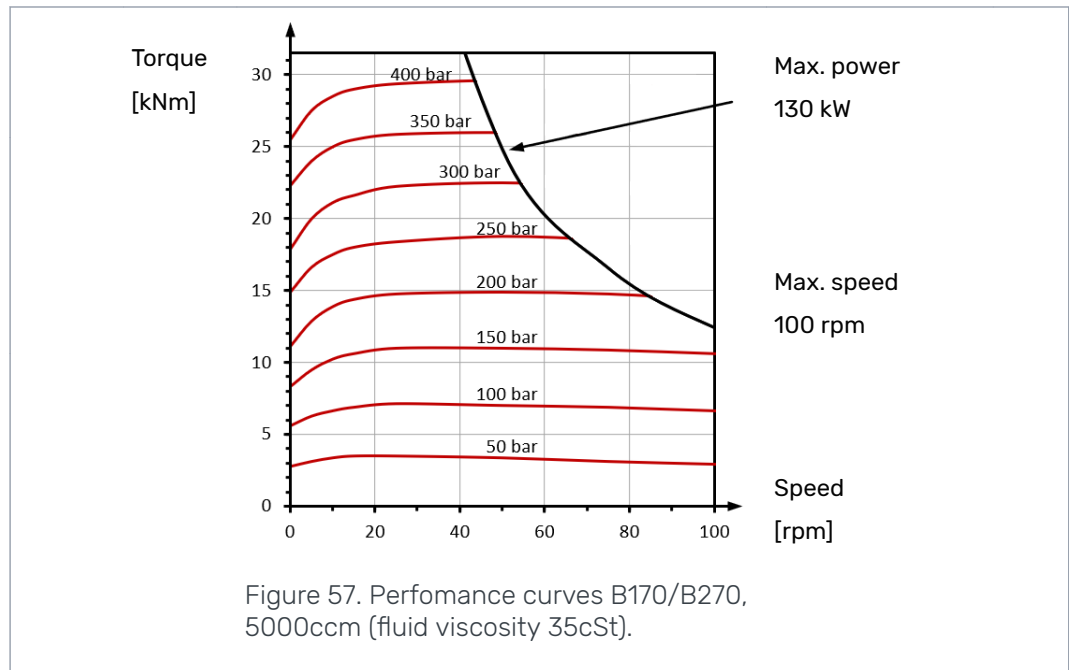




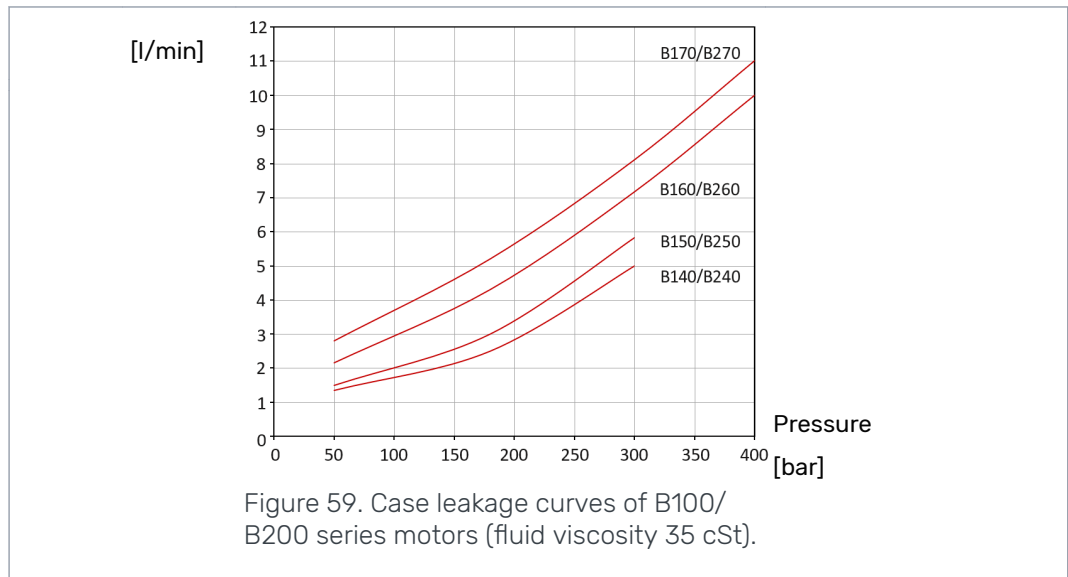
5.3.4

B170/B270 motors performance curves





5.4 B100/B200 motors case leakage



6 Installation Instructions

6.1 Mounting the motor

The installation dimensions and tightening torques are given in the product datasheet.

Check the following things for mounting the motor:

- The counter surfaces must be clean and even.
- Make sure that the strength class (grade) of the fastening screws is sufficient.
- Make sure that the fastening screws are of suitable size and length.
- The fastening screws should be cleaned and oiled lightly before installing them.
- Use threadlocker only if necessary, removing the old threadlocker may be difficult.
- Remove any old threadlocker before mounting the motor.



Note:

When replacing fastening screws with new ones, renew all of the screws.



Attention:

When using stud bolts, do not tighten the bolt. Tightening of the stud bolt is done with the nut.

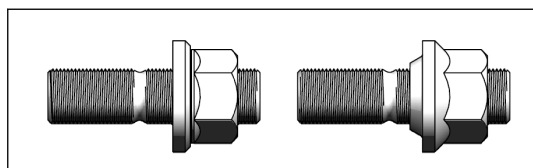


Figure 60. Stud bolt variants.

6.2 Flushing the hydraulic system

Prior to connecting the motor as part of the hydraulic system, the hydraulic circuit of the motor must always be flushed by circulating hydraulic fluid through a filter installed in place of the motor.

The flushing is carried out by circulating hydraulic fluid through the entire system with a minimum pressure for at least an hour.

- After flushing, renew all filters.



Note:

Flushing the hydraulic system should also be performed after every system modification or repair.

6.3 Air bleeding procedure

Air bleeding procedure is carried out to fill the housing of the motor completely with hydraulic fluid. Air is removed from the housing with air bleeding screws as follows:

- Locate the air bleeding screws of the housing and turn the motor to a position in which the screw is at its topmost position.
- Make sure the drain line of the motor is connected.

- Feed hydraulic fluid into the motor with low pressure throughout the procedure.
- Unscrew the air bleeding screw by half a turn and let air escape from the housing.
- Close the screw when only hydraulic fluid is pouring through it.
- Tighten the screw to a torque of 39 ± 3 Nm.

The location of the air bleed screws is given in the product datasheet.



Note:

If feed pressure is not available, fill the housing manually by pouring hydraulic fluid in the motor through the topmost opening of the housing.

6.4 Commissioning procedure

Ensure that the following things are in order before starting a new or replaced motor:

- The hydraulic circuit of the motor is flushed.
- Motor is installed appropriately.
- Air bleeding procedure is carried out.
- The reservoir of the hydraulic system is full.

During the initial stages of use, also take the following things into consideration:

- Do not run the motor immediately with full power. Increase the load and speed of rotation gradually.
- Observe the motor and the hydraulic system for external leaks or abnormal noises during the commissioning procedure.
- Start the motor break-in.



Note:

During all installation and service procedures, plug any open ports and hoses.

When filling the reservoir, add hydraulic fluid through a filter.



Attention:

Do not start the motor, if the air bleeding procedure has not been carried out.

Stressing an unused motor with full power may cause premature wear or failure of the motor.

7 Operating Instructions

7.1 Break-in period

The motor achieves its final properties during the first hours of use. Therefore all new and reconditioned motors should go through an initial break-in period.

Things to be considered during break-in period:

- The break-in period should last for at least first eight hours (8 h) of use.
- The power output should remain under 50 % of the maximum power capacity of the motor.
- The power output is limited by limiting the working pressure, the speed of rotation or both.
- The working pressure should be limited so, that pressure peaks which last over two seconds (2 s) remain under 75 % of the permissible values.



Note:

During the break-in period, the moving parts of the motor wear against each other so, that the wear of the parts sets to a stable state for the entire service life of the motor.

7.2 Use

Things to be considered during use of motors:

- Check the screw connections tightening torque and hydraulic connections regularly.
- Do not use pressure cleaning directly between the shaft flange and housing of the motor (the shaft seal area).
- Avoid situations in which the motors are completely submerged in water or mud.

7.3 Operating temperature

The operating temperature means the internal temperature of the motor. Take into considerations the following requirements for the operating temperature:

- For improved service life, avoid over 70 °C (158 °F) operating temperature.
- The highest permissible intermittent operating temperature is 85 °C (185 °F).
- The lowest permissible operating temperature is -35 °C (-31 °F).
- The temperature difference between the motor and the hydraulic fluid should be under 60 °C (140 °F).

The operating temperature may be measured from the hydraulic fluid returning from the motor. Take into account the temperature of hydraulic fluid returning from the drain line and from the return line (A or B).

7.4 Demounting the motor

Take into consideration the following things when demounting the motor for service or replacement:

- Release the pressure in the hydraulic lines and let the motor cool down.
- Disconnect all the hydraulic lines from the motor and plug all openings and hoses.
- Demount the motor and lift it away from its position.

Operating Instructions

- Clean the outside of the motor thoroughly, but do not use any solvents.
- Protect the cleaned motor from corrosion.
- If possible, drain all the hydraulic fluid from the motor.



Note:

Dispose of hydraulic fluid should be done appropriately.

8 Special Instructions

8.1 Storing the motor

During short term storage of the motor, the following should be taken into consideration:

- Cover any pressure openings and open threaded holes with suitable caps.
- Protect the unpainted surfaces from dirt and moisture.
- Store the motor in a dry place with relatively stable temperature.
- The motor should not be stored in a same place as substances with aggressive corrosive nature (solvents, acids, alkalis and salts).
- The motor should not be exposed to strong magnetic fields.
- The motor should not be exposed to strong vibration.



Note:

For long-term storage (over 9 months) the following additional actions are recommended:

- Damages to surface paint must be repaired.
- Protect the unpainted surfaces with suitable anti-corrosion treatment.
- Fill the motor completely with hydraulic fluid.

If these instructions are followed, the motor may be stored for approximately two years. However, as storage conditions do have a significant effect, these times should only be considered as guide values.

No POWER like it.



Black Bruin Inc.

+358 20 755 0755
P.O. Box 633, FI-40101 JYVÄSKYLÄ, FINLAND

www.blackbruin.com
info@blackbruin.com

All the information contained in this publication is based on the latest information available at the time of publication. Black Bruin Inc. reserves the right to make changes without prior notice.