



*installed in minutes
no welding
metal-to-metal
sealed*

*certified
Swiss original*

High Precision Performance Connection



product catalogue

Q21 14



Haelok – the company

Haelok Inc, **the inventor of one of the world's strongest mechanical pipe connection**, is a Zurich, Switzerland based privately held company, founded in 2005.

It's main focus is on the development, production and distribution of **its unique metal sealed pipe connector system**. The company is **ISO 9001 certified** and has global product approvals for different uses.

Haelok fittings are considered **the only mechanical alternative to welding** and Haelok delivers the best products for even the most demanding pipe fitting applications.

Our international client base proves our ability to provide first class service for global companies and customers – in short to solve today's pipe-connection challenges we are **the "perfect fit"**.



Approved by major classification societies

Det Norske Veritas

Germanischer Lloyd

**Wehrtechnische Dienststelle
für Schiffe und Marinewaffen**

Lloyd's Register of Shipping

Lloyd's Register

Conformity to ASME B31.1 & B31.3





table of contents

product catalogue 2Q14

Company Profile	
The Haelok System „the perfect fit“	4-7
Certificates and Tests	8-9
Application range, Pipe Specifications	10-11
Fitting Information Stainless Steel	13-35
Fitting Information Carbon Steel	37-59
Tools and Parts	60
Installation Guide	68

Disclaimer:
The technical data are not binding and not expressly warranted characteristics of the goods. These are subject to change. Please consult our General Terms and Conditions. Additional information is available upon request. It is the Designer's and Engineer's responsibility to select products suitable

for the intended service and to ensure that pressure ratings and performance data is not exceeded. **Always read and understand the installation instructions.** Never remove any piping components nor correct or modify any piping deficiencies without first depressurize and draining the system. Plant a tree and be nice to the elderly.

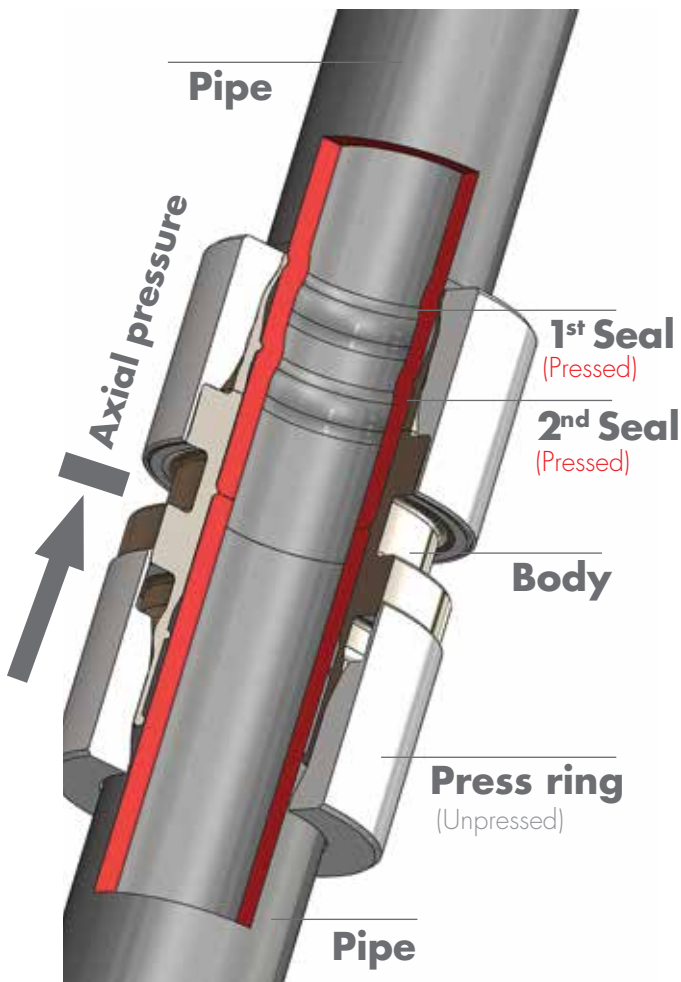
The HAELOK System „the perfect fit“

The HAELOK System, invented and perfected in Switzerland, provides **pure metal to metal sealing** onto the pipe utilizing its uniquely formed wedge design.

The HAELOK System guarantees a perfect connection of pipes in a few minutes and without welding. **Axial pressing** with up to 60tons creates a "**mechanical welding equivalent**" pipe-connection.

This unique pipe-connection system, without gaskets, ensures highly hermetic sealing for pipe dimensions from 12 mm up to 168.3 mm (6") and more.

Reliability and quality is machined into HAELOK System's unique design, and it's paired with an unparalleled ease of installation. To get the perfect connection within minutes you're not reliant on the skills of the installer, as it **can be installed even by unskilled workers.**



**Average time to install a fitting:
less than one minute,
even by unskilled workers.
Imagine the benefits.**

Quick, safe, simply brilliant

The industrial pipe construction places enormous demands on safety, durability, speed and last but not least cost effectiveness. These are the criteria upon which pipe systems are selected and applied.

HAELOK pipe connection systems offer an incredibly fast, certified, safe and cost effective press fitting solution second to none. The only alternative to HAELOK fittings is welding, but the HAELOK system offers a safe, reliable, purely metallic sealing solution for fluid and gas systems in minutes! And yes, these connections are fully capable for very high temperatures and high pressures and offer ample performance reserves, certified by countless international test results and certificates.

Haelok fittings can be used in different materials, such as stainless steel, carbon steel, or others on request.

Time savings

HAELOK short installation time is one of its great benefits. The HAELOK system reduces the installation efforts up to a factor 10 to welding! Our piping system is connected quickly, efficiently and without any open flame, offering maximum security.



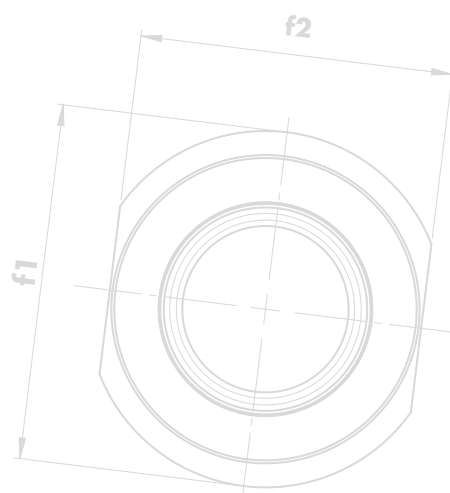
Price/Performance

Safe, stable and permanent metallic sealed connections without gaskets is a primary objective in all areas of industrial pipe installation, and the HAELOK system can deliver exactly this.

The total installation costs and time are substantially lower than any other application on the market, making the HAELOK pipe-fitting system the installation of choice.

Various applications

For many different applications, various pipe diameters, materials and fluid contents HAELOK is "the perfect fit" and can supply the appropriate fittings and press tools for every job. At your installation site there's absolutely no need for welding or screwing and the only control necessary after installation is a simple visual check to know that your connection is installed correctly and the system is safe and secure.



Safety and Reliability

Quality and reliability is "machined" into the HAELOK system – the easy to install press technology eliminates all obvious hazards, the metal-to-metal sealing's stress resistance is unrivalled, now certified up to 1140bar.

- **Purely metallic seal without any further material**
- **No hot work, fire or explosion risks are eliminated**
- **Spark free**
- **Zero contamination in the pipe**
- **Gas tight**
- **Stress resistance equal to welding**
- **Serial numbers guarantee traceable material and process information down to every fitting**
- **Swiss precision**

Cost benefits

The easy handling of the HAELOK system not only dramatically reduces installation costs, but also provides the most secure and consistent quality through the installation process - and during the lifetime of the pipe system.

HAELOK system saves time and labor cost thus reduces total installation cost significantly. It increases your margins and your chances to win more projects.

- **Faster installation, therefore a real cost advantage**
- **No need for certified labour**
- **No high-precision pipes needed**
- **Works equally well with seamless and welded pipes**
- **No inspection by X-ray or other methods needed**
- **Substantially reduces downtime during maintenance**

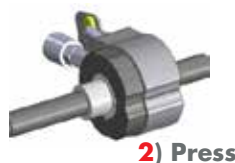
Installation Benefits

The easy to handle and install press technology eliminates all obvious hazards and risks that are common during welding. And compared to cutting ring fittings, and other applications the HAELOK systems prevails.

- **About 10x faster than welding**
- **No fire or explosion risk**
- **No need for "gas free" environment**
- **No need to dry or drain the system**
- **Works in small, difficult to access spaces**
- **Supplied pre-assembled, no assembly errors**
- **Very simple installation**



versus



The Haelok press tool

The hydraulic installation tool behind the world's strongest mechanical pipe connection, installs the HAELOK fittings in a few simple steps. It delivers every-time accurate, reliable and repeatable results, regardless of the fitting material or the mood of the installer. The HAELOK press tool generates form and restrained pipe joint up to 60(!) tons of axial pressure, forming a physical cold forming of pipe and fitting. It's as strong as welding - but the only mechanical alternative.



detailed description
of the
Haelok Press Tools
see page 62

The Haelok press tools are characterized by:

- **Fully automatic press process**
- **Very short press times (<1 min)**
- **Ergonomic design easy to handle**
- **Reduced weight**
- **Various models: The right tool for every job**

The Haelok System Test Requirements and Certificates

Test requirements

The following tests have been carried out and **passed** in accordance with IACS (International Association for Classification of Ships) unified rules for piping, design and testing URP 2.11:

Tightness test requirement

- 70 bar with nitrogen (N₂)
- tested for 5 min tight

Pull-out test requirement

- 1 x PN + F_{ax} (PN as appropriate)
- tested for 5 min. without leakage or other faults

Burst pressure tests (see results p10)

- 4 x PN
- tested for over 5 min tight without any leakage

Vibration- (1) and Pressure pulsation- (2) tests

- (1) defined amplitude over 10x10⁶ cycles at frequencies of 20-50Hz
- (2) 1,5 x PN over 500'000 cycles

Vacuum test requirements

- 300mbar absolute
- tested for > 15 min tight

Fire resistance requirements

- Proofed to ISO 19921 and certified to IACS P.2.11.5.5.6.
- Full compliance with API-6FB
- 800°C, tested for 30min, with no pressure loss



International certification standards

Haelok is in full conformity to ASME and fulfills all requirements of IACS (International Association for Classification of Ships). IACS is regarded as the most demanding industry certification. Haelok holds following certificates:



German Lloyd

Haelok has the **certificate 91759-97 HH** and complies to the regulations for the performance of type tests on mechanical components and equipment, Part D9 of German Lloyd.



Det Norske Veritas

Haelok has the **certificate P-13887** and complies to the standard for certification No. 2.9 of the type approval program No. 5-792.20.



Lloyd's Register

Haelok has the **certificate**



Wehrtechnische Dienststelle für Schiffe und Marinewaffen, (WTD71)

Haelok has the **certificate 2012 of the WTD** of the German Marine.



Russian Maritime Register of Shipping

Haelok has been awarded with the **certificate No. 09.00419.009**



American Society of Mechanical Engineers (ASME)

Haelok pressfittings are in conformity to **ASME B31.1 Power Piping / B31.3 Process Piping**

Technical specifications

Standards:

Temperature range: **-55 °C up to +400 °C**

Working pressure: **up to 1137 bar (see list below)**

Standards: Useable for seamless and welded pipes with the dimensions to **EN ISO 1127, EN 10220 D3/T3, ASTM A213 and ASTM A269**

Materials:

Press Ring and Fitting Body: Carbon steel **1.0570 (AISI 1024)** or Stainless steel **1.4404 (AISI 316L)**

in all combinations, other materials on request

Pipe diameters:

13.5 – 168.3 mm (Outside diameter in inch)

12 – 80 mm (Outside diameter metric)

bigger diameters on request

Applications and burst pressure tests

DN	Size	OD	s	d _i	PN ¹⁾ (test to IACS)	Burst Pressure test ²⁾	Pressure for normal ap- plication ³⁾
10		12	1,8	8,4	300bar	1137bar	600bar
10	¼"	13,5	1,8	9,9	200bar	800bar	400bar
12	⅜"	17,2	1,8	13,6	200bar	800bar	400bar
15		18	1,8	14,4	200bar	800bar	400bar
15		20	2	16	200bar	800bar	400bar
15	½"	21,3	2,0	17,3	200bar	800bar	400bar
18		22	2,3	17,4	200bar	800bar	400bar
20		25	2,6	19,8	200bar	800bar	400bar
20	¾"	26,9	2,3	22,3	200bar	800bar	400bar
		28	2,6	19,8	200bar	800bar	400bar
25		30	2,6	24,8	200bar	800bar	400bar
25	1"	33,7	2,6	28,5	200bar	800bar	400bar
		35	2,5	30	150bar	600bar	300bar
32		38	2,6	32,8	150bar	600bar	300bar
32	1¼"	42,4	2,6	37,2	150bar	600bar	300bar
40	1½"	48,3	2,6	43,1	150bar	600bar	300bar
		54	3,6	46,8	150bar	600bar	300bar
50	2"	60,3	2,6	55,1	150bar	600bar	300bar

¹⁾Nominal pressure PN for shipbuilding

²⁾Burst pressure proofed at 4-times nominal pressure over 5min

³⁾Pressure for doubled safety factor

The Haelok System

Pipe specifications

Pipe specifications

Seamless and welded pipes with dimensions to ASTM A213/A269, EN 10220:2002 for Carbon Steel Pipes, and to EN ISO 1127:1996 for stainless steel pipes. Pipes shall be of good quality, fully annealed construction with **maximum Rockwell B scale hardness of 90**.

Admissible pipe tolerances:

to EN ISO 1127 or EN 10220

Outside diameter D3: $\pm 0,75\%$, but min. $\pm 0,3\text{mm}$
 Wall thickness T3: $\pm 10\%$, but min. $\pm 0,2\text{mm}$
 Hardness: ≤ 90 HRB

to ASTM A213/A269

Outside diameter D3: 13,72 to 38,1mm: $\pm 0,13\text{mm}$
 38,1 to 88,9mm: $\pm 0,25\text{mm}$

Wall thickness T3: $\pm 10\%$
 Hardness: ≤ 90 HRB

Outside diameter in Inch

Pipe serie 1 to EN 10220, to EN ISO 1127 with tolerances D3/T3 and to ASTM A213/A269:

DN	Size	OD ¹⁾	OD ²⁾	s	d
10	1/4"	13,5	13,72	1,8	9,9
	3/8"	17,2	17,15	1,8	13,6
15	1/2"	21,3	21,34	2,0	17,3
20	3/4"	26,9	26,67	2,3	22,3
25	1"	33,7	33,41	2,6	28,5
32	1 1/4"	42,4	42,16	2,6	37,2
40	1 1/2"	48,3	48,26	2,6	43,1
50	2"	60,3	60,33	2,6	55,1
65	2 1/2"	76,1	73,0 ³⁾	3,6	68,9
80	3"	88,9	88,9	4,8	79,3
100	4"	114,3	114,3	6	102,3
125	5"	139,7	141,3 ³⁾	7,1	125,5
150	6"	168,3	168,3	8	152,3

¹⁾Pipe series 1 to EN 10220:2002 or to EN ISO 1127

²⁾Pipes according to ASTM A213/A269

³⁾Outside diameters (OD) of pipes to ASTM 213/269 make separate fitting size necessary

Metric outside diameter

pipe series 2 and 3 to EN 10220 or to EN ISO 1127 with the tolerances D3/T3:

DN	OD	s	d _i
10	12	1,8	8,4
15	18	1,8	14,4
15	20	2,0	16
18	22	2,3	17,4
20	25	2,6	19,8
	28	2,6	22,8
25	30	2,6	24,4
32	35	2,6	29,8
	38	2,6	32,8
	54	3,6	46,8

Dimensioning of the wall thickness:

The dimensioning of the pipes is done to DIN 2413 or to ANSI B 31.3 for a given pressure for the particular application. For further specifications consult the pipe manufacturers.

Technical definitions:

(see drawings on following pages)

M: Metric screw thread to DIN ISO 261

R_p: Cylindrical internal thread with pressure tight joints which are made on the threads to EN 10226-1

R: Cylindrical external thread with pressure tight joints which are made on the threads to EN 10226-1

G: Cylindrical internal and external thread with pressure tight joints which are not made on the threads to ISO 228-1

DN: Diamètre Nominal - Nominal size (inside diameter)

PN: Pression Nominal - Nominal pressure

OD: Outside Diameter

s: wall thickness

d_i: inside diameter



Fitting product catalogue

for stainless steel pipes

according to EN 10216-5 and EN 10217-1 and -7

Haelok Straight Fitting

for **stainless steel pipes** to

EN 10216-5 and EN 10217-1 and -7

Dimensions to EN ISO 1127, rows 2 and 3

Pipe fitting materials:

Body **Stainless steel 1.4404 (AISI 316L)**, Press ring **Carbon steel 1.0570 (AISI 1024) galvanized**

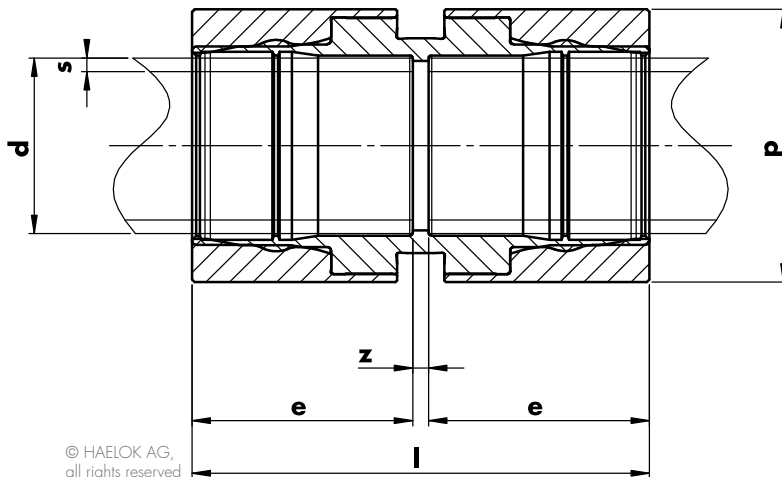


Metric outside diameter

d	Code No.	p	s	l	e	z	Weight (g)
12	HLK-10SF-12-XC	19	1,5	35	17	1	110
18	HLK-10SF-18-XC	28	1,5	52	25	2	180
20	HLK-10SF-20-XC	31	2	52	25	2	180
22	HLK-10SF-22-XC	33,9	2	52	25	2	190
25	HLK-10SF-25-XC	36,9	2,5	52	25	2	210
28	HLK-10SF-28-XC	39,9	2,5	52	25	2	229
30	HLK-10SF-30-XC	46,9	2,5	87	42	3	641
35	HLK-10SF-35-XC	53,2	2,5	87	42	3	760
38	HLK-10SF-38-XC	54,9	3	87	42	3	776
54	HLK-10SF-54-XC	73,3	4	87	42	3	1300

All dimensions in millimeters, except specially marked
Errors and technical changes reserved

Other dimensions or materials on request



© HAELOK AG,
all rights reserved

We reserve all rights in this document and its subject matter. The recipient hereby acknowledges these rights and document only for the purpose it was delivered. © HAELOK INC, Zurich

Haelok Straight Fitting

for **stainless steel pipes** to

¹⁾ EN 10216-5 and EN 10217-1 and -7, Dimensions to EN ISO 1127, row 1

and to

²⁾ ASTM A213/A269

Pipe fitting materials:

Body **Stainless steel 1.4404 (AISI 316L)**, Press ring **Carbon steel 1.0570 (AISI 1024) galvanized**



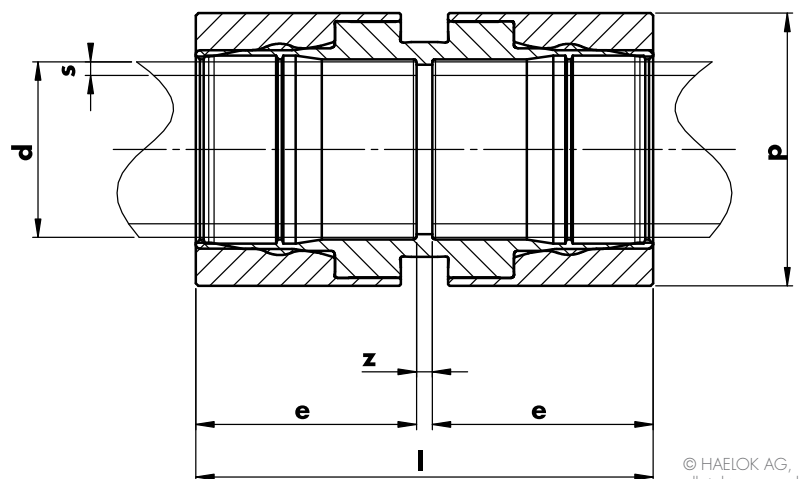
Inch outside diameter

d	OD ¹⁾	OD ²⁾	Code Nr.	p	s	l	e	z	Weight (g)
1/4"	13,5	13,72	HLK-10SF-13-XC	24	1,8	35	17	1	110
3/8"	17,2	17,15	HLK-10SF-17-XC	28	1,8	52	25	2	140
1/2"	21,3	21,34	HLK-10SF-21-XC	33	2	52	25	2	180
3/4"	26,9	26,67	HLK-10SF-26-XC	38,9	2,3	52	25	2	223
1"	33,7	33,41	HLK-10SF-33-XC	51,9	2,6	87	42	3	770
1 1/4"	42,4	42,16	HLK-10SF-42-XC	60,9	2,6	87	42	3	941
1 1/2"	48,3	48,26	HLK-10SF-48-XC	67,9	2,6	87	42	3	1108
2"	60,3	60,33	HLK-10SF-60-XC	81	2,9	87	42	3	1445
2 1/2"	76,1	73,0 ^{A)}	HLK-10SF-76-XC	98	3,6	102	39	24	2400
3"	88,9	88,9	HLK-10SF-88-XC	111	4,8	102	39	24	2800
4"	114,3	114,3	HLK-10SF-114-XC	138	6	102	39	24	3900
5"	139,7	141,3 ^{A)}	HLK-10SF-139-XC	169	7,1	127	49	29	7600
6"	168,3	168,3	HLK-10SF-168-XC	202	8	127	49	29	11200

A) Separate press
Fittings on request

All dimensions in millimeters, except specially marked
Errors and technical changes reserved

Other dimensions or materials on request



© HAELOK AG,
all rights reserved

We reserve all rights in this document and its subject matter. The recipient hereby acknowledges these rights and document only for the purpose it was delivered. © HAELOK INC, Zurich

Haelok **Straight Repair**

for **stainless steel pipes** to

EN 10216-5 and EN 10217-1 and -7

Dimensions to EN ISO 1127, rows 2 and 3

Pipe fitting materials:

Body **Stainless steel 1.4404 (AISI 316L)**, Press ring **Carbon steel 1.0570 (AISI 1024) galvanized**

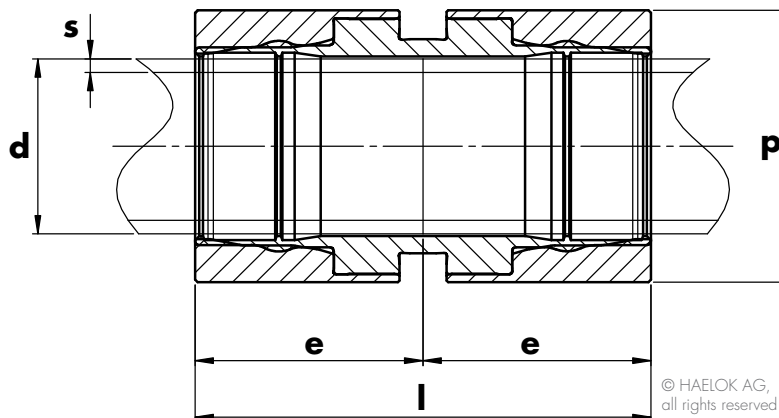


Metric outside diameter

d	Code Nr.	p	s	l	e	Weight (g)
12	HLK-1OSR-12-XC	19	1,5	35	17,5	110
18	HLK-1OSR-18-XC	28	1,5	52	26	180
20	HLK-1OSR-20-XC	31	2	52	26	180
22	HLK-1OSR-22-XC	33,9	2	52	26	190
25	HLK-1OSR-25-XC	36,9	2,5	52	26	210
28	HLK-1OSR-28-XC	39,9	2,5	52	26	229
30	HLK-1OSR-30-XC	46,9	2,5	87	43,5	641
35	HLK-1OSR-35-XC	53,2	2,5	87	43,5	760
38	HLK-1OSR-38-XC	54,9	3	87	43,5	776
54	HLK-1OSR-54-XC	73,3	4	87	43,5	1300

All dimensions in millimeters, except specially marked
Errors and technical changes reserved

**Other dimensions
or materials on request**



© HAELOK AG,
all rights reserved

Haelok Straight Repair

for **stainless steel pipes** to

¹⁾ EN 10216-5 and EN 10217-1 and -7, Dimensions to EN ISO 1127, row 1

and to

²⁾ ASTM A213/A269

Pipe fitting materials:

Body **Stainless steel 1.4404 (AISI 316L)**, Press ring **Carbon steel 1.0570 (AISI 1024) galvanized**



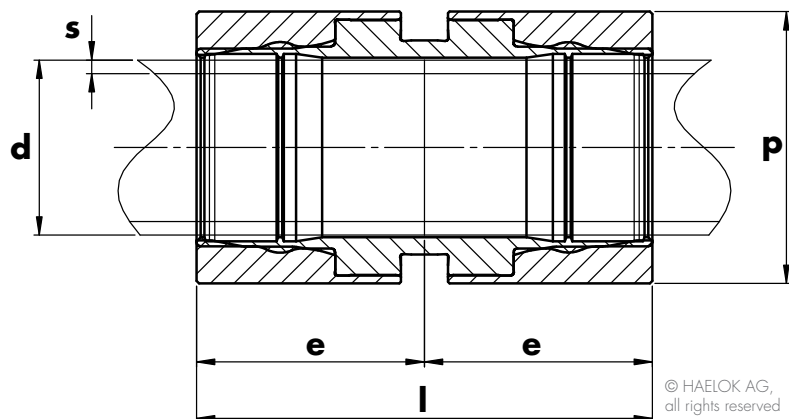
Inch outside diameter

d	OD ¹⁾	OD ²⁾	Code Nr.	p	s	l	e	Weight (g)
¼"	13,5	13,72	HLK-1OSR-13-XC	24	1,8	35	17,5	110
⅜"	17,2	17,15	HLK-1OSR-17-XC	28	1,8	52	26	140
½"	21,3	21,34	HLK-1OSR-21-XC	33	2	52	26	180
¾"	26,9	26,67	HLK-1OSR-26-XC	38,9	2,3	52	26	223
1"	33,7	33,41	HLK-1OSR-33-XC	51,9	2,6	87	43,5	770
1¼"	42,4	42,16	HLK-1OSR-42-XC	60,9	2,6	87	43,5	941
1½"	48,3	48,26	HLK-1OSR-48-XC	67,9	2,6	87	43,5	1108
2"	60,3	60,33	HLK-1OSR-60-XC	81	2,9	87	43,5	1445
2½"	76,1	73,0 ^{A)}	HLK-1OSR-76-XC	98	3,6	102	51	2400
3"	88,9	88,9	HLK-1OSR-88-XC	111	4,8	102	51	2800
4"	114,3	114,3	HLK-1OSR-114-XC	138	6	102	51	3900
5"	139,7	141,3 ^{A)}	HLK-1OSR-139-XC	169	7,1	127	63,5	7600
6"	168,3	168,3	HLK-1OSR-168-XC	202	8	127	63,5	11200

A) Separate press
Fittings on request

All dimensions in millimeters, except specially marked
Errors and technical changes reserved

**Other dimensions
or materials on request**



© HAELOK AG,
all rights reserved

Haelok Distributor 2 outlets

for **stainless steel pipes** to

EN 10216-5 and EN 10217-1 and -7

Dimensions to EN ISO 1127, rows 2 and 3

Pipe fitting materials:

Body **Stainless steel 1.4404 (AISI 316L)**, Press ring **Carbon steel 1.0570 (AISI 1024) galvanized**



Metric outside diameter

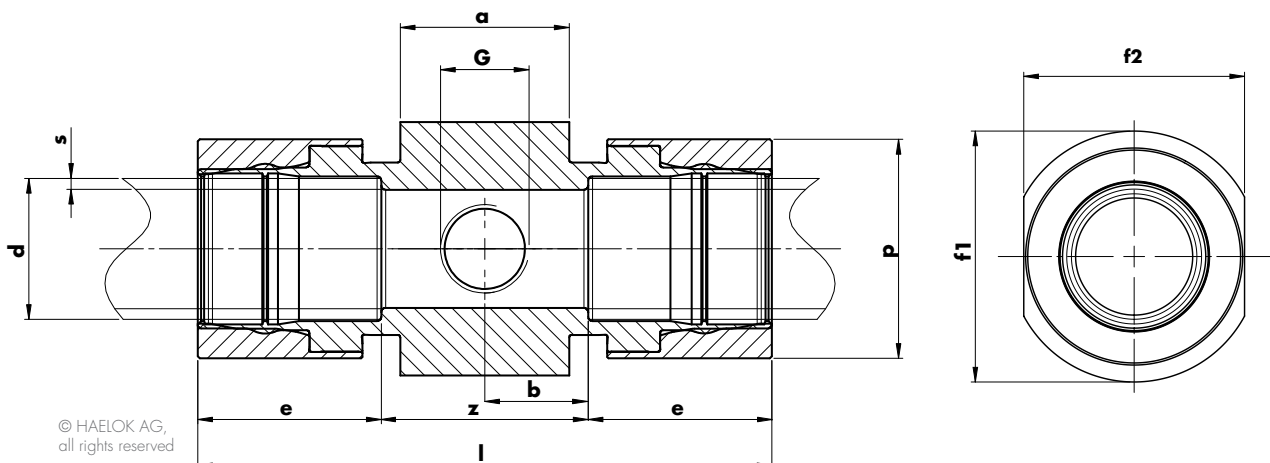
d	Code No.	p	s	l	e	a	b	f ₁	f ₂	G	z	Weight (g)
18	HLK-10D2-18-G38-XC	28	1,5	99	25	40	24,5	49,5	40,5	$\frac{3}{8}$ "	49	660
20	HLK-10D2-20-G38-XC	31	2	99	25	40	24,5	49,5	40,5	$\frac{3}{8}$ "	49	640
22	HLK-10D2-22-G12-XC	33,9	2	99	25	40	24,5	49,5	40,5	$\frac{1}{2}$ "	49	624
25	HLK-10D2-25-G12-XC	36,9	2,5	99	25	40	24,5	49,5	40,5	$\frac{1}{2}$ "	49	630
28	HLK-10D2-28-G12-XC	39,9	2,5	99	25	40	24,5	49,5	40,5	$\frac{1}{2}$ "	49	609
30	HLK-10D2-30-G12-XC	46,9	2,5	136	43,5	40	24,5	54,5	46,5	$\frac{1}{2}$ "	49	1153
35	HLK-10D2-35-G12-XC	53,2	2,5	136	43,5	40	24,5	60	52,8	$\frac{1}{2}$ "	49	1395
38	HLK-10D2-38-G12-XC	54,9	3	136	43,5	40	24,5	60	52,8	$\frac{1}{2}$ "	49	1398
54	HLK-10D2-54-G12-XC	73,3	4	136	43,5	40	24,5	89,5	84,8	$\frac{1}{2}$ "	49	2300

All dimensions in millimeters, except specially marked
Errors and technical changes reserved

**Other dimensions
or materials on request**

Various threads types available

All our distributors are normally fitted with G $\frac{1}{2}$ " threads, but are available with G $\frac{3}{8}$ " as well. Other dimension of threads are available on request.



© HAELOK AG,
all rights reserved

Haelok Distributor 2 outlets

for **stainless steel pipes** to

¹⁾ EN 10216-5 and EN 10217-1 and -7, Dimensions to EN ISO 1127, row 1

and to

²⁾ ASTM A213/A269

Pipe fitting materials:

Body **Stainless steel 1.4404 (AISI 316L)**, Press ring **Carbon steel 1.0570 (AISI 1024) galvanized**



Inch outside diameter

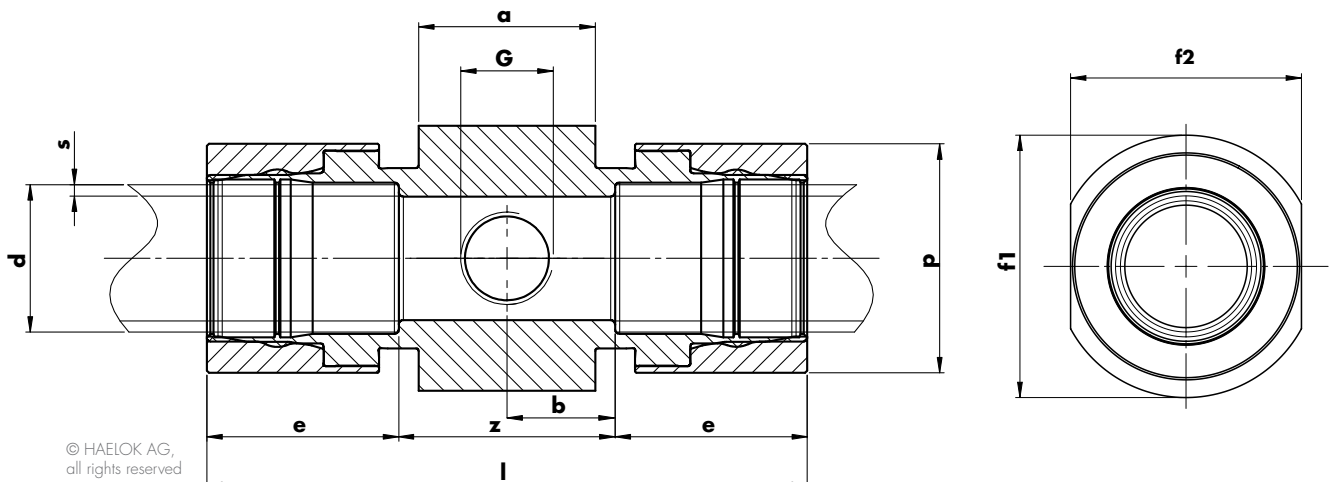
d 1)	d 2)	Code No.	p	s	l	e	a	b	f ₁	f ₂	G	z	Weight (g)	
3/8"	17,2	17,15	HLK-10D2-17-G38-XC	28	1,8	99	25	40	24,5	49,5	40,5	3/8"	49	680
1/2"	21,3	21,34	HLK-10D2-21-G38-XC	33	2	99	25	40	24,5	49,5	40,5	3/8"	49	630
3/4"	26,9	26,67	HLK-10D2-26-G12-XC	38,9	2,3	99	25	40	24,5	49,5	40,5	1/2"	49	612
1"	33,7	33,41	HLK-10D2-33-G12-XC	51,9	2,6	136	43,5	40	24,5	60	52,8	1/2"	49	1419
1 1/4"	42,4	42,16	HLK-10D2-42-G12-XC	60,9	2,6	136	43,5	40	24,5	64,5	57,9	1/2"	49	1583
1 1/2"	48,3	28,26	HLK-10D2-48-G12-XC	67,9	2,6	136	43,5	40	24,5	69,5	63,4	1/2"	49	1779
2"	60,3	60,25	HLK-10D2-60-G12-XC	81	2,9	136	43,5	40	24,5	89,5	84,8	1/2"	49	2683

All dimensions in millimeters, except specially marked
Errors and technical changes reserved

**Other dimensions
or materials on request**

Various threads types available

All our distributors are normally fitted with G 1/2" threads, but are available with G 3/8" as well. Other dimension of threads are available on request.



© HAELOK AG,
all rights reserved

Haelok Distributor 4 outlets

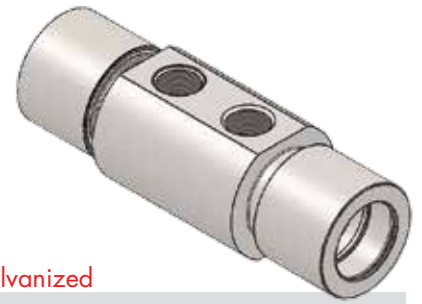
for **stainless steel pipes** to

EN 10216-5 and EN 10217-1 and -7

Dimensions to EN ISO 1127, rows 2 and 3

Pipe fitting materials:

Body **Stainless steel 1.4404 (AISI 316L)**, Press ring **Carbon steel 1.0570 (AISI 1024) galvanized**



Metric outside diameter

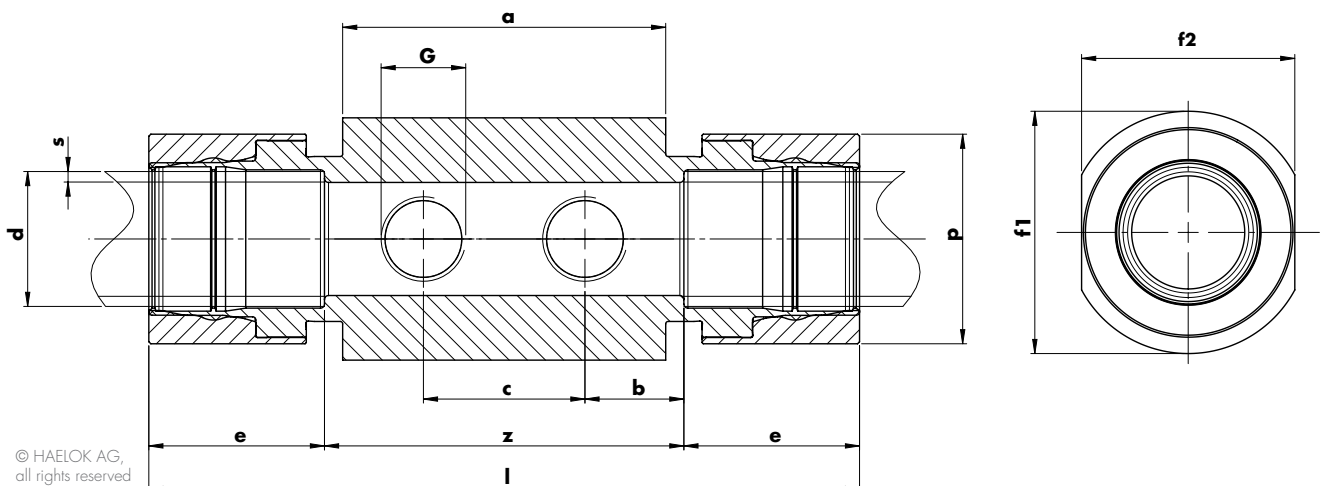
d	Code No.	p	s	l	e	a	b	c	f ₁	f ₂	G	z	Weight (g)
18	HLK-10D4-18-G38-XC	28	1,5	139	25	80	19,5	50	49,5	40,5	3/8"	89	1060
20	HLK-10D4-20-G38-XC	31	2	139	25	80	19,5	50	49,5	40,5	3/8"	89	1040
22	HLK-10D4-22-G12-XC	33,9	2	139	25	80	19,5	50	49,5	40,5	1/2"	89	1043
25	HLK-10D4-25-G12-XC	36,9	2,5	139	25	80	19,5	50	49,5	40,5	1/2"	89	1030
28	HLK-10D4-28-G12-XC	39,9	2,5	139	25	80	19,5	50	49,5	40,5	1/2"	89	971
30	HLK-10D4-30-G12-XC	46,9	2,5	176	43,5	80	19,5	50	54,5	46,5	1/2"	89	1628
35	HLK-10D4-35-G12-XC	53,2	2,5	176	43,5	80	19,5	50	60	52,8	1/2"	89	1960
38	HLK-10D4-38-G12-XC	54,9	3	176	43,5	80	19,5	50	60	52,8	1/2"	89	1963
54	HLK-10D4-54-G12-XC	73,3	4	176	43,5	80	19,5	50	89,5	84,8	1/2"	89	3849

All dimensions in millimeters, except specially marked
Errors and technical changes reserved

**Other dimensions
or materials on request**

Various threads types available

All our distributors are normally fitted with G 1/2" threads, but are available with G 3/8" as well. Other dimension of threads are available on request.



© HAELOK AG,
all rights reserved

Haelok Distributor 4 outlets

for **stainless steel pipes** to

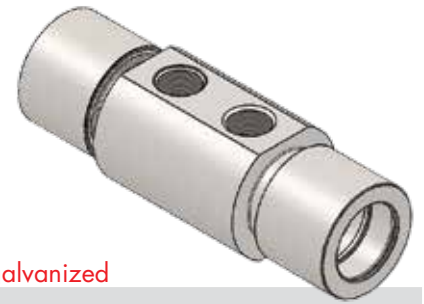
¹⁾EN 10216-5 and EN 10217-1 and -7, Dimensions to EN ISO 1127, row 1

and to

²⁾ASTM A213/A269

Pipe fitting materials:

Body **Stainless steel 1.4404 (AISI 316L)**, Press ring **Carbon steel 1.0570 (AISI 1024) galvanized**



Inch outside diameter

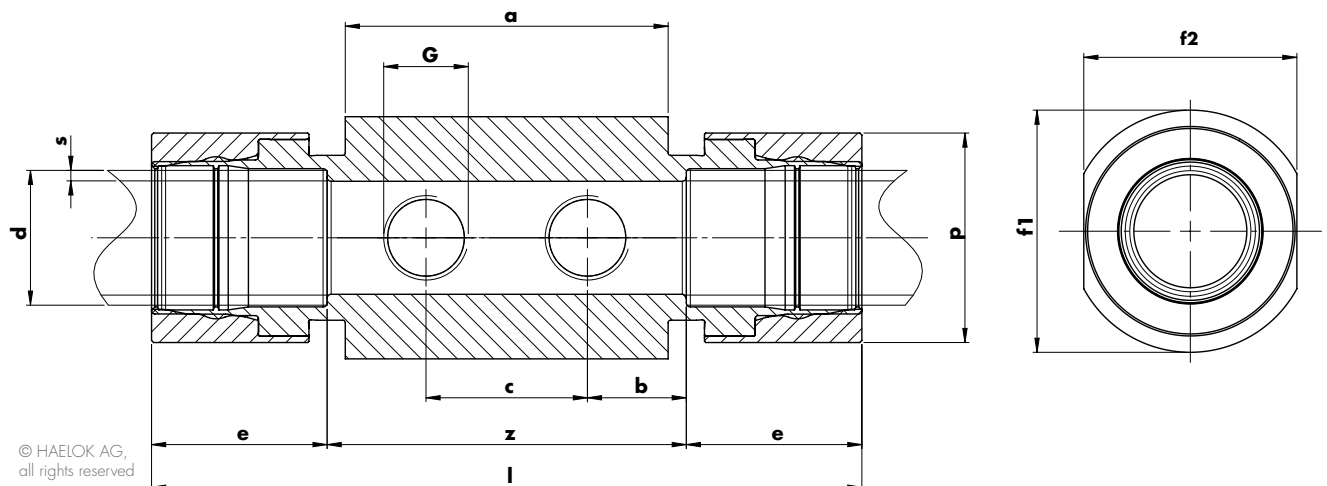
d	OD ¹⁾	OD ²⁾	Code No.	p	s	l	e	a	b	c	f ₁	f ₂	G	z	Weight (g)
3/8"	17,2	17,15	HLK-10D4-17-G38-XC	28	1,8	139	25	80	19,5	50	49,5	40,5	3/8"	89	1080
1/2"	21,3	21,34	HLK-10D4-21-G12-XC	33	2	139	25	80	19,5	50	49,5	40,5	1/2"	89	1040
3/4"	26,9	26,67	HLK-10D4-26-G12-XC	38,9	2,3	139	25	80	19,5	50	49,5	40,5	1/2"	89	984
1"	33,7	33,41	HLK-10D4-33-G12-XC	51,9	2,6	176	43,5	80	19,5	50	60	52,8	1/2"	89	2021
1 1/4"	42,4	42,26	HLK-10D4-42-G12-XC	60,9	2,6	176	43,5	80	19,5	50	64,5	57,9	1/2"	89	2176
1 1/2"	48,3	48,26	HLK-10D4-48-G12-XC	67,9	2,6	176	43,5	80	19,5	50	69,5	63,4	1/2"	89	2401
2"	60,3	60,33	HLK-10D4-60-G12-XC	81	2,9	176	43,5	80	19,5	50	89,5	84,8	1/2"	89	3849

All dimensions in millimeters, except specially marked
Errors and technical changes reserved

**Other dimensions
or materials on request**

Various threads types available

All our distributors are normally fitted with G 1/2" threads, but are available with G 3/8" as well. Other dimension of threads are available on request.



© HAELOK AG,
all rights reserved

Haelok Union Tee

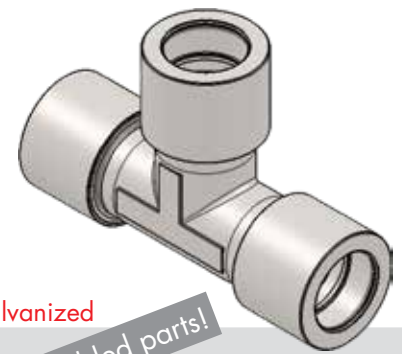
for **stainless steel pipes** to

EN 10216-5 and EN 10217-1 and -7

Dimensions to EN ISO 1127, rows 2 and 3

Pipe fitting materials:

Body **Stainless steel 1.4404 (AISI 316L)**, Press ring **Carbon steel 1.0570 (AISI 1024) galvanized**



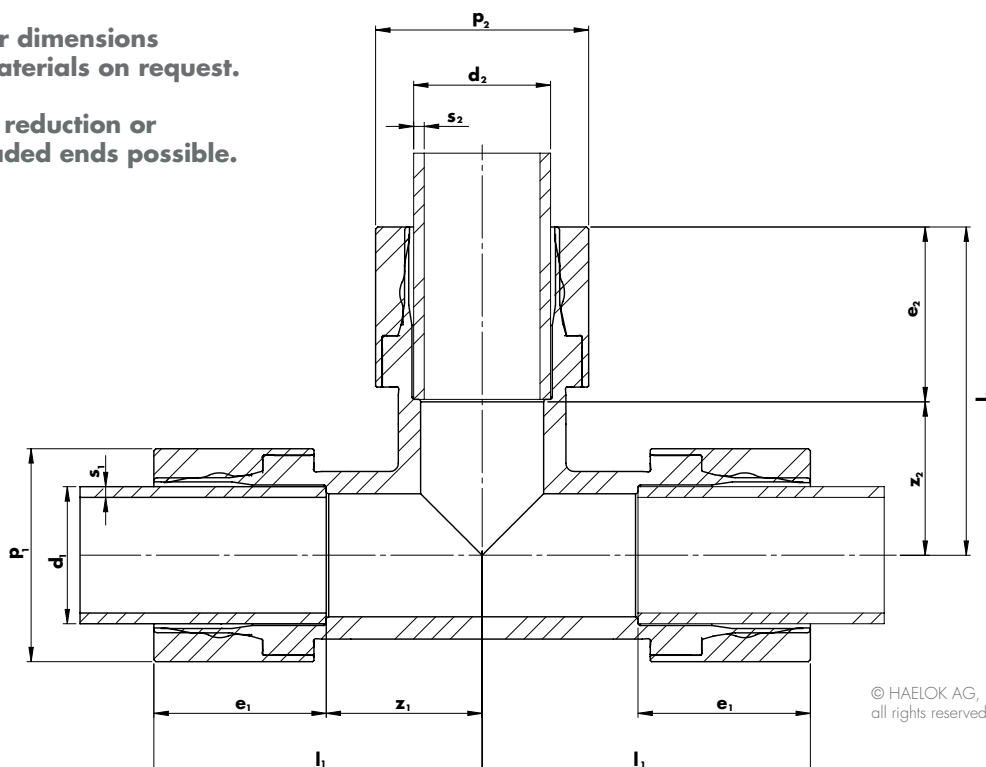
Metric outside diameter

d	Code No.	P ₁ , P ₂	s	l ₁ , l ₂	e ₁ , e ₂	z ₁ , z ₂	Weight (g)
12	HLK-10T3-12-XC	19,9	1,5	50	17	33	157
18	HLK-10T3-18-XC	29	1,5	60	25	35	364
20	HLK-10T3-20-XC	32	2	65	25	40	498
22	HLK-10T3-22-XC	33,9	2	65	25	40	485
25	HLK-10T3-25-XC	36,9	2,5	65	25	40	612
28	HLK-10T3-28-XC	39,9	2,5	65	25	40	555
30	HLK-10T3-30-XC	46,9	2,5	80	42	38	1316
35	HLK-10T3-35-XC	53,5	2,5	80	42	38	1702
38	HLK-10T3-38-XC	54,9	3	80	42	38	1606
54	HLK-10T3-54-XC	73,3	4	100	42	58	3364

All dimensions in millimeters, except specially marked
Errors and technical changes reserved

Other dimensions
or materials on request.

With reduction or
threaded ends possible.



© HAELOK AG,
all rights reserved

Haelok Union Tee

for **stainless steel pipes** to

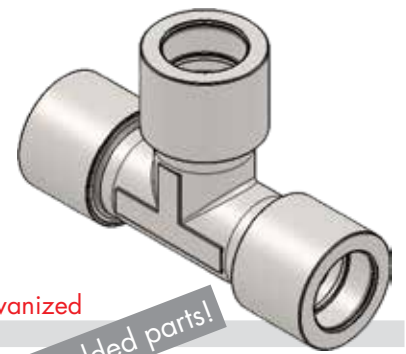
¹⁾ EN 10216-5 and EN 10217-1 and -7, Dimensions to EN ISO 1127, row 1

and to

²⁾ ASTM A213/A269

Pipe fitting materials:

Body **Stainless steel 1.4404 (AISI 316L)**, Press ring **Carbon steel 1.0570 (AISI 1024) galvanized**



Inch outside diameter

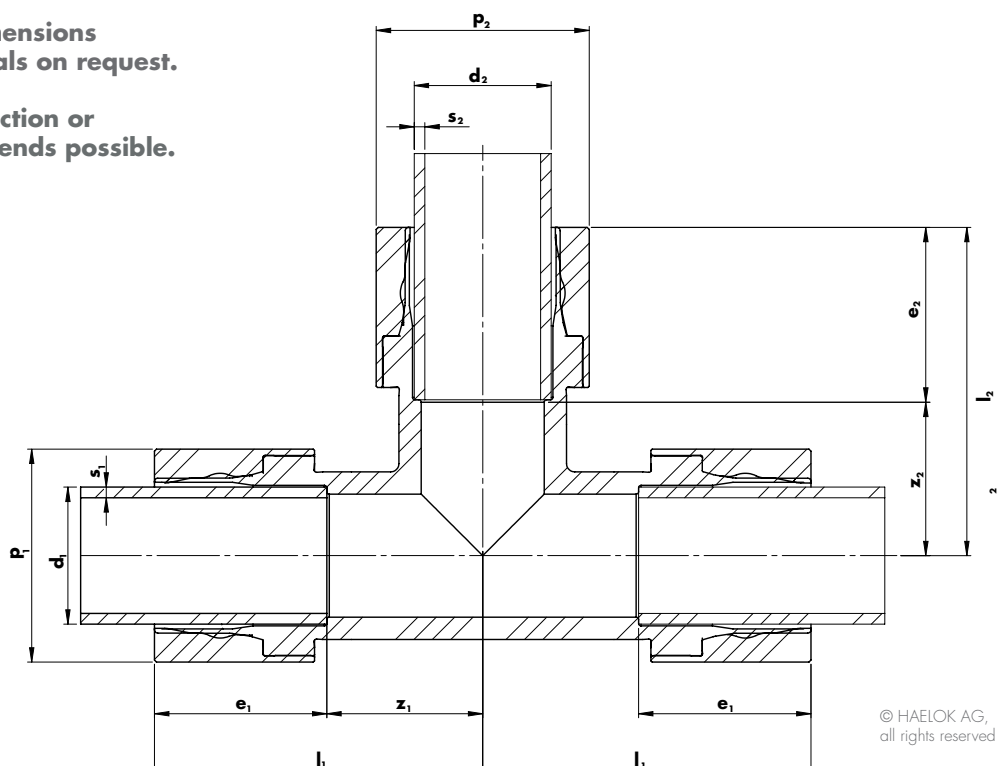
d 1)	d 2)	Code No.	P ₁ , P ₂	s	l ₁ , l ₂	e ₁ , e ₂	z ₁ , z ₂	Weight (g)	
¼"	13,5	HLK-10T3-13-XC	21,4	1,8	50	17	33	153	
⅜"	17,2	17,15	HLK-10T3-17-XC	28,1	1,8	60	25	35	362
½"	21,3	21,34	HLK-10T3-21-XC	33,3	2	65	25	40	487
¾"	26,9	26,67	HLK-10T3-26-XC	38,9	2,3	65	25	40	570
1"	33,7	33,41	HLK-10T3-33-XC	51,9	2,6	80	42	38	1586
1¼"	42,4	42,16	HLK-10T3-42-XC	60,9	2,6	95	42	53	2443
1½"	48,3	48,26	HLK-10T3-48-XC	67,9	2,6	95	42	53	2435
2"	60,3	60,33	HLK-10T3-60-XC	81	2,9	100	42	58	3428

A) Separate press
Fittings on request

All dimensions in millimeters, except specially marked
Errors and technical changes reserved

**Other dimensions
or materials on request.**

**With reduction or
threaded ends possible.**



© HAELOK AG,
all rights reserved

Haelok Endcap

for **stainless steel pipes** to

EN 10216-5 and EN 10217-1 and -7

Dimensions to EN ISO 1127, rows 2 and 3

Pipe fitting materials:

Body **Stainless steel 1.4404 (AISI 316L)**, Press ring **Carbon steel 1.0570 galvanized**

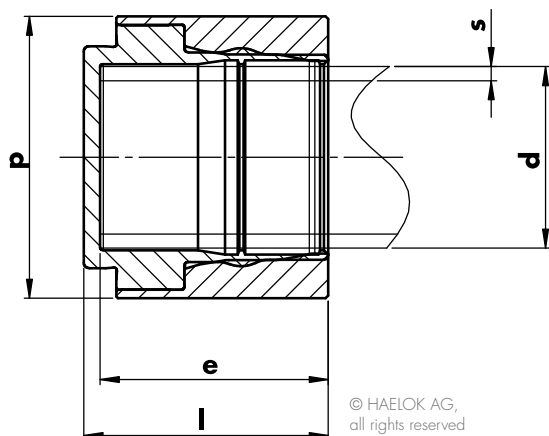


Metric outside diameter

d	Code No.	p	s	l	e	Weight (g)
12	HLK-10EC-12-XC	19	1,5	20	17	55
18	HLK-10EC-18-XC	28	1,5	28	25	80
20	HLK-10EC-20-XC	31	2	28	25	80
22	HLK-10EC-22-XC	33,9	2	28	25	105
25	HLK-10EC-25-XC	36,9	2,5	28	25	115
28	HLK-10EC-28-XC	39,9	2,5	28	25	131
30	HLK-10EC-30-XC	46,9	2,5	45	42	340
35	HLK-10EC-35-XC	53,2	2,5	45	42	410
38	HLK-10EC-38-XC	54,9	3	45	42	419
54	HLK-10EC-54-XC	73,3	4	45	42	720

All dimensions in millimeters, except specially marked
Errors and technical changes reserved

**Other dimensions
or materials on request**



© HAELOK AG,
all rights reserved

Haelok Endcap

for **stainless steel pipes** to

¹⁾ EN 10216-5 and EN 10217-1 and -7, Dimensions to EN ISO 1127, row 1

and to

²⁾ ASTM A213/A269

Pipe fitting materials:

Body **Stainless steel 1.4404 (AISI 316L)**, Press ring **Carbon steel 1.0570 (AISI 1024) galvanized**



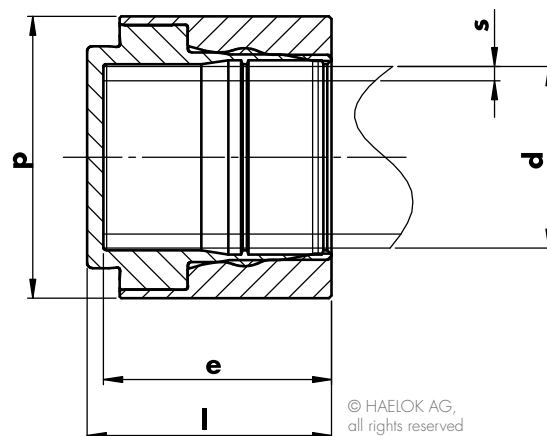
Inch outside diameter

d	OD ¹⁾	OD ²⁾	Code No.	p	s	l	e	Weight (g)
1/4"	13,5	13,72	HLK-10EC-13-XC	24	1,8	20	17	55
3/8"	17,2	17,15	HLK-10EC-17-XC	28	1,8	28	25	70
1/2"	21,3	21,34	HLK-10EC-21-XC	33	2	28	25	95
3/4"	26,9	26,67	HLK-10EC-26-XC	38,9	2,3	28	25	126
1"	33,7	33,41	HLK-10EC-33-XC	51,9	2,6	45	42	411
1 1/4"	42,4	42,16	HLK-10EC-42-XC	60,9	2,6	45	42	508
1 1/2"	48,3	48,26	HLK-10EC-48-XC	67,9	2,6	45	42	620
2"	60,3	60,33	HLK-10EC-60-XC	81	2,9	45	42	792
2 1/2"	76,1	73,0 ^{A)}	HLK-10EC-76-XC	98	3,7	44	39	1200
3"	88,9	88,9	HLK-10EC-88-XC	111	4,9	44	39	1400
4"	114,3	114,3	HLK-10EC-114-XC	138	6	44	39	2000
5"	139,7	141,3 ^{A)}	HLK-10EC-139-XC	169	7,1	54	49	3500
6"	168,3	168,3	HLK-10EC-168-XC	202	8	54	49	6000

A) Separate press
Fittings on request

All dimensions in millimeters, except specially marked
Errors and technical changes reserved

**Other dimensions
or materials on request**



© HAELOK AG,
all rights reserved

Haelok **Straight Thread Internal**

for **stainless steel pipes** to

EN 10216-5 and EN 10217-1 and -7

Dimensions to EN ISO 1127, rows 2 and 3

Pipe fitting materials:

Body **Stainless steel 1.4404 (AISI 316L)**, Press ring **Carbon steel 1.0570 (AISI 1024) galvanized**



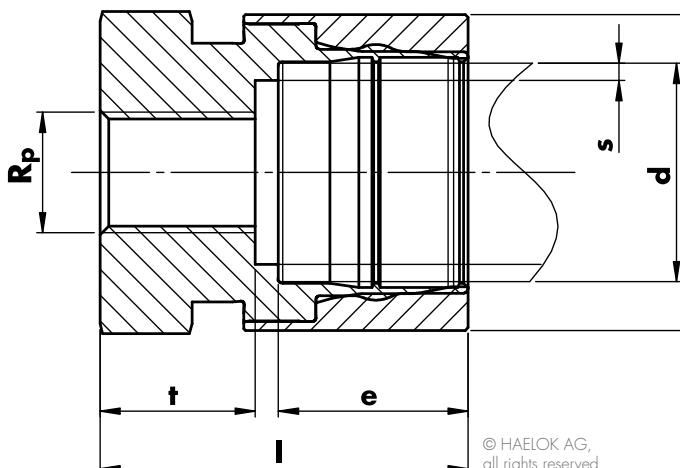
Metric outside diameter

d	Code No.	p	s	l	e	t	R _p	SW	Weight (g)
12	HLK-10TI-12-G14-XC	24	1.5	33	17	13	¼"	22	80
18	HLK-10TI-18-G38-XC	28	1,5	42	25	14	⅜"	27	120
20	HLK-10TI-20-G12-XC	31	2	46	25	18	½"	32	150
22	HLK-10TI-22-G12-XC	33,9	2	46	25	18	½"	32	160
25	HLK-10TI-25-G34-XC	36,9	2,5	48	25	20	¾"	41	170
28	HLK-10TI-28-G34-XC	39,9	2,5	48	25	20	¾"	41	200
30	HLK-10TI-30-G34-XC	46,9	2,5	65	42	20	¾"	41	400
35	HLK-10TI-35-G1-XC	53,2	2,5	67	42	22	1"	50	600
38	HLK-10TI-38-G1-XC	54,9	3,0	67	42	22	1"	50	600
54	HLK-10TI-54-G2-XC	73,3	4,0	70	42	22	2"	72	1070

All dimensions in millimeters, except specially marked
Errors and technical changes reserved

**Other dimensions
or materials on request**

Various threads types available



© HAELOK AG,
all rights reserved

Haelok Straight Thread Internal

for **stainless steel pipes** to

¹⁾EN 10216-5 and EN 10217-1 and -7, Dimensions to EN ISO 1127, row 1

and to

²⁾ASTM A213/A269

Pipe fitting materials:

Body Stainless steel 1.4404 (AISI 316L), **Press ring** Carbon steel 1.0570 (AISI 1024) galvanized



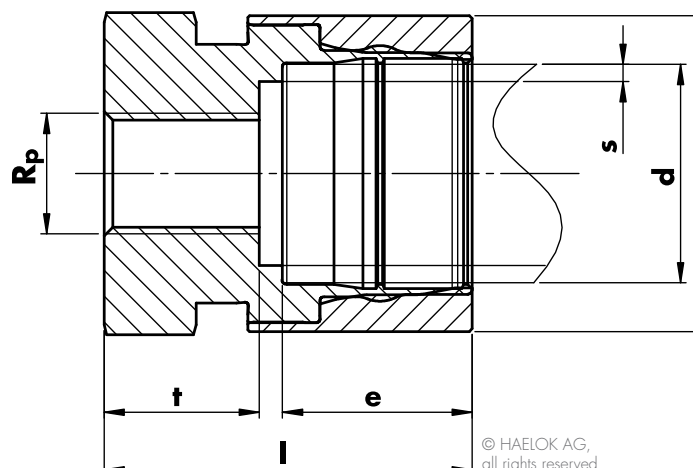
Inch outside diameter

d	OD ¹⁾	OD ²⁾	Code No.	p	s	l	e	t	R _p	SW	Weight (g)
¼"	13,5	13,72	HLK-10TI-13-G14-XC	24	1,8	20	17	10	¼"	22	100
⅜"	17,2	17,15	HLK-10TI-17-G38-XC	28	1,8	28	25	10	⅜"	27	120
½"	21,3	21,34	HLK-10TI-21-G12-XC	33	2	39,5	25	18	½"	32	150
¾"	26,9	26,67	HLK-10TI-26-G34-XC	38,9	2,3	44,5	25	15	¾"	36	190
1"	33,7	33,41	HLK-10TI-33-G1-XC	51,9	2,6	66	42	17	1"	46	520
1¼"	42,4	42,16	HLK-10TI-42-G114-XC	60,9	2,6	67,5	42	19	1¼"	55	700
1½"	48,3	48,26	HLK-10TI-48-G112-XC	67,9	2,6	70	42	21	1½"	60	830
2"	60,3	60,33	HLK-10TI-60-G2-XC	81	2,9	73	42	24	2"	75	1070

All dimensions in millimeters, except specially marked
Errors and technical changes reserved

**Other dimensions
or materials on request**

Various threads types available



© HAELOK AG,
all rights reserved

Haelok **Straight Thread External**

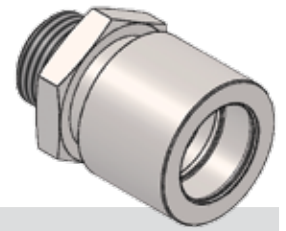
for **stainless steel pipes** to

EN 10216-5 and EN 10217-1 and -7

Dimensions to EN ISO 1127, rows 2 and 3

Pipe fitting materials:

Body **Stainless steel 1.4404 (AISI 316L)**, Press ring **Carbon steel 1.0570 (AISI 1024) galvanized**



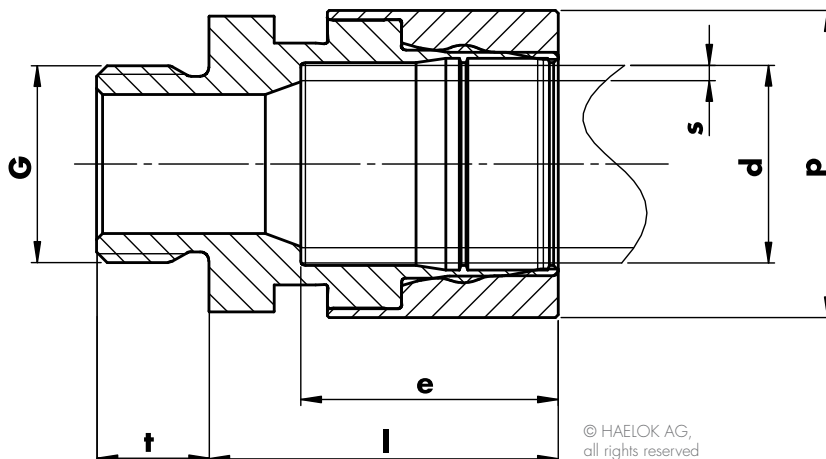
Metric outside diameter

d	Code No.	p	s	l	e	t	G	SW	Weight (g)
12	HLK-10TE-12-G14-XC	24	1,5	20	17	9	1/4"	22	80
18	HLK-10TE-18-G38-XC	28	1,5	28	25	12	3/8"	27	120
20	HLK-10TE-20-G12-XC	31	2	28	25	16	1/2"	32	150
22	HLK-10TE-22-G12-XC	33,9	2	28	25	16	1/2"	32	150
25	HLK-10TE-25-G34-XC	36,9	2,5	28	25	17	3/4"	41	170
28	HLK-10TE-28-G34-XC	39,9	2,5	28	25	17	3/4"	41	200
30	HLK-10TE-30-G34-XC	46,9	2,5	45	42	17	3/4"	41	400
35	HLK-10TE-35-G1-XC	53,2	2,5	45	42	19	1"	50	600
38	HLK-10TE-38-G1-XC	54,9	3,0	45	42	22	1"	50	650
54	HLK-10TE-54-G2-XC	73,3	4,0	45	42	24	2"	72	950

All dimensions in millimeters, except specially marked
Errors and technical changes reserved

**Other dimensions
or materials on request**

Various threads types available



© HAELOK AG,
all rights reserved

Haelok Straight Thread External

for **stainless steel pipes** to

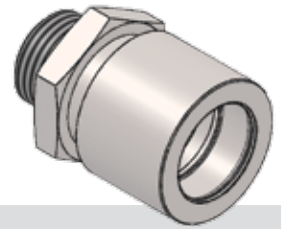
¹⁾ EN 10216-5 and EN 10217-1 and -7, Dimensions to EN ISO 1127, row 1

and to

²⁾ ASTM A213/A269

Pipe fitting materials:

Body Stainless steel 1.4404 (AISI 316L), **Press ring** Carbon steel 1.0570 (AISI 1024) galvanized



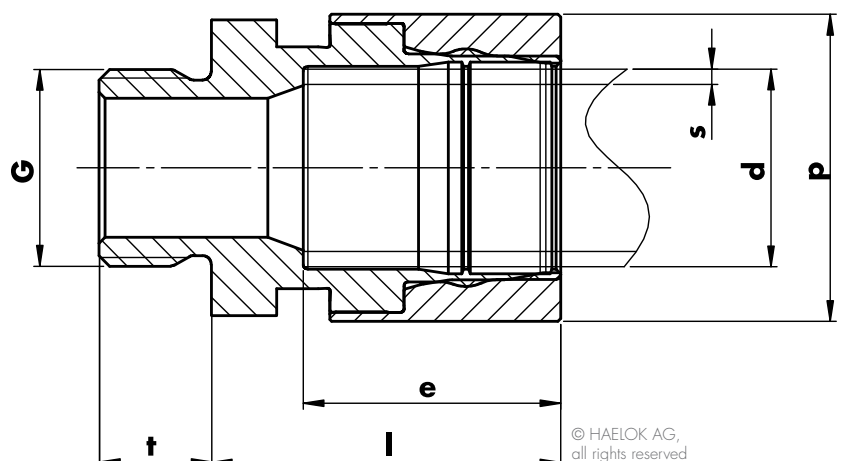
Inch outside diameter

d	OD ¹	OD ²	Code No.	p	s	l	e	t	G	SW	Weight (g)
¼"	13,5	13,72	HLK-10TE-13-G14-XC	24	1,8	25	17	9	¼"	22	100
⅜"	17,2	17,15	HLK-10TE-17-G38-XC	28	1,8	25	25	12	⅜"	27	120
½"	21,3	21,26	HLK-10TE-21-G12-XC	33	2	25	25	16	½"	32	150
¾"	26,9	26,67	HLK-10TE-26-G34-XC	38,9	2,3	39	25	17	¾"	36	190
1"	33,7	33,41	HLK-10TE-33-G1-XC	51,9	2,6	59	42	17	1"	46	520
1¼"	42,4	42,16	HLK-10TE-42-G114-XC	60,9	2,6	59	42	20	1¼"	55	700
1½"	48,3	48,26	HLK-10TE-48-G112-XC	67,9	2,6	59	42	20	1½"	60	830
2"	60,3	60,33	HLK-10TE-60-G2-XC	81	2,9	62	42	22	2"	75	1070

All dimensions in millimeters, except specially marked
Errors and technical changes reserved

**Other dimensions
or materials on request**

Various threads types available



© HAELOK AG,
all rights reserved

Haelok Elbow 90°

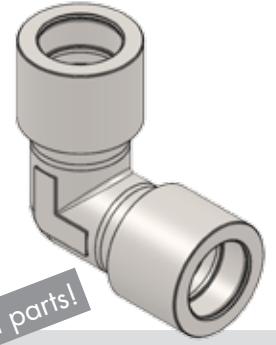
for **stainless steel pipes** to

EN 10216-5 and EN 10217-1 and -7

Dimensions to EN ISO 1127, rows 2 and 3

Pipe fitting materials:

Body **Stainless steel 1.4404 (AISI 316L)**, Press ring **Carbon steel 1.0570 galvanized**



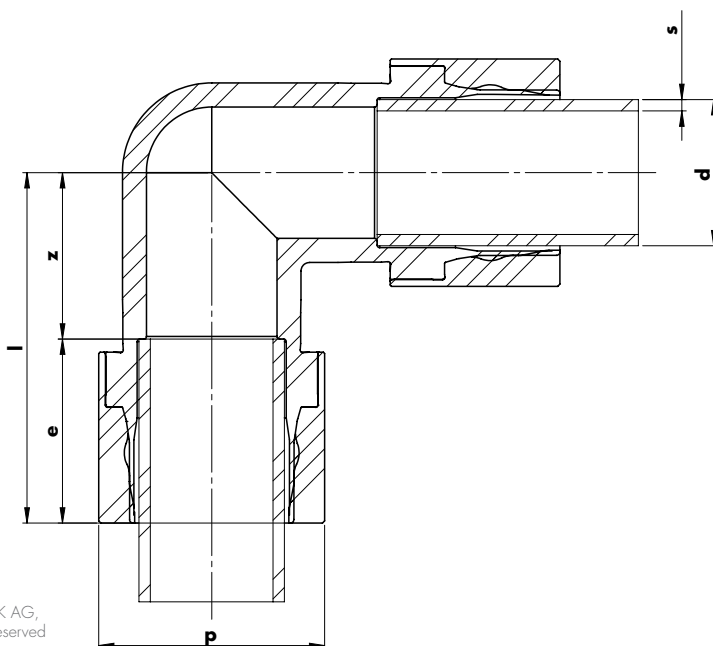
no welded parts!

Metric outside diameter

d	Code No.	p	s	l	e	z	Weight (g)
12	HLK-10L90-12-XC	19,9	1,5	50	17	33	114
18	HLK-10L90-18-XC	29	1,5	60	25	35	273
20	HLK-10L90-20-XC	32	2	65	25	40	380
22	HLK-10L90-22-XC	33,9	2	65	25	40	365
25	HLK-10L90-25-XC	36,9	2,5	65	25	40	480
28	HLK-10L90-28-XC	39,9	2,5	65	25	40	424
30	HLK-10L90-30-XC	46,9	2,5	80	42	38	982

All dimensions in millimeters, except specially marked
Errors and technical changes reserved

**Other dimensions
or materials on request**



© HAELOK AG,
all rights reserved

Haelok Elbow 90°

for **stainless steel pipes** to

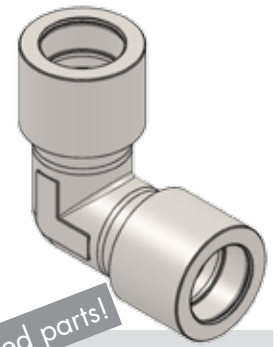
¹⁾ EN 10216-5 and EN 10217-1 and -7, Dimensions to EN ISO 1127, row 1

and to

²⁾ ASTM A213/A269

Pipe fitting materials:

Body **Stainless steel 1.4404 (AISI 316L)**, Press ring **Carbon steel 1.0570 (AISI 1024) galvanized**



no welded parts!

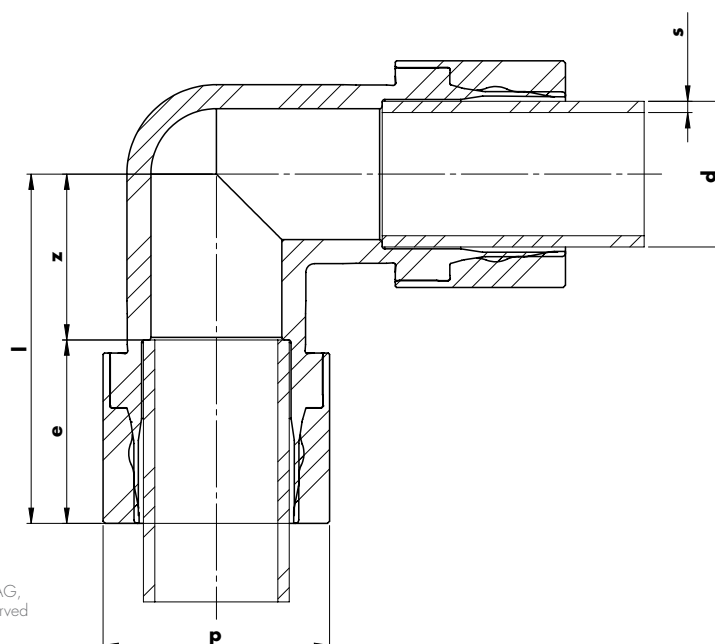
Inch outside diameter

d	OD ¹⁾	OD ²⁾	Code No.	p	s	l	e	z	Weight (g)
1/4"	13,5	13,72	HLK-10L90-13-XC	21,4	1,8	50	17	33	109
3/8"	17,2	17,15	HLK-10L90-17-XC	28,1	1,8	60	25	35	273
1/2"	21,3	21,34	HLK-10L90-21-XC	33,3	2	65	25	40	368
3/4"	26,9	26,67	HLK-10L90-26-XC	38,9	2,3	65	25	40	437
1"	33,7	33,41	HLK-10L90-33-XC	51,9	2,6	80	42	39	1124

A) Separate press
Fittings on request

All dimensions in millimeters, except specially marked
Errors and technical changes reserved

**Other dimensions
or materials on request**



© HAELOK AG,
all rights reserved

Haelok Bended pipe 90°

Stainless steel pipes to

EN 102116-5 and EN 10217-1 and -7

Dimension to EN ISO 1127, rows 2 and 3 with tolerance D3/T3

Pipe materials:

Body **Stainless steel 1.4404 (AISI ISO 1127)**

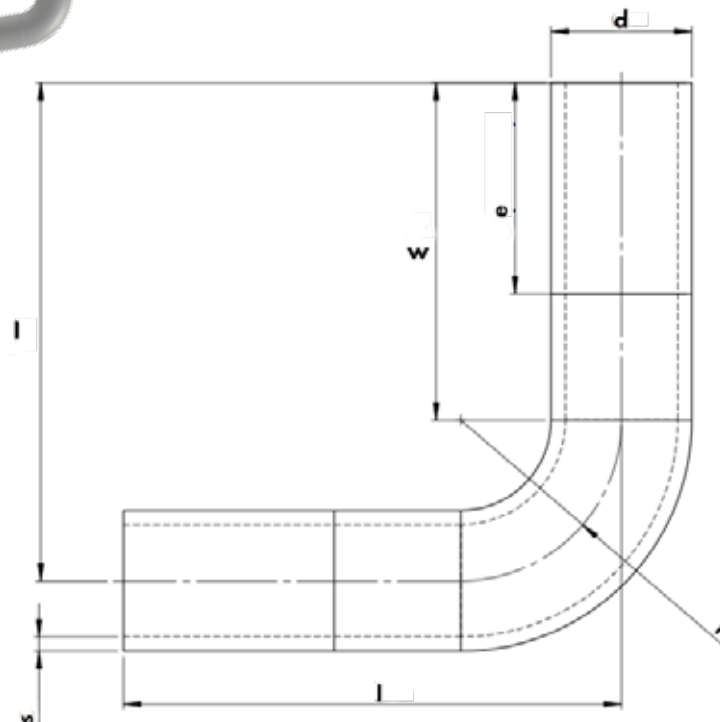


Metric outside diameter

OD	Code No.	r	s	e	w	l	Weight (g)
35	HLK-10BP90-35-X	70	3	42	100	170	2400
38	HLK-10BP90-38-X	70	3	42	100	170	2630
54	HLK-10BP90-54-X	100	3,2	42	100	185	3830

All dimensions in millimeters, except specially marked
Errors and technical changes reserved

For 90° shapes Haelok offers bended pipes in connection with our straight fittings. The connection is done with two straight fittings. On request and on minimum quantities Haelok supplies one-piece, hot forged bends. Please contact your customer service representative for further information.



© HAELOK AG,
all rights reserved

Haelok Bended pipe 90°

Stainless steel pipes to

EN 102116-5 and EN 10217-1 and -7

Dimension to EN ISO 1127, row 1 with tolerance D3/T3

Pipe fitting materials:

Body **Stainless steel 1.4404 (AISI 316L)**

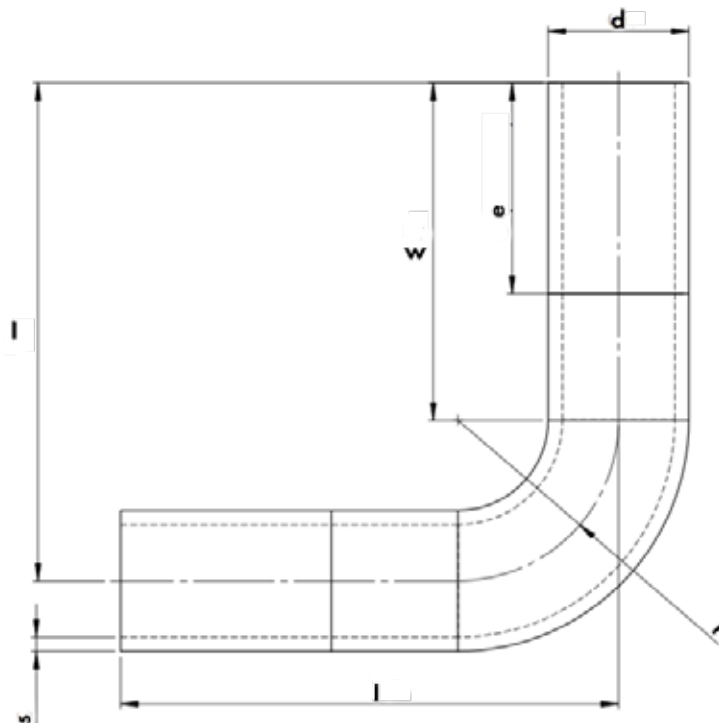


Inch outside diameter

OD	Code No.	r	s	e	w	l	Weight (g)
1¼" (42,4)	HLK-10BP90-42-X	85	3,2	42	100	185	3140
1½" (48,3)	HLK-10BP90-48-X	100	3,2	42	100	200	3610
2" (60,3)	HLK-10BP90-60-X	120	3,6	42	100	220	5110

All dimensions in millimeters, except specially marked
Errors and technical changes reserved

For 90° shapes Haelok offers bended pipes in connection with our straight fittings. The connection is done with two straight fittings. On request and on minimum quantities Haelok supplies one-piece, hot forged bends. Please contact your customer service representative for further information.



© HAELOK AG,
all rights reserved

Haelok Reducer

for **stainless steel pipes** to

EN 10216-5 and EN 10217-1 and -7

Dimensions to EN ISO 1127, rows 2 and 3

Pipe fitting materials:

Body **Stainless steel 1.4404 (AISI 316L)**, Press ring **Carbon steel 1.0570 (AISI 1024) galvanized**

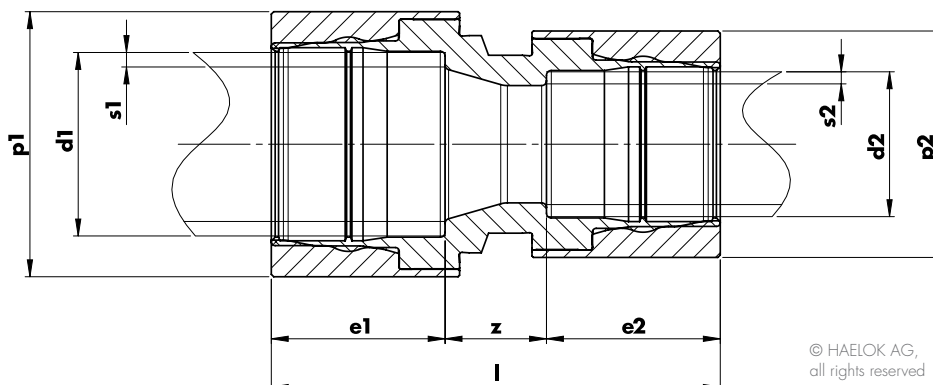


Metric outside diameter

d1	d2	Code No.	p ₁	s ₁	e ₁	p ₂	s ₂	e ₂	l	z	Weight (g)
18	12	HLK-10RE-18-12-XC	28	1,5	25	19	1,5	17	45	3	180
22	12	HLK-10RE-22-12-XC	33,9	2	25	19	1,5	17	55	5	190
22	18	HLK-10RE-22-18-XC	33,9	2	25	28	1,5	25	45	3	190
22	20	HLK-10RE-22-20-XC	36,9	2,5	25	31	2	25	55	5	210
28	22	HLK-10RE-28-22-XC	39,9	2,5	25	33,9	2	25	55	5	229
30	25	HLK-10RE-30-25-XC	46,9	2,5	42	36,9	2,5	25	75	8	641
35	28	HLK-10RE-35-28-XC	53,2	2,5	42	39,9	2,5	25	75	8	760
35	22	HLK-10RE-35-22-XC	53,2	2,5	42	33,9	2	25	75	8	760
38	30	HLK-10RE-38-30-XC	54,9	3	42	46,9	2,5	42	100	16	776
38	28	HLK-10RE-38-28-XC	54,9	3	42	39,9	2,5	25	75	8	776
54	42	HLK-10RE-54-42-XC	73,3	4	42	60,9	2,6	42	100	16	1300
54	35	HLK-10RE-54-35-XC	73,3	4	42	53,2	2,5	42	100	16	1300
54	28	HLK-10RE-54-28-XC	73,3	4	42	39,9	2,5	25	75	8	1300
54	22	HLK-10RE-54-22-XC	73,3	4	42	33,9	2	25	75	8	1300

All dimensions in millimeters, except specially marked
Errors and technical changes reserved

**Other dimensions
or materials on request**



© HAELOK AG,
all rights reserved

Haelok Reducer

for **stainless steel pipes** to

¹⁾ EN 10216-5 and EN 10217-1 and -7, Dimensions to EN ISO 1127, row 1

and to

²⁾ ASTM A213/A269

Pipe fitting materials:

Body **Stainless steel 1.4404 (AISI 316L)**, Press ring **Carbon steel 1.0570 (AISI 1024) galvanized**

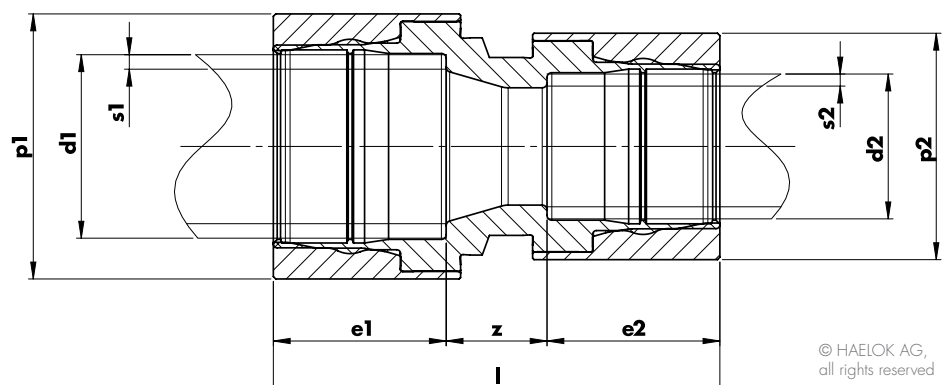


Inch outside diameter

d1	OD ¹⁾	OD ²⁾	d2	Code No.	p ₁	s ₁	e ₁	p ₂	s ₂	e ₂	l	z	Weight g)
3/8"	17,2	17,15	1/4"	HLK-10RE-17-13-XC	28	1,8	25	24	1,8	17	45	3	140
1/2"	21,3	21,34	3/8"	HLK-10RE-21-17-XC	33	2	25	28	1,8	25	55	5	180
1/2"	21,3	21,34	1/4"	HLK-10RE-21-13-XC	33	2	25	24	1,8	17	45	3	180
3/4"	26,9	26,67	1/2"	HLK-10RE-26-21-XC	38,9	2,3	25	33	2	25	55	5	222
1"	33,7	33,41	28	HLK-10RE-33-28-XC	51,9	2,6	42	39,9	2,5	25	75	8	770
1"	33,7	33,41	3/4"	HLK-10RE-33-26-XC	51,9	2,6	42	38,9	2,3	25	75	8	770
1"	33,7	33,41	22	HLK-10RE-33-22-XC	51,9	2,6	42	33,9	2	25	75	8	770
1"	33,7	33,41	1/2"	HLK-10RE-33-21-XC	51,9	2,6	42	33	2	25	75	8	770
1"	33,7	33,41	18	HLK-10RE-33-18-XC	51,9	2,6	42	28	1,5	25	75	8	770
1 1/4"	42,4	42,16	1"	HLK-10RE-42-33-XC	60,9	2,6	42	51,9	2,6	42	100	16	941
1 1/4"	42,4	42,16	3/4"	HLK-10RE-42-26-XC	60,9	2,6	42	38,9	2,3	25	75	8	941
1 1/4"	42,4	42,16	22	HLK-10RE-42-22-XC	60,9	2,6	42	33,9	2	25	75	8	941
1 1/4"	42,4	42,16	1/2"	HLK-10RE-42-21-XC	60,9	2,6	42	33	2	25	75	8	941
1 1/2"	48,3	48,26	1 1/4"	HLK-10RE-48-42-XC	67,9	2,6	42	60,9	2,6	42	100	16	1108
1 1/2"	48,3	48,26	1"	HLK-10RE-48-33-XC	67,9	2,6	42	51,9	2,6	42	100	16	1108
1 1/2"	48,3	48,26	30	HLK-10RE-48-30-XC	67,9	2,6	42	46,9	2,5	42	100	16	1108
1 1/2"	48,3	48,26	28	HLK-10RE-48-28-XC	67,9	2,6	42	39,9	2,5	25	75	8	1108
1 1/2"	48,3	48,26	3/4"	HLK-10RE-48-26-XC	67,9	2,6	42	38,9	2,3	25	75	8	1108
2"	60,3	60,33	1 1/2"	HLK-10RE-60-48-XC	81	2,9	42	67,9	2,6	42	100	16	1444
2"	60,3	60,33	1 1/4"	HLK-10RE-60-42-XC	81	2,9	42	60,9	2,6	42	100	16	1444
2"	60,3	60,33	1"	HLK-10RE-60-33-XC	81	2,9	42	51,9	2,6	42	100	16	1444

All dimensions in millimeters, except specially marked
Errors and technical changes reserved

Other dimensions
or materials on request



© HAELOK AG,
all rights reserved



Fitting Product Catalogue

for **Carbon steel pipes**
to EN 10216-1 to -4 and EN 10305-1 to -4



Haelok Straight Fitting

for **C-Steel pipes** to

EN 10216-1 to -4 and EN 10305-1 to -4

Dimensions to EN 10220, rows 2 and 3

Pipe fitting materials:

Body **Carbon steel 1.0570 (AISI 1024)**, Press ring **Carbon steel 1.0570 (AISI 1024)**
(body and press ring galvanized)

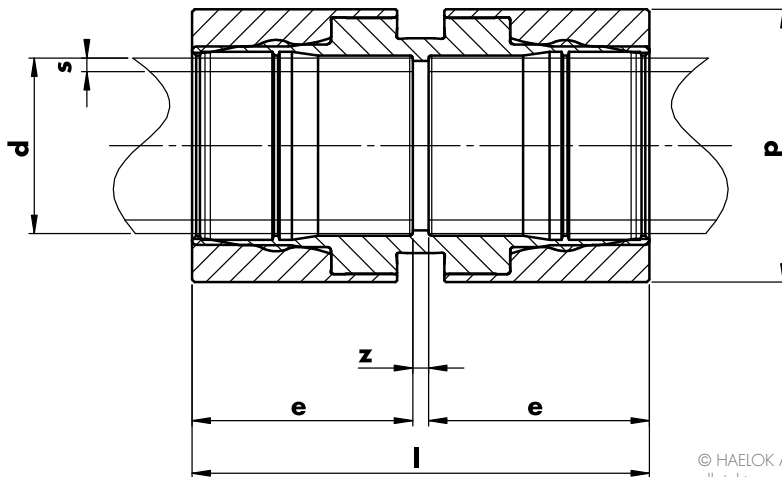


Metric outside diameter

d	Code No.	p	s	l	e	z	Weight (g)
12	HLK-10SF-12-CC	19	1,5	35	17	1	110
18	HLK-10SF-18-CC	28	1,5	52	25	2	180
20	HLK-10SF-20-CC	31	2	52	25	2	180
22	HLK-10SF-22-CC	33,9	2	52	36	2	190
25	HLK-10SF-25-CC	36,9	2,5	52	25	2	210
28	HLK-10SF-28-CC	39,9	2,5	52	25	2	229
30	HLK-10SF-30-CC	46,9	2,5	87	42	3	641
35	HLK-10SF-35-CC	53,2	2,5	87	42	3	760
38	HLK-10SF-38-CC	54,9	3	87	42	3	776
54	HLK-10SF-54-CC	73,3	4	87	42	3	1300

All dimensions in millimeters, except specially marked
Errors and technical changes reserved

**Other dimensions
or materials on request**



© HAELOK AG,
all rights reserved

We reserve all rights in this document and its subject matter. The recipient hereby acknowledges these rights and document only for the purpose it was delivered. © HAELOK INC, Zurich

Haelok Straight Fitting

for **C-Steel pipes** to

¹⁾ EN 10216-1 to -4 and EN 10305-1 and -4, Dimensions to EN 10220, row 1

and to

²⁾ ASTM A213/A269

Pipe fitting materials:

Body **Carbon steel 1.0570 (AISI 1024)**, Press ring **Carbon steel 1.0570 (AISI 1024)**
(body and press ring galvanized)



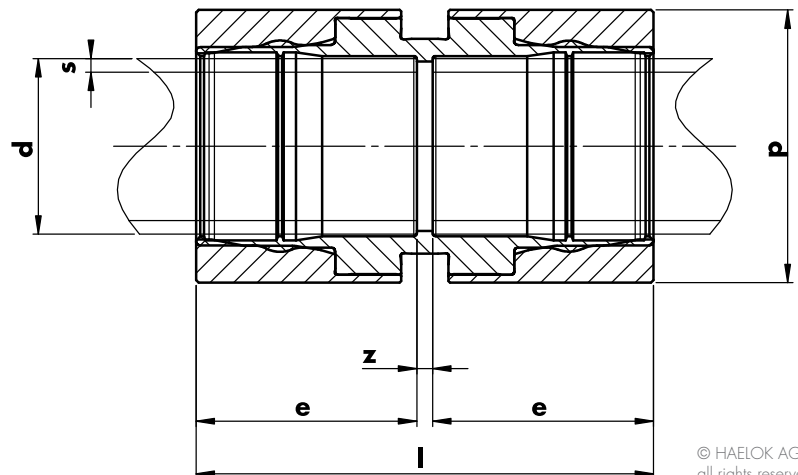
Inch outside diameter

d	OD ¹	OD ²	Code Nr.	p	s	l	e	z	Weight g
¼"	13,5	13,72	HLK-10SF-13-CC	24	1,8	35	17	1	110
⅜"	17,2	17,15	HLK-10SF-17-CC	28	1,8	52	25	2	140
½"	21,3	21,34	HLK-10SF-21-CC	33	2	52	25	2	180
¾"	26,9	26,67	HLK-10SF-26-CC	38,9	2,3	52	25	2	223
1"	33,7	33,41	HLK-10SF-33-CC	51,9	2,6	87	42	3	770
1¼"	42,4	42,16	HLK-10SF-42-CC	60,9	2,6	87	42	3	941
1½"	48,3	48,26	HLK-10SF-48-CC	67,9	2,6	87	42	3	1108
2"	60,3	60,33	HLK-10SF-60-CC	81	2,9	87	42	3	1445
2½"	76,1	73,0 ^A	HLK-10SF-76-CC	98	3,6	102	39	24	2400
3"	88,9	88,9	HLK-10SF-88-CC	111	4,8	102	39	24	2800
4"	114,3	114,3	HLK-10SF-114-CC	138	6	102	39	24	3900
5"	139,7	141,3 ^A	HLK-10SF-139-CC	169	7,1	127	49	29	7600
6"	168,3	168,3	HLK-10SF-168-CC	202	8	127	49	29	11200

A) Separate press
Fittings on request

All dimensions in millimeters, except specially marked
Errors and technical changes reserved

**Other dimensions
or materials on request**



© HAELOK AG,
all rights reserved

We reserve all rights in this document and its subject matter. The recipient hereby acknowledges these rights and document only for the purpose it was delivered. © HAELOK INC, Zurich

Haelok **Straight Repair**

for **C-Steel pipes** to

EN 10216-1 to -4 and EN 10305-1 to -4

Dimensions to EN 10220, rows 2 and 3



Pipe fitting materials:

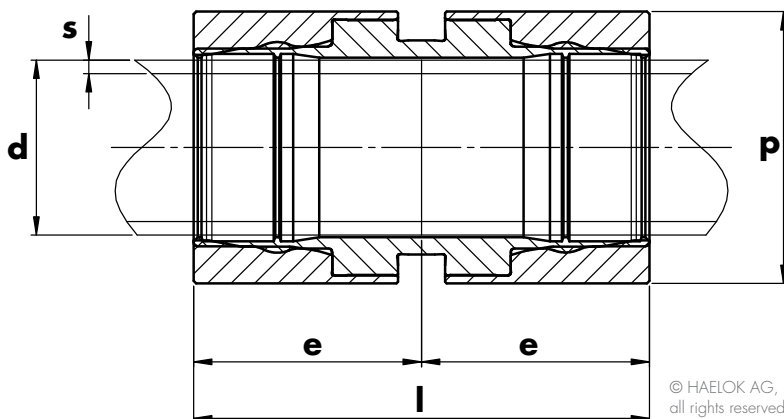
Carbon steel 1.0570 (AISI 1024), Carbon steel 1.0570 (AISI 1024)

Metric outside diameter

d	Code No.	p	s	l	e	Weight (g)
12	HLK-1OSR-12-CC	19	1,5	35	17,5	110
18	HLK-1OSR-18-CC	28	1,5	52	26	180
20	HLK-1OSR-20-CC	31	2	52	26	180
22	HLK-1OSR-22-CC	33,9	2	52	26	190
25	HLK-1OSR-25-CC	36,9	2,5	52	26	210
28	HLK-1OSR-28-CC	39,9	2,5	52	26	229
30	HLK-1OSR-30-CC	46,9	2,5	87	43,5	641
35	HLK-1OSR-35-CC	53,2	2,5	87	43,5	760
38	HLK-1OSR-38-CC	54,9	3	87	43,5	776
54	HLK-1OSR-54-CC	73,3	4	87	43,5	1300

All dimensions in millimeters, except specially marked
Errors and technical changes reserved

**Other dimensions
or materials on request**



© HAELOK AG,
all rights reserved

Haelok Straight Repair

for **C-Steel pipes** to

¹⁾ EN 10216-1 to -4 and EN 10305-1 and -4, Dimensions to EN 10220, row 1

and to

²⁾ ASTM A213/A269

Pipe fitting materials:

Body **Carbon steel 1.0570 (AISI 1024)**, Press ring **Carbon steel 1.0570 (AISI 1024)**
(body and press ring galvanized)



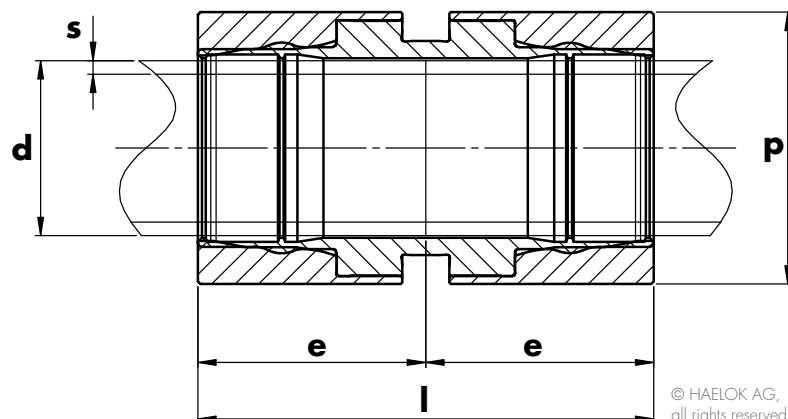
Inch outside diameter

d	OD ¹⁾	OD ²⁾	Code Nr.	p	s	l	e	z	Weight g)
¼"	13,5	13,72	HLK-10SR-13-CC	24	1,8	35	17	1	110
⅜"	17,2	17,15	HLK-10SR-17-CC	28	1,8	52	25	2	140
½"	21,3	21,34	HLK-10SR-21-CC	33	2	52	25	2	180
¾"	26,9	26,67	HLK-10SR-26-CC	38,9	2,3	52	25	2	223
1"	33,7	33,41	HLK-10SR-33-CC	51,9	2,6	87	42	3	770
1¼"	42,4	42,16	HLK-10SR-42-CC	60,9	2,6	87	42	3	941
1½"	48,3	48,26	HLK-10SR-48-CC	67,9	2,6	87	42	3	1108
2"	60,3	60,33	HLK-10SR-60-CC	81	2,9	87	42	3	1445
2½"	76,1	73,0 ^{A)}	HLK-10SR-76-CC	98	3,6	102	39	24	2400
3"	88,9	88,9	HLK-10SR-88-CC	111	4,8	102	39	24	2800
4"	114,3	114,3	HLK-10SR-114-CC	138	6	102	39	24	3900
5"	139,7	141,3 ^{A)}	HLK-10SR-139-CC	169	7,1	127	49	29	7600
6"	168,3	168,3	HLK-10SR-168-CC	202	8	127	49	29	11200

A) Separate press fittings on request

All dimensions in millimeters, except specially marked
Errors and technical changes reserved

**Other dimensions
or materials on request**



© HAELOK AG,
all rights reserved

Haelok Distributor 2 outlets

for **C-Steel pipes** to

EN 10216-1 to -4 and EN 10305-1 to -4

Dimensions to EN 10220, rows 2 and 3

Pipe fitting materials:

Body **Carbon steel 1.0570 (AISI 1024)**, Press ring **Carbon steel 1.0570 (AISI 1024)**
(body and press ring galvanized)



Metric outside diameter

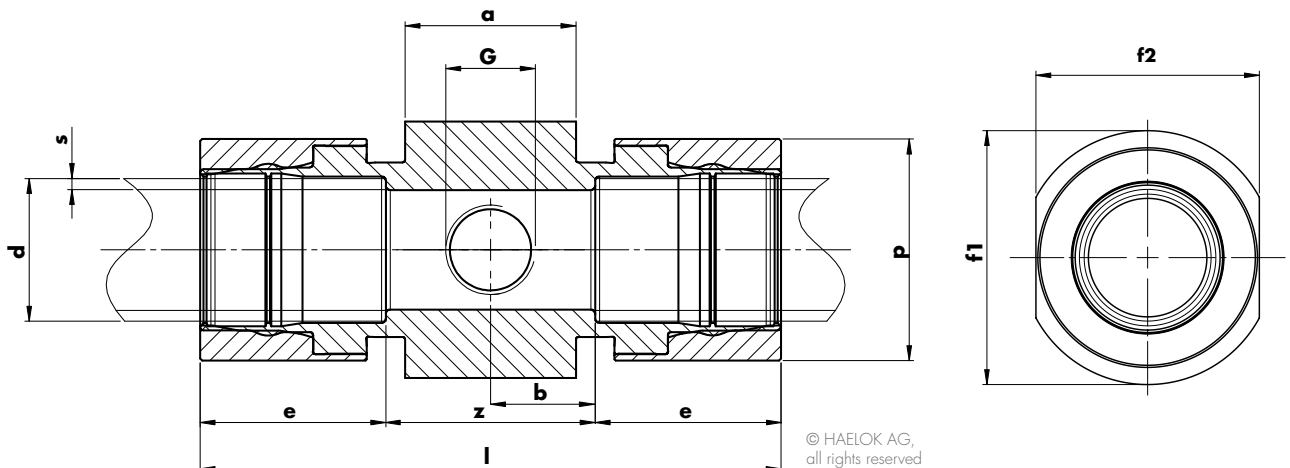
d	Code No.	p	s	l	e	a	b	f ₁	f ₂	G	z	Weight (g)
18	HLK-10D2-18-G38-CC	28	1,5	99	25	40	24,5	49,5	40,5	3/8"	49	660
20	HLK-10D2-20-G38-CC	31	2	99	25	40	24,5	49,5	40,5	3/8"	49	640
22	HLK-10D2-22-G12-CC	33,9	2	99	25	40	24,5	49,5	40,5	1/2"	49	624
25	HLK-10D2-25-G12-CC	36,9	2,5	99	25	40	24,5	49,5	40,5	1/2"	49	630
28	HLK-10D2-28-G12-CC	39,9	2,5	99	25	40	24,5	49,5	40,5	1/2"	49	609
30	HLK-10D2-30-G12-CC	46,9	2,5	136	43,5	40	24,5	54,5	46,5	1/2"	49	1153
35	HLK-10D2-35-G12-CC	53,2	2,5	136	43,5	40	24,5	60	52,8	1/2"	49	1395
38	HLK-10D2-38-G12-CC	54,9	3	136	43,5	40	24,5	60	52,8	1/2"	49	1398
54	HLK-10D2-54-G12-CC	73,3	4	136	43,5	40	24,5	89,5	84,8	1/2"	49	2300

All dimensions in millimeters, except specially marked
Errors and technical changes reserved

**Other dimensions
or materials on request**

Various threads available

All our distributors are normally fitted with G 1/2" threads, but are available with G 3/8" as well. Other dimension of threads are available on request.



© HAELOK AG,
all rights reserved

Haelok Distributor 2 outlets

for **C-Steel pipes** to

¹⁾ EN 10216-1 to -4 and EN 10305-1 and -4, Dimensions to EN 10220, row 1

and to

²⁾ ASTM A213/A269

Pipe fitting materials:

Body **Carbon steel 1.0570 (AISI 1024)**, Press ring **Carbon steel 1.0570 (AISI 1024)**
(body and press ring galvanized)



Inch outside diameter

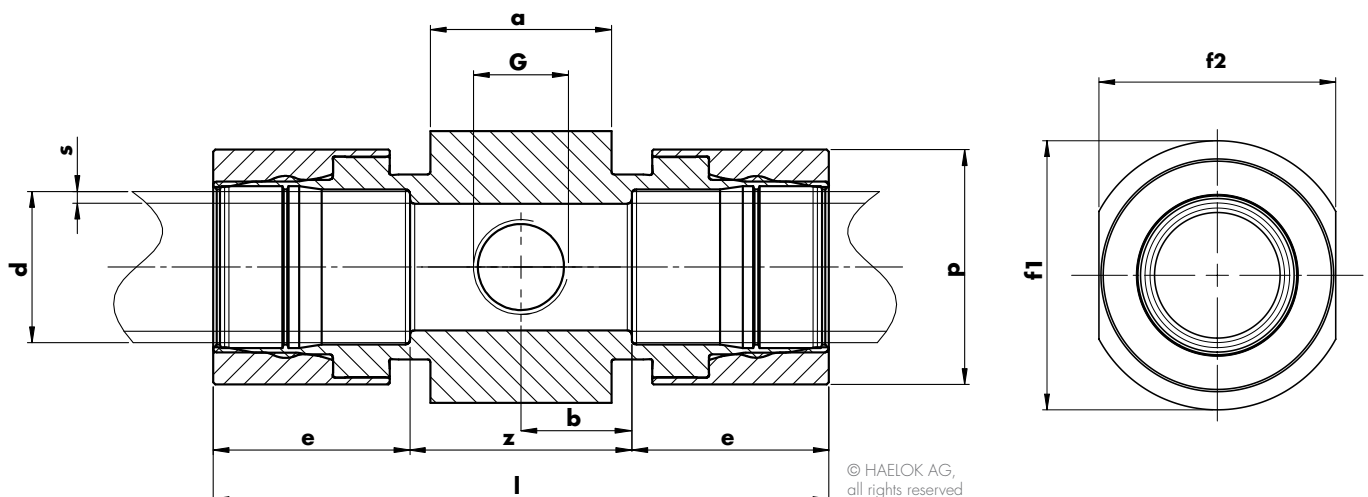
d	OD ¹	OD ²	Code No.	p	s	l	e	a	b	f ₁	f ₂	G	z	Weight g
3/8"	17,2	17,15	HLK-10D2-17-G38-CC	28	1,8	99	25	40	24,5	49,5	40,5	3/8"	49	680
1/2"	21,3	21,34	HLK-10D2-21-G38-CC	33	2	99	25	40	24,5	49,5	40,5	3/8"	49	630
3/4"	26,9	26,67	HLK-10D2-26-G12-CC	38,9	2,3	99	25	40	24,5	49,5	40,5	1/2"	49	612
1"	33,7	33,41	HLK-10D2-33-G12-CC	51,9	2,6	136	43,5	40	24,5	60	52,8	1/2"	49	1419
1 1/4"	42,4	42,16	HLK-10D2-42-G12-CC	60,9	2,6	136	43,5	40	24,5	64,5	57,9	1/2"	49	1583
1 1/2"	48,3	28,26	HLK-10D2-48-G12-CC	67,9	2,6	136	43,5	40	24,5	69,5	63,4	1/2"	49	1779
2"	60,3	60,25	HLK-10D2-60-G12-CC	81	2,9	136	43,5	40	24,5	89,5	84,8	1/2"	49	2683

All dimensions in millimeters, except specially marked
Errors and technical changes reserved

**Other dimensions
or materials on request**

Various threads types available

All our distributors are normally fitted with G 1/2" threads, but are available with G 3/8" as well. Other dimension of threads are available on request.



© HAELOK AG,
all rights reserved

Haelok Distributor 4 outlets

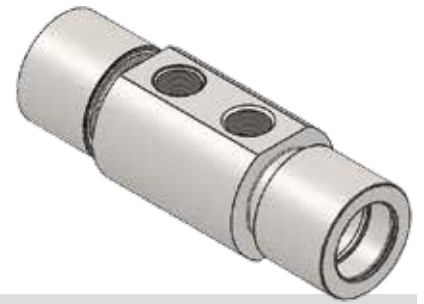
for **C-Steel pipes** to

EN 10216-1 to -4 and EN 10305-1 to -4

Dimensions to EN ISO 10220, rows 2 and 3

Pipe fitting materials:

Body **Carbon steel 1.0570 (AISI 1024)**, Press ring **Carbon steel 1.0570 (AISI 1024)**
(body and press ring galvanized)



Metric outside diameter

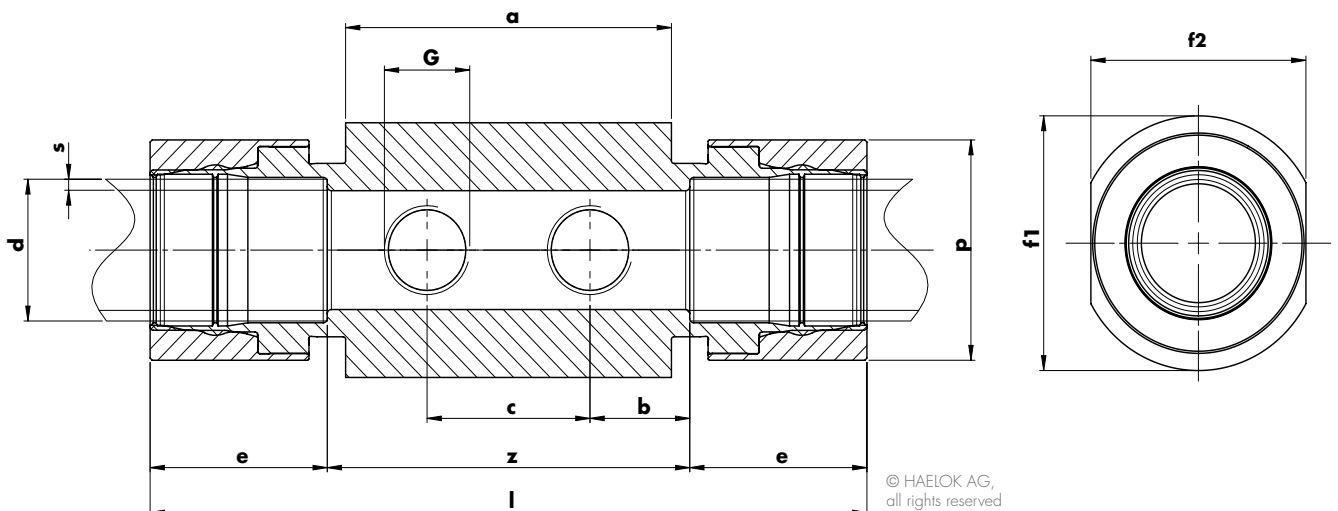
d	Code No.	p	s	l	e	a	b	c	f ₁	f ₂	G	z	Weight (g)
18	HLK-10D4-18-G38-CC	28	1,5	139	25	80	19,5	50	49,5	40,5	3/8"	89	1060
20	HLK-10D4-20-G38-CC	31	2	139	25	80	19,5	50	49,5	40,5	3/8"	89	1040
22	HLK-10D4-22-G12-CC	33,9	2	139	25	80	19,5	50	49,5	40,5	1/2"	89	1043
25	HLK-10D4-25-G12-CC	36,9	2,5	139	25	80	19,5	50	49,5	40,5	1/2"	89	1030
28	HLK-10D4-28-G12-CC	39,9	2,5	139	25	80	19,5	50	49,5	40,5	1/2"	89	971
30	HLK-10D4-30-G12-CC	46,9	2,5	176	43,5	80	19,5	50	54,5	46,5	1/2"	89	1628
35	HLK-10D4-35-G12-CC	53,2	2,5	176	43,5	80	19,5	50	60	52,8	1/2"	89	1960
38	HLK-10D4-38-G12-CC	54,9	3	176	43,5	80	19,5	50	60	52,8	1/2"	89	1963
54	HLK-10D4-54-G12-CC	73,3	4	176	43,5	80	19,5	50	89,5	84,8	1/2"	89	3849

All dimensions in millimeters, except specially marked
Errors and technical changes reserved

**Other dimensions
or materials on request**

Various threads types available

All our distributors are normally fitted with G 1/2" threads, but are available with G 3/8" as well. Other dimension of threads are available on request.



Haelok Distributor 4 outlets

for **C-Steel pipes** to

¹⁾ EN 10216-1 to -4 and EN 10305-1 and -4, Dimensions to EN 10220, row 1

and to

²⁾ ASTM A213/A269

Pipe fitting materials:

Body **Carbon steel 1.0570 (AISI 1024)**, Press ring **Carbon steel 1.0570 (AISI 1024)**
(body and press ring galvanized)



Inch outside diameter

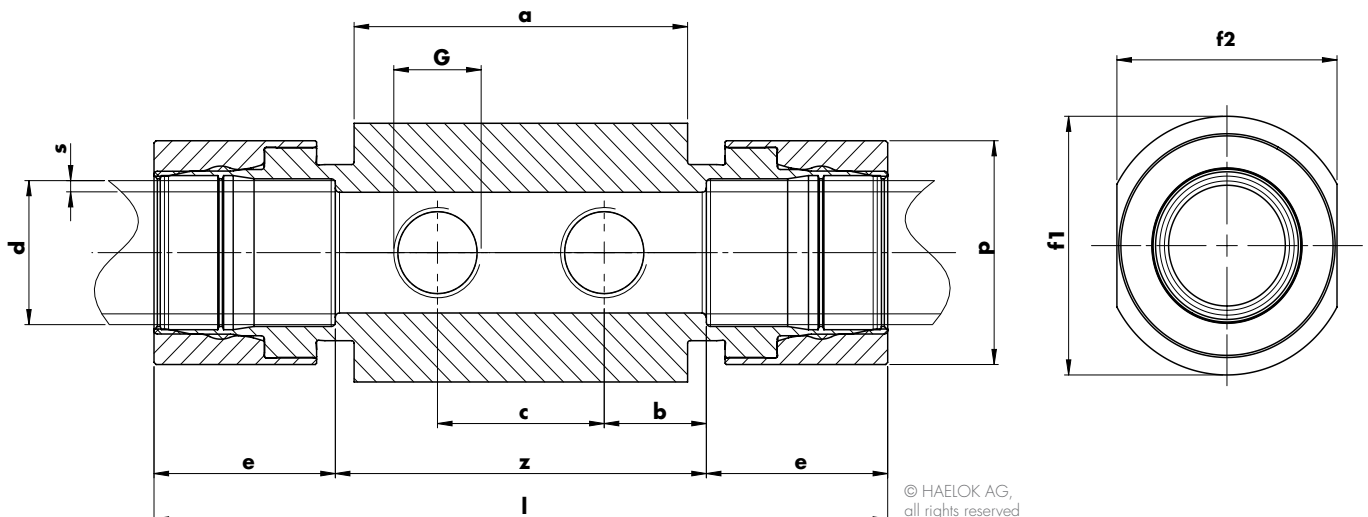
d	OD ¹⁾	OD ²⁾	Code No.	p	s	l	e	a	b	c	f ₁	f ₂	G	z	Weight (g)
3/8"	17,2	17,15	HLK-10D4-17-G38-CC	28	1,8	139	25	80	19,5	50	49,5	40,5	3/8"	89	1080
1/2"	21,3	21,34	HLK-10D4-21-G12-CC	33	2	139	25	80	19,5	50	49,5	40,5	1/2"	89	1040
3/4"	26,9	26,67	HLK-10D4-26-G12-CC	38,9	2,3	139	25	80	19,5	50	49,5	40,5	1/2"	89	984
1"	33,7	33,41	HLK-10D4-33-G12-CC	51,9	2,6	176	43,5	80	19,5	50	60	52,8	1/2"	89	2021
1 1/4"	42,4	42,26	HLK-10D4-42-G12-CC	60,9	2,6	176	43,5	80	19,5	50	64,5	57,9	1/2"	89	2176
1 1/2"	48,3	48,26	HLK-10D4-48-G12-CC	67,9	2,6	176	43,5	80	19,5	50	69,5	63,4	1/2"	89	2401
2"	60,3	60,33	HLK-10D4-60-G12-CC	81	2,9	176	43,5	80	19,5	50	89,5	84,8	1/2"	89	3849

All dimensions in millimeters, except specially marked
Errors and technical changes reserved

**Other dimensions
or materials on request**

Various threads types available

All our distributors are normally fitted with G 1/2" threads, but are available with G 3/8" as well. Other dimension of threads are available on request.



© HAELOK AG,
all rights reserved

Haelok Union Tee

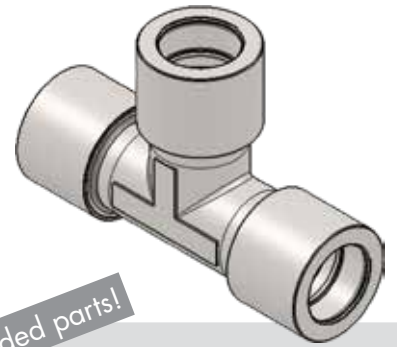
for **C-Steel pipes** to

EN 10216-1 to -4 and EN 10305-1 to -4

Dimensions to EN ISO 10220, rows 2 and 3

Pipe fitting materials:

Body **Carbon steel 1.0570 (AISI 1024)**, Press ring **Carbon steel 1.0570 (AISI 1024)**
(body and press ring galvanized)



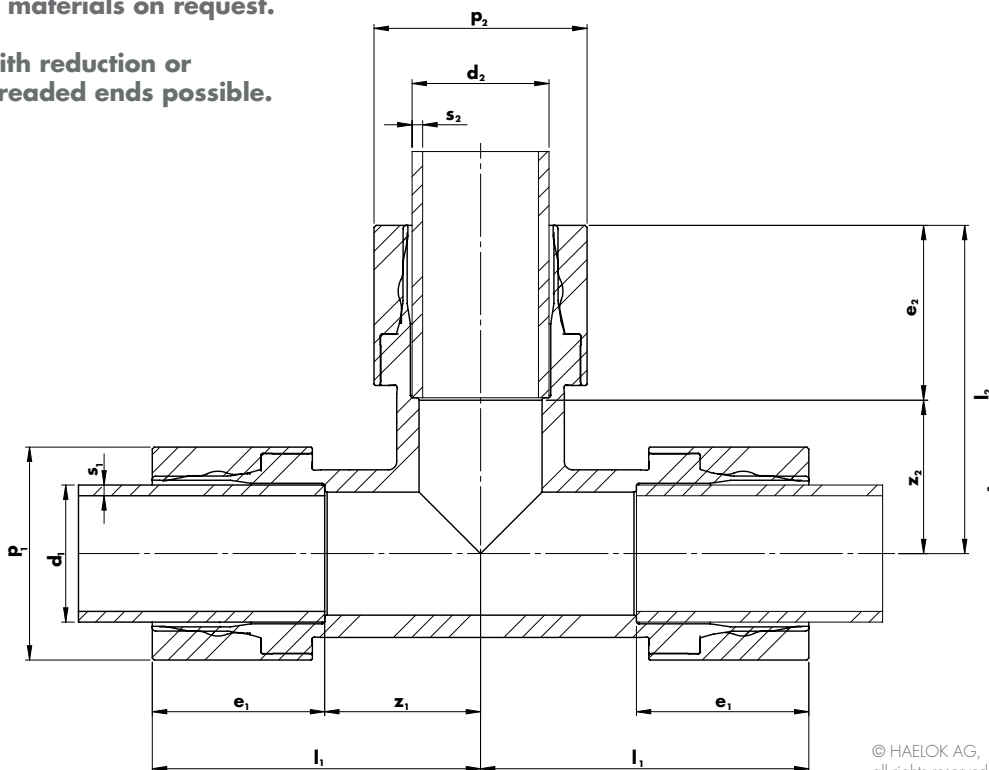
Metric outside diameter

d	Code No.	P ₁ , P ₂	s	l ₁ , l ₂	e ₁ , e ₂	z ₁ , z ₂	Weight (g)
12	HLK-10T3-12-CC	19,9	1,5	50	17	33	157
18	HLK-10T3-18-CC	29	1,5	60	25	35	364
20	HLK-10T3-20-CC	32	2	65	25	40	498
22	HLK-10T3-22-CC	33,9	2	65	25	40	485
25	HLK-10T3-25-CC	36,9	2,5	65	25	40	612
28	HLK-10T3-28-CC	39,9	2,5	65	25	40	555
30	HLK-10T3-30-CC	46,9	2,5	80	42	38	1316
35	HLK-10T3-35-CC	53,5	2,5	80	42	38	1702
38	HLK-10T3-38-CC	54,9	3	80	42	38	1606
54	HLK-10T3-54-CC	73,3	4	100	42	58	3364

All dimensions in millimeters, except specially marked
Errors and technical changes reserved

**Other dimensions
or materials on request.**

**With reduction or
threaded ends possible.**



© HAELOK AG,
all rights reserved

Haelok Union Tee

for **C-Steel pipes** to

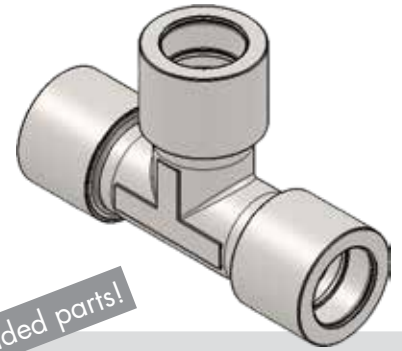
¹⁾ EN 10216-1 to -4 and EN 10305-1 and -4, Dimensions to EN 10220, row 1

and to

²⁾ ASTM A213/A269

Pipe fitting materials:

Body **Carbon steel 1.0570 (AISI 1024)**, Press ring **Carbon steel 1.0570 (AISI 1024)**
(body and press ring galvanized)



no welded parts!

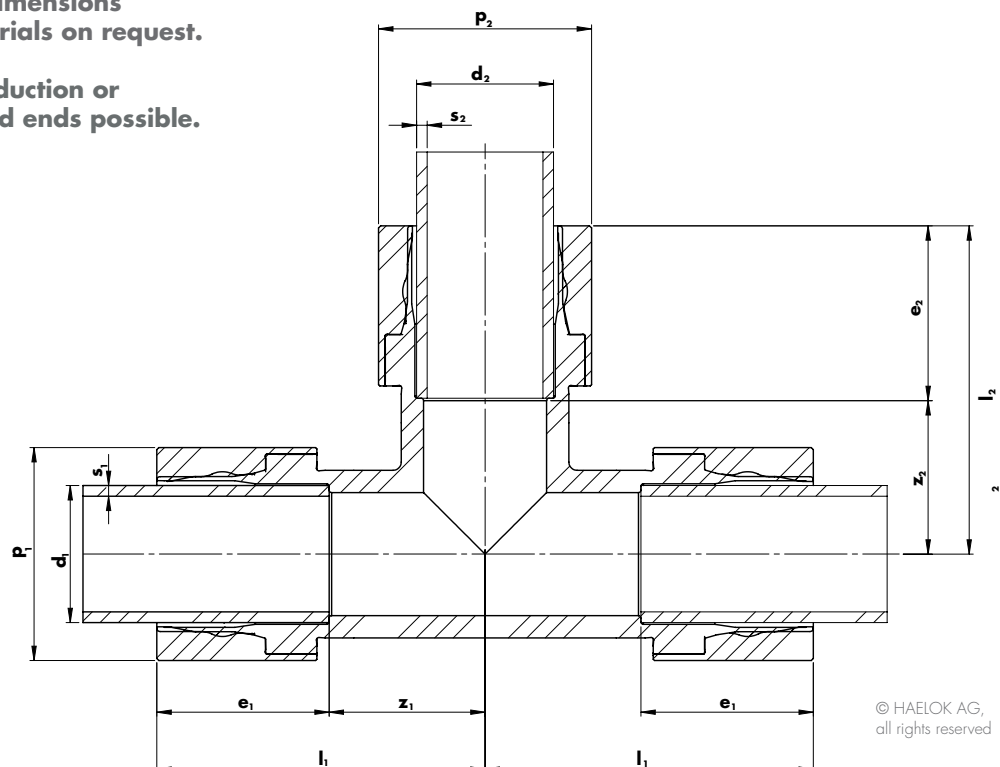
Inch outside diameter

d	OD ¹	OD ²	Code No.	p ₁ , p ₂	s	l ₁ , l ₂	e ₁ , e ₂	z ₁ , z ₂	Weight (g)
1/4"	13,5		HLK-10T3-13-CC	21,4	1,8	50	17	33	153
3/8"	17,2	17,15	HLK-10T3-17-CC	28,1	1,8	60	25	35	362
1/2"	21,3	21,34	HLK-10T3-21-CC	33,3	2	65	25	40	487
3/4"	26,9	26,67	HLK-10T3-26-CC	38,9	2,3	65	25	40	570
1"	33,7	33,41	HLK-10T3-33-CC	51,9	2,6	80	42	38	1586
1 1/4"	42,4	42,26	HLK-10T3-42-CC	60,9	2,6	95	42	53	2443
1 1/2"	48,3	48,26	HLK-10T3-48-CC	67,9	2,6	95	42	53	2435
2"	60,3	60,33	HLK-10T3-60-CC	81	2,9	100	42	58	3428

All dimensions in millimeters, except specially marked
Errors and technical changes reserved

**Other dimensions
or materials on request.**

**With reduction or
threaded ends possible.**



© HAELOK AG,
all rights reserved

Haelok Endcap

for **C-Steel pipes** to

EN 10216-1 to -4 and EN 10305-1 to -4

Dimensions to EN ISO 10220, rows 2 and 3

Pipe fitting materials:

Body **Carbon steel 1.0570 (AISI 1024)**, Press ring **Carbon steel 1.0570 (AISI 1024)**
(body and press ring galvanized)

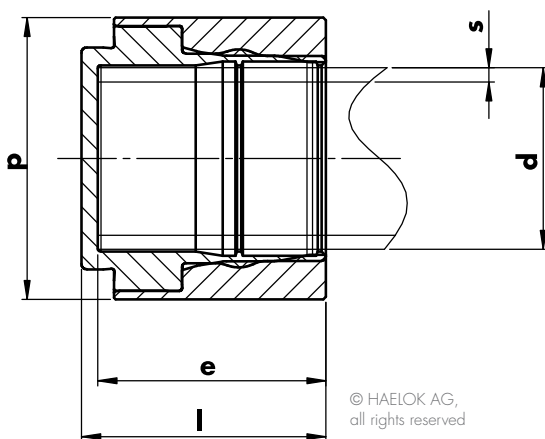


Metric outside diameter

d	Code No.	p	s	l	e	Weight (g)
12	HLK-10EC-12-CC	19	1,5	20	17	55
18	HLK-10EC-18-CC	28	1,5	28	25	80
20	HLK-10EC-20-CC	31	2	28	25	80
22	HLK-10ECF-22-CC	33,9	2	28	25	105
25	HLK-10EC-25-CC	36,9	2,5	28	25	115
28	HLK-10EC-28-CC	39,9	2,5	28	25	131
30	HLK-10EC-30-CC	46,9	2,5	45	42	340
35	HLK-10EC-35-CC	53,2	2,5	45	42	410
38	HLK-10EC-38-CC	54,9	3	45	42	419
54	HLK-10EC-54-CC	73,3	4	45	42	720

All dimensions in millimeters, except specially marked
Errors and technical changes reserved

**Other dimensions
or materials on request**



© HAELOK AG,
all rights reserved

Haelok Endcap

for **C-Steel pipes** to

¹⁾EN 10216-1 to -4 and EN 10305-1 and -4, Dimensions to EN 10220, row 1

and to

²⁾ASTM A213/A269

Pipe fitting materials:

Body **Carbon steel 1.0570 (AISI 1024)**, Press ring **Carbon steel 1.0570 (AISI 1024)**
(body and press ring galvanized)



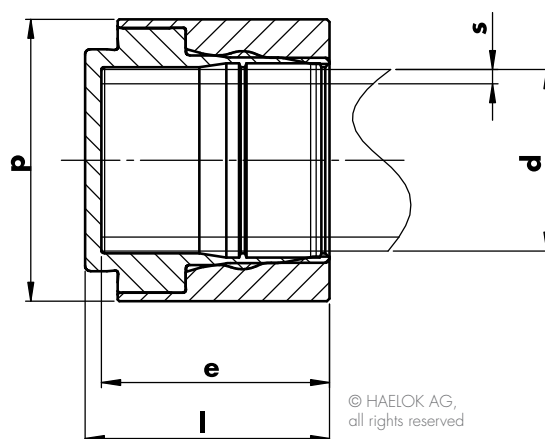
Inch outside diameter

d	OD ¹	OD ²	Code No.	p	s	l	e	Weight (g)
1/4"	13,5	13,72	HLK-10EC-13-CC	24	1,8	20	17	55
3/8"	17,2	17,15	HLK-10EC-17-CC	28	1,8	28	25	70
1/2"	21,3	21,34	HLK-10EC-21-CC	33	2	28	25	95
3/4"	26,9	26,67	HLK-10EC-26-CC	38,9	2,3	28	25	126
1"	33,7	33,41	HLK-10EC-33-CC	51,9	2,6	45	42	411
1 1/4"	42,4	42,16	HLK-10EC-42-CC	60,9	2,6	45	42	508
1 1/2"	48,3	48,26	HLK-10EC-48-CC	67,9	2,6	45	42	620
2"	60,3	60,33	HLK-10EC-60-CC	81	2,9	45	42	792
2 1/2"	76,1	73,0 ^A	HLK-10EC-76-CC	98	3,7	44	39	1200
3"	88,9	88,9	HLK-10EC-88-CC	111	4,9	44	39	1400
4"	114,3	114,3	HLK-10EC-114-CC	138	6	44	39	2000
5"	139,7	141,3 ^A	HLK-10EC-139-CC	169	7,1	54	49	3500
6"	168,3	168,3	HLK-10EC-168-CC	202	8	54	49	6000

A) Separate press
Fittings on request

All dimensions in millimeters, except specially marked
Errors and technical changes reserved

**Other dimensions
or materials on request**



© HAELOK AG,
all rights reserved

Haelok **Straight Thread Internal**

for **C-Steel pipes** to

EN 10216-1 to -4 and EN 10305-1 to -4

Dimensions to EN ISO 10220, rows 2 and 3

Pipe fitting materials:

Body **Carbon steel 1.0570 (AISI 1024)**, Press ring **Carbon steel 1.0570 (AISI 1024)**
(body and press ring galvanized)



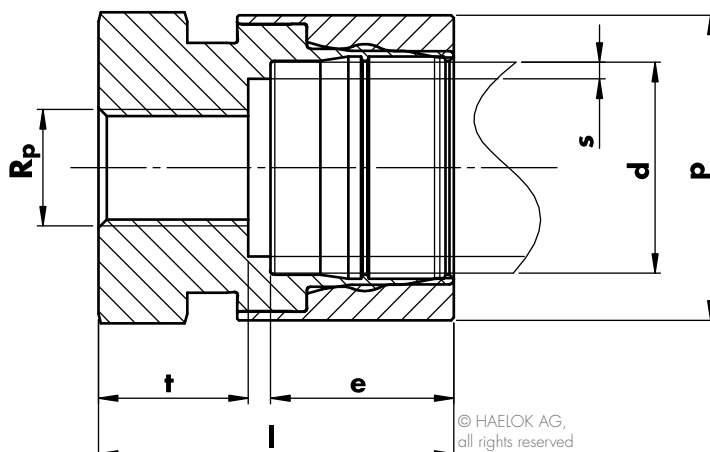
Metric outside diameter

d	Code No.	p	s	l	e	t	R _p	SW	Weight (g)
12	HLK-10TI-12-G14-CC	24	1.5	33	17	13	¼"	22	80
18	HLK-10TI-18-G38-CC	28	1,5	42	25	14	⅜"	27	120
20	HLK-10TI-20-G12-CC	31	2	46	25	18	½"	32	150
22	HLK-10TI-22-G12-CC	33,9	2	46	25	18	½"	32	160
25	HLK-10TI-25-G34-CC	36,9	2,5	48	25	20	¾"	41	170
28	HLK-10TI-28-G34-CC	39,9	2,5	48	25	20	¾"	41	200
30	HLK-10TI-30-G34-CC	46,9	2,5	65	42	20	¾"	41	400
35	HLK-10TI-35-G1-CC	53,2	2,5	67	42	22	1"	50	600
38	HLK-10TI-38-G1-CC	54,9	3,0	67	42	22	1"	50	600
54	HLK-10TI-54-G2-CC	73,3	4,0	70	42	22	2"	72	1070

All dimensions in millimeters, except specially marked
Errors and technical changes reserved

**Other dimensions
or materials on request**

Various threads types available



© HAELOK AG,
all rights reserved

Haelok Straight Thread Internal

for **C-Steel pipes** to

¹⁾EN 10216-1 to -4 and EN 10305-1 and -4, Dimensions to EN 10220, row 1

and to

²⁾ASTM A213/A269

Pipe fitting materials:

Body **Carbon steel 1.0570 (AISI 1024)**, Press ring **Carbon steel 1.0570 (AISI 1024)**
(body and press ring galvanized)



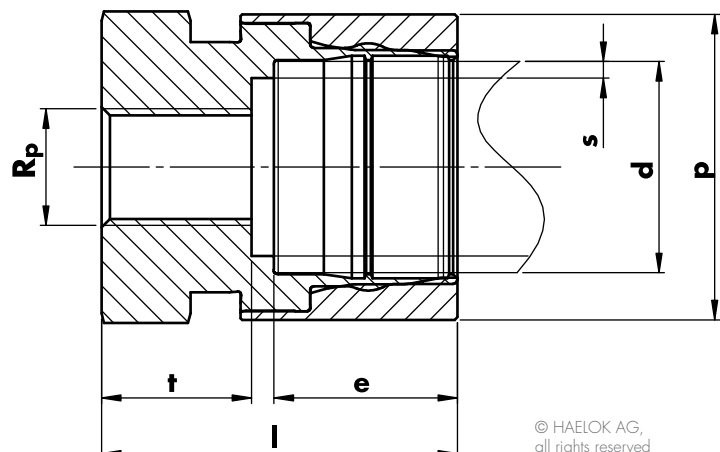
Inch outside diameter

d	OD ¹	OD ²	Code No.	p	s	l	e	t	R _p	SW	Weight (g)
¼"	13,5	13,72	HLK-10TI-13-G14-CC	24	1,8	20	17	10	¼"	22	100
⅜"	17,2	17,15	HLK-10TI-17-G38-CC	28	1,8	28	25	10	⅜"	27	120
½"	21,3	21,34	HLK-10TI-21-G12-CC	33	2	39,5	25	18	½"	32	150
¾"	26,9	26,67	HLK-10TI-26-G34-CC	38,9	2,3	44,5	25	15	¾"	36	190
1"	33,7	33,41	HLK-10TI-33-G1-CC	51,9	2,6	66	42	17	1"	46	520
1¼"	42,4	42,16	HLK-10TI-42-G114-CC	60,9	2,6	67,5	42	19	1¼"	55	700
1½"	48,3	48,26	HLK-10TI-48-G112-CC	67,9	2,6	70	42	21	1½"	60	830
2"	60,3	60,33	HLK-10TI-60-G2-CC	81	2,9	73	42	24	2"	75	1070

All dimensions in millimeters, except specially marked
Errors and technical changes reserved

**Other dimensions
or materials on request**

Various threads types available



© HAELOK AG,
all rights reserved

Haelok **Straight Thread External**

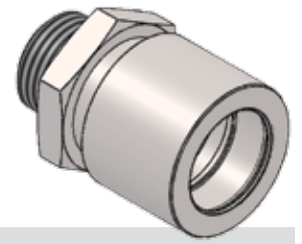
for **C-Steel pipes** to

EN 10216-1 to -4 and EN 10305-1 to -4

Dimensions to EN ISO 10220, rows 2 and 3

Pipe fitting materials:

Body **Carbon steel 1.0570 (AISI 1024)**, Press ring **Carbon steel 1.0570 (AISI 1024)**
(body and press ring galvanized)



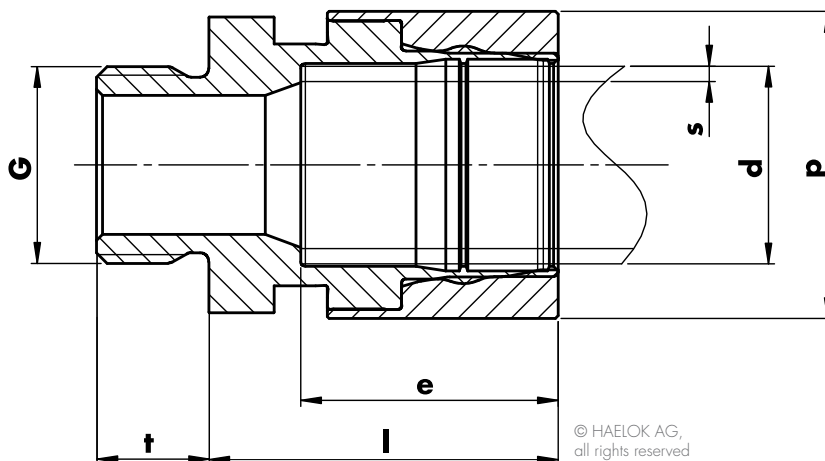
Metric outside diameter

d	Code No.	p	s	l	e	t	G	SW	Weight (g)
12	HLK-10TE-12-G14-CC	24	1,5	20	17	9	1/4"	22	80
18	HLK-10TE-18-G38-CC	28	1,5	28	25	12	3/8"	27	120
20	HLK-10TE-20-G12-CC	31	2	28	25	16	1/2"	32	150
22	HLK-10TE-22-G12-CC	33,9	2	28	25	16	1/2"	32	150
25	HLK-10TE-25-G34-CC	36,9	2,5	28	25	17	3/4"	41	170
28	HLK-10TE-28-G34-CC	39,9	2,5	28	25	17	3/4"	41	200
30	HLK-10TE-30-G34-CC	46,9	2,5	45	42	17	3/4"	41	400
35	HLK-10TE-35-G1-CC	53,2	2,5	45	42	19	1"	50	600
38	HLK-10TE-38-G1-CC	54,9	3,0	45	42	22	1"	50	650
54	HLK-10TE-54-G2-CC	73,3	4,0	45	42	24	2"	72	950

All dimensions in millimeters, except specially marked
Errors and technical changes reserved

**Other dimensions
or materials on request**

Various threads types available



© HAELOK AG,
all rights reserved

Haelok Straight Thread External

for **C-Steel pipes** to

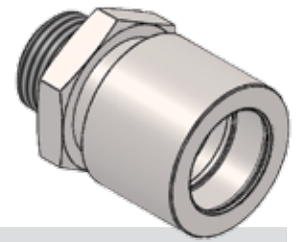
¹⁾ EN 10216-1 to -4 and EN 10305-1 and -4, Dimensions to EN 10220, row 1

and to

²⁾ ASTM A213/A269

Pipe fitting materials:

Body **Carbon steel 1.0570 (AISI 1024)**, Press ring **Carbon steel 1.0570 (AISI 1024)**
(body and press ring galvanized)



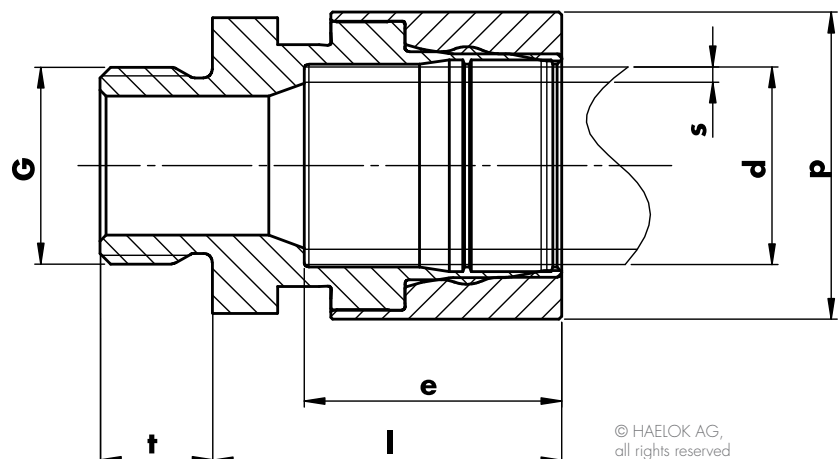
Inch outside diameter

d	OD ¹	OD ²	Code No.	p	s	l	e	t	G	SW	Weight (g)
1/4"	13,5	13,72	HLK-10TE-13-G14-CC	24	1,8	25	17	9	1/4"	22	100
3/8"	17,2	17,15	HLK-10TE-17-G38-CC	28	1,8	25	25	12	3/8"	27	120
1/2"	21,3	21,26	HLK-10TE-21-G12-CC	33	2	25	25	16	1/2"	32	150
3/4"	26,9	26,67	HLK-10TE-26-G34-CC	38,9	2,3	39	25	17	3/4"	36	190
1"	33,7	33,41	HLK-10TE-33-G1-CC	51,9	2,6	59	42	17	1"	46	520
1 1/4"	42,4	42,16	HLK-10TE-42-G114-CC	60,9	2,6	59	42	20	1 1/4"	55	700
1 1/2"	48,3	48,26	HLK-10TE-48-G112-CC	67,9	2,6	59	42	20	1 1/2"	60	830
2"	60,3	60,33	HLK-10TE-60-G2-CC	81	2,9	62	42	22	2"	75	1070

All dimensions in millimeters, except specially marked
Errors and technical changes reserved

**Other dimensions
or materials on request**

Various threads types available



© HAELOK AG,
all rights reserved

Haelok Elbow 90°

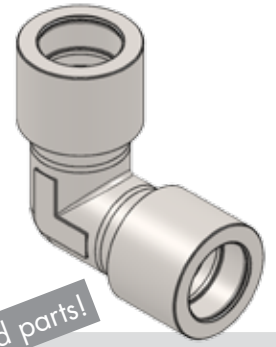
for **C-Steel pipes** to

EN 10216-1 to -4 and EN 10305-1 to -4

Dimensions to EN ISO 10220, rows 2 and 3

Pipe fitting materials:

Body **Carbon steel 1.0570 (AISI 1024)**, Press ring **Carbon steel 1.0570 (AISI 1024)**
(body and press ring galvanized)



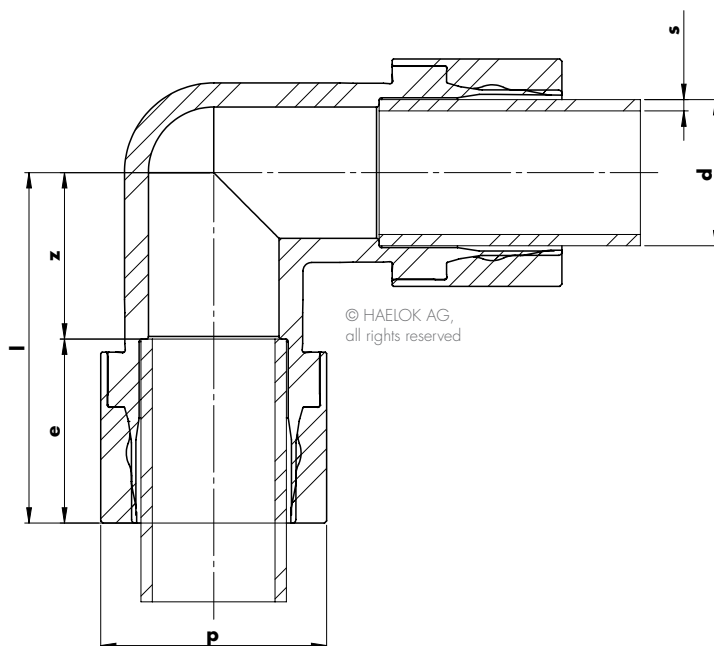
no welded parts!

Metric outside diameter

d	Code No.	p	s	l	e	z	Weight (g)
12	HLK-10L90-12-CC	19,9	1,5	50	17	33	114
18	HLK-10L90-18-CC	29	1,5	60	25	35	273
20	HLK-10L90-20-CC	32	2	65	25	40	380
22	HLK-10L90-22-CC	33,9	2	65	25	40	365
25	HLK-10L90-25-CC	36,9	2,5	65	25	40	480
28	HLK-10L90-28-CC	39,9	2,5	65	25	40	424
30	HLK-10L90-30-CC	46,9	2,5	80	42	38	982

All dimensions in millimeters, except specially marked
Errors and technical changes reserved

**Other dimensions
or materials on request**



Haelok Elbow 90°

for **C-Steel pipes** to

¹⁾ EN 10216-1 to -4 and EN 10305-1 and -4, Dimensions to EN 10220, row 1

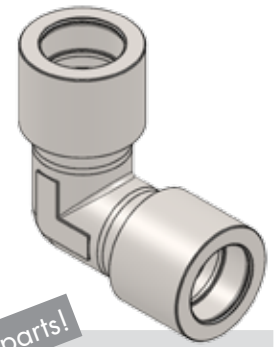
and to

²⁾ ASTM A213/A269

Pipe fitting materials:

Body **Carbon steel 1.0570 (AISI 1024)**, Press ring **Carbon steel 1.0570 (AISI 1024)**

(body and press ring galvanized)



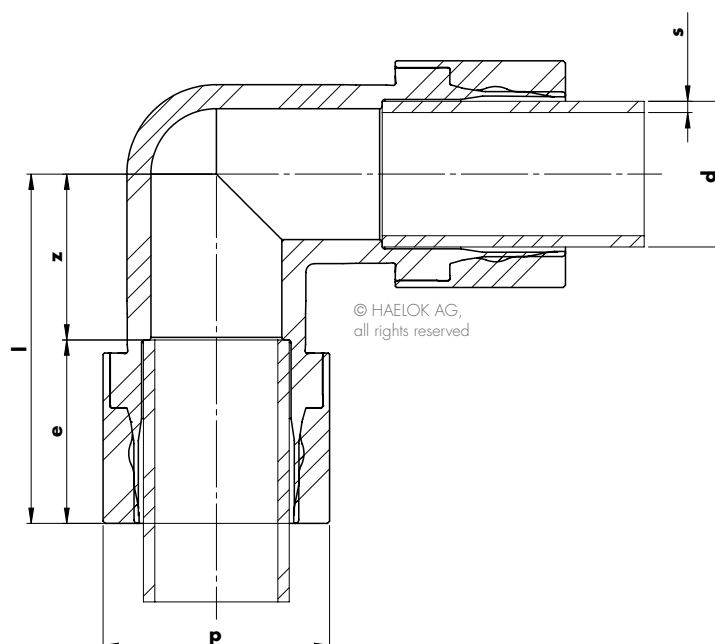
no welded parts!

Inch outside diameter

d	OD ¹	OD ²	Code No.	p	s	l	e	z	Weight (g)
1/4"	13,5		HLK-10L90-13-XC	21,4	1,8	50	17	33	109
3/8"	17,2	17,15	HLK-10L90-17-XC	28,1	1,8	60	25	35	273
1/2"	21,3	21,34	HLK-10L90-21-XC	33,3	2	65	25	40	368
3/4"	26,9	26,67	HLK-10L90-26-XC	38,9	2,3	65	25	40	437
1"	33,7	33,41	HLK-10L90-33-XC	51,9	2,6	80	42	39	1124

All dimensions in millimeters, except specially marked
Errors and technical changes reserved

Other dimensions
or materials on request



Haelok Bended pipe 90°

C-steel pipes to

EN 10216 -1 to -4 and EN 10305 -1 to -4

Dimension to EN 10220, rows 2 and 3 with tolerances D3/T3

Pipe materials:

Body Carbon steel 1.0570 (AISI 1024)

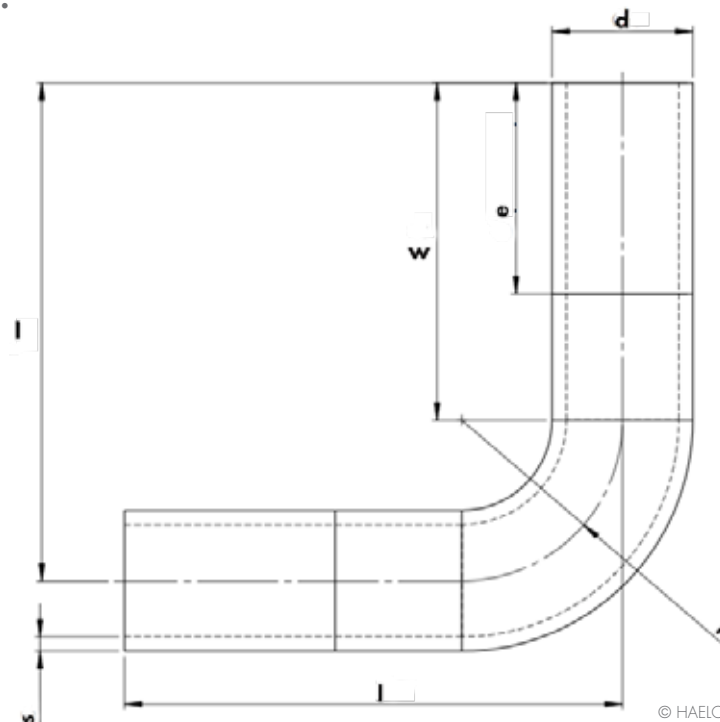


Metric outside diameter

d	Code No.	r	s	e	w	l	Weight (g)
35	HLK-10BP90-35-C	70	3	42	100	170	2400
38	HLK-10BP90-38-C	70	3	42	100	170	2630
54	HLK-10BP90-54-C	100	3,2	42	100	185	3830

All dimensions in millimeters, except specially marked
Errors and technical changes reserved

For 90° shapes Haelok offers bended pipes in connection with our straight fittings. The connection is done with two straight fittings. On request and on minimum quantities Haelok supplies one-piece, hot forged bends. Please contact your customer service representative for further information.



© HAELOK AG,
all rights reserved

Haelok Bended pipe 90°

C-steel pipes to

EN 10216 -1 to -4 and EN 10305 -1 to -4

Dimension to EN 10220, row 1 with tolerances D3/T3

Pipe materials:

Body Carbon steel 1.0570 (AISI 1024)

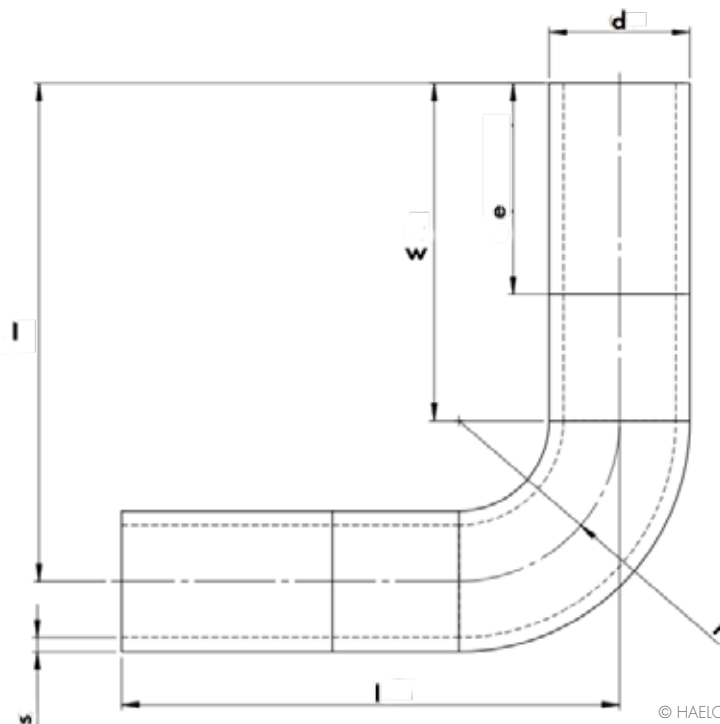


Inch outside diameter

d 1)	Code No.	r	s	e	w	l	Weight (g)
1¼" (42,4)	HLK-10BP90-42-C	85	3,2	42	100	185	3140
1½" (48,3)	HLK-10BP90-48-C	100	3,2	42	100	200	3610
2" (60,3)	HLK-10BP90-60-C	120	3,6	42	100	220	5110

All dimensions in millimeters, except specially marked
Errors and technical changes reserved

For 90° shapes Haelok offers bended pipes in connection with our straight fittings. The connection is done with two straight fittings. On request and on minimum quantities Haelok supplies one-piece, hot forged bends. Please contact your customer service representative for further information.



© HAELOK AG,
all rights reserved

Haelok Reducer

for **C-Steel pipes** to

EN 10216-1 to -4 and EN 10305-1 to -4

Dimensions to EN ISO 10220, rows 2 and 3

Pipe fitting materials:

Body **Carbon steel 1.0570 (AISI 1024)**, Press ring **Carbon steel 1.0570 (AISI 1024)**
(body and press ring galvanized)

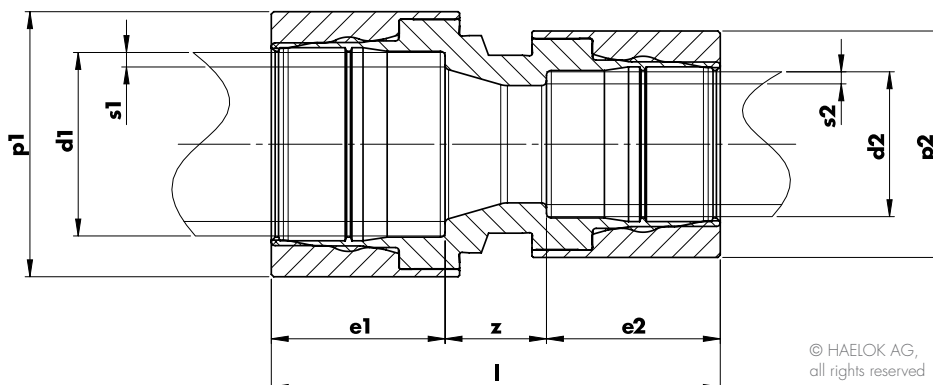


Metric outside diameter

d1	d2	Code No.	p ₁	s ₁	e ₁	d ₂	p ₂	s ₂	e ₂	l	z	Weight (g)
18	12	HLK-10RE-18-12-CC	28	1,5	25	12,1	19	1,5	17	45	3	180
22	12	HLK-10RE-22-12-CC	33,9	2	25	12,1	19	1,5	25	55	5	190
22	18	HLK-10RE-22-18-CC	33,9	2	25	18,1	28	1,5	17	45	3	190
22	20	HLK-10RE-22-20-CC	36,9	2,5	25	20,2	31	2	25	55	5	210
28	22	HLK-10RE-28-22-CC	39,9	2,5	25	22,3	33,9	2	25	55	5	229
30	25	HLK-10RE-30-25-CC	46,9	2,5	42	25,3	36,9	2,5	25	75	8	641
35	28	HLK-10RE-35-28-CC	53,2	2,5	42	28,3	39,9	2,5	25	75	8	760
35	22	HLK-10RE-35-22-CC	53,2	2,5	42	22,3	33,9	2	25	75	8	760
38	30	HLK-10RE-38-30-CC	54,9	3	42	30,5	46,9	2,5	42	100	16	776
38	28	HLK-10RE-38-28-CC	54,9	3	42	28,3	39,9	2,5	25	75	8	776
54	42	HLK-10RE-54-42-CC	73,3	4	42	42,9	60,9	2,6	42	100	16	1300
54	35	HLK-10RE-54-35-CC	73,3	4	42	35,5	53,2	2,5	42	100	16	1300
54	28	HLK-10RE-54-28-CC	73,3	4	42	28,3	39,9	2,5	25	75	8	1300
54	22	HLK-10RE-54-22-CC	73,3	4	42	22,3	33,9	2	25	75	8	1300

All dimensions in millimeters, except specially marked
Errors and technical changes reserved

**Other dimensions
or materials on request**



© HAELOK AG,
all rights reserved

Haelok Reducer

for **C-Steel pipes** to

¹⁾ EN 10216-1 to -4 and EN 10305-1 and -4, Dimensions to EN 10220, row 1

and to

²⁾ ASTM A213/A269

Pipe fitting materials:

Body **Carbon steel 1.0570 (AISI 1024)**, Press ring **Carbon steel 1.0570 (AISI 1024)**
(body and press ring galvanized)

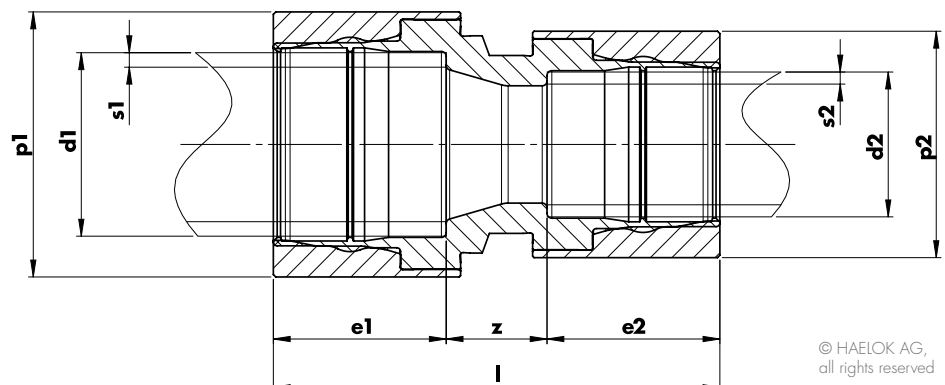


Inch outside diameter

d	OD ¹	OD ²	d2	Code No.	p ₁	s ₁	e ₁	p ₂	s ₂	e _d	l	z	Weight (g)
3/8"	17,2	17,15	1/4"	HLK-10RE-17-13-CC	28	1,8	25	24	1,8	17	45	3	140
1/2"	21,3	21,34	3/8"	HLK-10RE-21-17-CC	33	2	25	28	1,8	25	55	5	180
1/2"	21,3	21,34	1/4"	HLK-10RE-21-13-CC	33	2	25	24	1,8	17	45	3	180
3/4"	26,9	26,67	1/2"	HLK-10RE-26-21-CC	38,9	2,3	25	33	2	25	55	5	222
1"	33,7	33,41	28	HLK-10RE-33-28-CC	51,9	2,6	42	39,9	2,5	25	75	8	770
1"	33,7	33,41	3/4"	HLK-10RE-33-26-CC	51,9	2,6	42	38,9	2,3	25	75	8	770
1"	33,7	33,41	22	HLK-10RE-33-22-CC	51,9	2,6	42	33,9	2	25	75	8	770
1"	33,7	33,41	1/2"	HLK-10RE-33-21-CC	51,9	2,6	42	33	2	25	75	8	770
1"	33,7	33,41	18	HLK-10RE-33-18-CC	51,9	2,6	42	28	1,5	25	75	8	770
1 1/4"	42,4	42,16	1"	HLK-10RE-42-33-CC	60,9	2,6	42	51,9	2,6	42	100	16	941
1 1/4"	42,4	42,16	3/4"	HLK-10RE-42-26-CC	60,9	2,6	42	38,9	2,3	25	75	8	941
1 1/4"	42,4	42,16	22	HLK-10RE-42-22-CC	60,9	2,6	42	33,9	2	25	75	8	941
1 1/4"	42,4	42,16	1/2"	HLK-10RE-42-21-CC	60,9	2,6	42	33	2	25	75	8	941
1 1/2"	48,3	48,26	1 1/4"	HLK-10RE-48-42-CC	67,9	2,6	42	60,9	2,6	42	100	16	1108
1 1/2"	48,3	48,26	1"	HLK-10RE-48-33-CC	67,9	2,6	42	51,9	2,6	42	100	16	1108
1 1/2"	48,3	48,26	30	HLK-10RE-48-30-CC	67,9	2,6	42	46,9	2,5	42	100	16	1108
1 1/2"	48,3	48,26	28	HLK-10RE-48-28-CC	67,9	2,6	42	39,9	2,5	25	75	8	1108
1 1/2"	48,3	48,26	3/4"	HLK-10RE-48-26-CC	67,9	2,6	42	38,9	2,3	25	75	8	1108
2"	60,3	60,33	1 1/2"	HLK-10RE-60-48-CC	81	2,9	42	67,9	2,6	42	100	16	1444
2"	60,3	60,33	1 1/4"	HLK-10RE-60-42-CC	81	2,9	42	60,9	2,6	42	100	16	1444
2"	60,3	60,33	1"	HLK-10RE-60-33-CC	81	2,9	42	51,9	2,6	42	100	16	1444

**Other dimensions
or materials on request**

All dimensions in millimeters, except specially marked
Errors and technical changes reserved



© HAELOK AG,
all rights reserved



Haelok PT press tools and accessories

The ease of usage and the various functionalities combined with safety at work are important elements of the Haelok installation system.

Our optimized design of the small tooling reduces the installation space to a minimum – so you can perform installations in very narrow spaces but with consistent quality and safety. Our high precision tools comply with the CE standards and ensure safe, durable and tight connections.

Haelok achieves its optimum functionality when operating as a system (fitting, press tool, hydraulic unit) because all components are always perfectly matched to each other.

tools and parts
for Haelok press fittings

The Haelok Press Tools a complete system

The Haelok press tools:

The press tools required for permanently tight connections are part of the system. The range extends from electrohydraulic to battery systems and handpumps driven press tools for fast work progress. Our innovative technology allows very short connection time from 5 seconds for smaller dimensions up to 35 seconds for larger couplings.

The Haelok press tools technology allows a higher pressing speed and provides economic efficiency to your installation. The Haelok System is the outstanding alternative to welding but as well as to flanges and cutting-ring connections.



The Haelok press tools, named PT1, PT2, PT3, ..., PTn, feature a hard anodised housing for ultimate durability and compact closing mechanism that will be almost maintenance-free.

By changing the inlays, within seconds we allow users to adapt the press tools to all diameters, ensuring sealing of Haelok couplings from 12mm to 168,3mm.



**The Haelok
press tools
PT1, PT2, PT3.**

The Haelok hydraulic units:

The press tool power is provided by an industrial, proven hydraulic unit fitted in a special case for optimal transport and protection on the construction site. The standard model is a remote-controlled electric unit (230/110V).

The robust unit works in low wear and the sophisticated remote control guarantees an automated process. In this way faulty pressing is completely avoided.

Additional battery-driven HPU's are available to extend the range in confined environments.

For the use in high hazardous areas we recommend a hand pump. It fulfills the international safety requirements completely.



The new transport cases, ruggedized and safe for every user.

Cases

Tested thousandfold, state of the art hydraulic packs

Hydraulic unit



Haelok Press Tools PT1, PT2, PT3

for Haelok Press Fittings.

the powerfull presstool guaranteeing short installation times



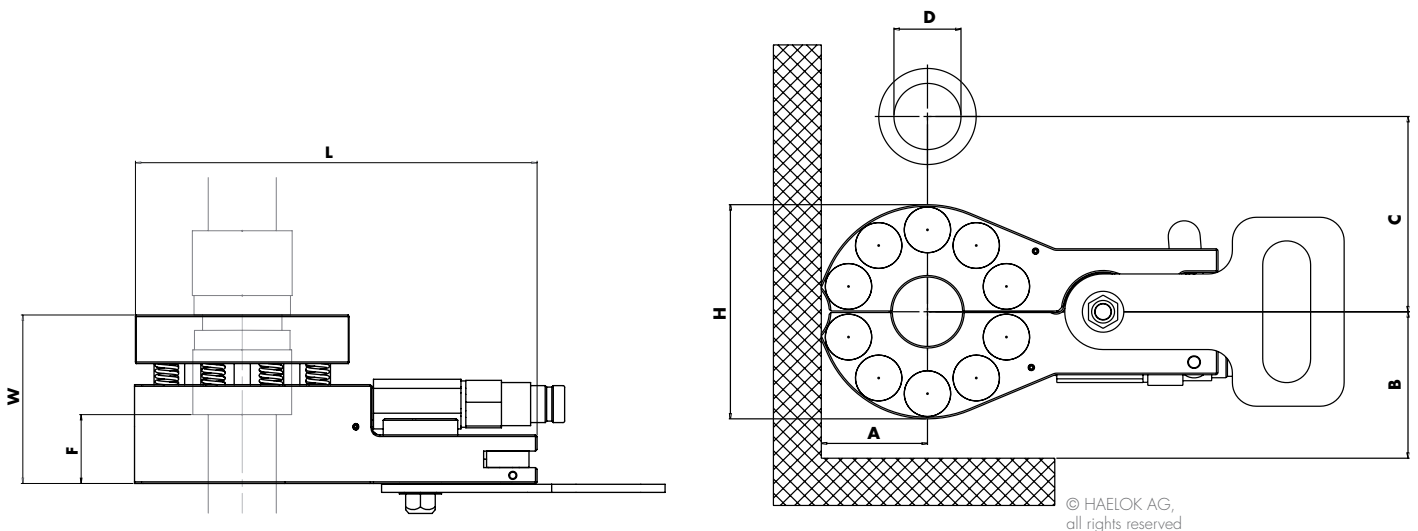
Body in **hard anodised aluminium**, Press ring in **stainless steel**

Outside dimension

Typ	Code No.	D Pipe diameter	A	B	C	F	L	W	H	Weight (g)	Press time (∅, sec)
PT 1	HLK-6OPT-PT1-01	8	50	70	60	51	181	92	100	3600	5
		28	50	70	84	46					10
PT 2	HLK-6OPT-PT2-01	30	67	100	114	42	250	104	135	6800	12
		42	67	100	124						15
PT 3	HLK-6OPT-PT3-01	45	80	110	140	42	272	104	155	8000	16
		60	80	110	150						20

All dimensions in millimeters, except specially marked
Errors and technical changes reserved

The Press tools come in a rugged transport case – various inlays, according to the pipes in use, make the tool very flexible. The inlays can be ordered separately.



© HAELOK AG,
all rights reserved

Haelok **Inlays** for PT1, PT2, PT3

for Haelok press tools

Following table shows the possible inlay combination to be used with the Haelok press tools PT1, PT2 and PT3.



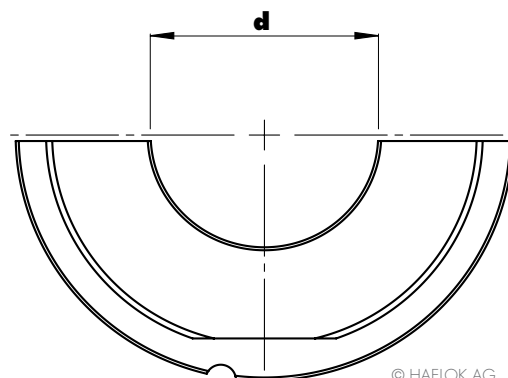
Inlays for Press tools

Tool	Code No.	Inlay-Set (d)	suitable for \varnothing of Fitting outside Diameter
PT1	HLK-6OPT-PI-12-01	12	12
PT1	HLK-6OPT-PI-14-01	14	13,5
PT1	HLK-6OPT-PI-18-01	18	17,2
PT1	HLK-6OPT-PI-18-01	18	18
PT1	HLK-6OPT-PI-20-01	20	20
PT1	HLK-6OPT-PI-22-01	22	21,3
PT1	HLK-6OPT-PI-22-01	22	22
PT1	HLK-6OPT-PI-25-01	25	25
PT1	HLK-6OPT-PI-28-01	28	28
PT2	HLK-6OPT-PI-30-01	30	30
PT2	HLK-6OPT-PI-34-01	34	34
PT2	HLK-6OPT-PI-35-01	35	35
PT2	HLK-6OPT-PI-38-01	38	38
PT2	HLK-6OPT-PI-42-01	42	42,4
PT3	HLK-6OPT-PI-48-01	48	48,3
PT3	HLK-6OPT-PI-54-01	54	54
PT3	HLK-6OPT-PI-60-01	60	60,3

All dimensions in millimeters, except specially marked
Errors and technical changes reserved

Easy Installation!
The inlays are placed inside the presstool easily and without the need of a special installation tool.

Press tools are delivered with the according Inlay sets.
An Inlay Set consists of 4 inserts, two for the upper and two for the lower part of the tool.



© HAELOK AG,
all rights reserved

Haelok transport case for PT1, PT2, PT3
for Haelok press tools



Transport cases for the press tools

PressTool	Code No.	for Inlay Set	Length	width	depth	weight (g)
PT1	HLK-60HS-PI-01	12, 14, 18, 20, 22, 25, 28	480	340	200	1400
PT2	HLK-60HS-P2-01	30, 34, 35, 38, 42	480	340	200	1400
PT3	HLK-60HS-P3-01	48, 54, 60	480	340	200	1400
	HLK-60HS-PTG-01	shoulder strap for transport-case				

All dimensions in millimeters, except specially marked
Errors and technical changes reserved



transport case for PT 1



transport case for PT 2



transport case for PT 3

The ultimate transport case for tools, inlays and accessories.

Haelok Hydraulic units and accessories

for Haelok Press tools

Power unit can be used with any press tool
(PT1, PT2, PT3)



Hydraulic units and accessories

Typ	Code No.	Informationen	Weight (g)	L/W/H
AC-powered hydraulic unit	HLK-60PC-230V-EN	mains connection 230V/50Hz, oil volume 1900cm ³ working pressure 400bar	11800	250 250 380
Battery driven hydraulic unit	HLK-60PC-024V-01	direct current 24V DC oil volume min 600 cm ³ working pressure 400bar	9600	210 340 190
Manually driven hydraulic unit	HLK-60PC-HAND-01		5000	580 150 60
Hydraulic hose 3m	HLK-60PH-H03-01	maximal pressure 700bar		Length 3m
Hydraulic hose 6m	HLK-60PH-H06-01	maximal pressure 700bar		Length 6m
Hydraulic clutch	HLK-60CP-PA-01	maximal pressure 700bar		

All dimensions in millimeters, except specially marked
Errors and technical changes reserved



AC powered
Hydraulic unit



Battery driven
Hydraulic unit



Manual
Hydraulic unit

The Haelok System Installation and Handling of the Haelok press tool

Installation guide:

The Haelok press tool provides quick, easy and accurate pressing result, that are always reproducible.

With the Haelok system you have much lower installation times at constant high quality and you generate lower costs when compared to any conventional joining techniques. Plus you are not reliant on the skills of the installer – the fitting can be installed even by unskilled workers. You get a perfect connection in minutes.



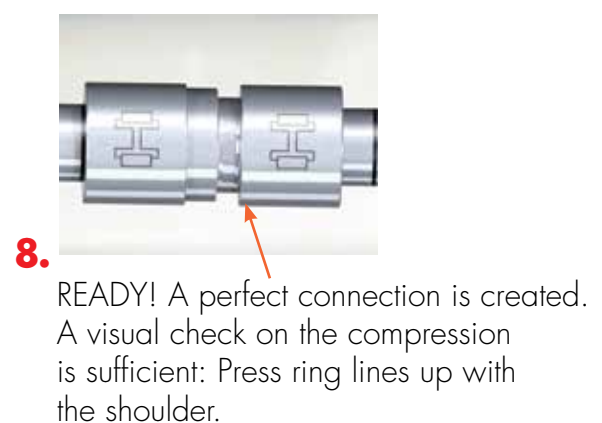
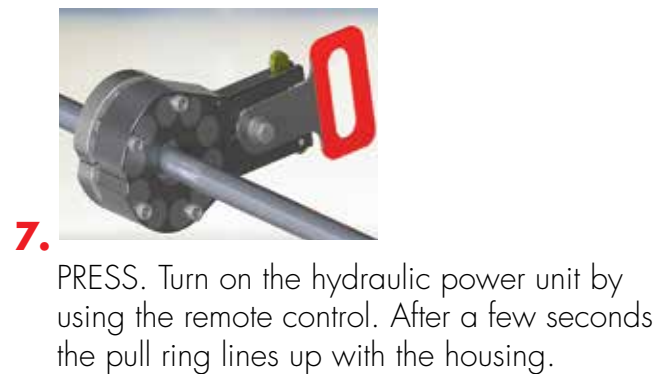
1.

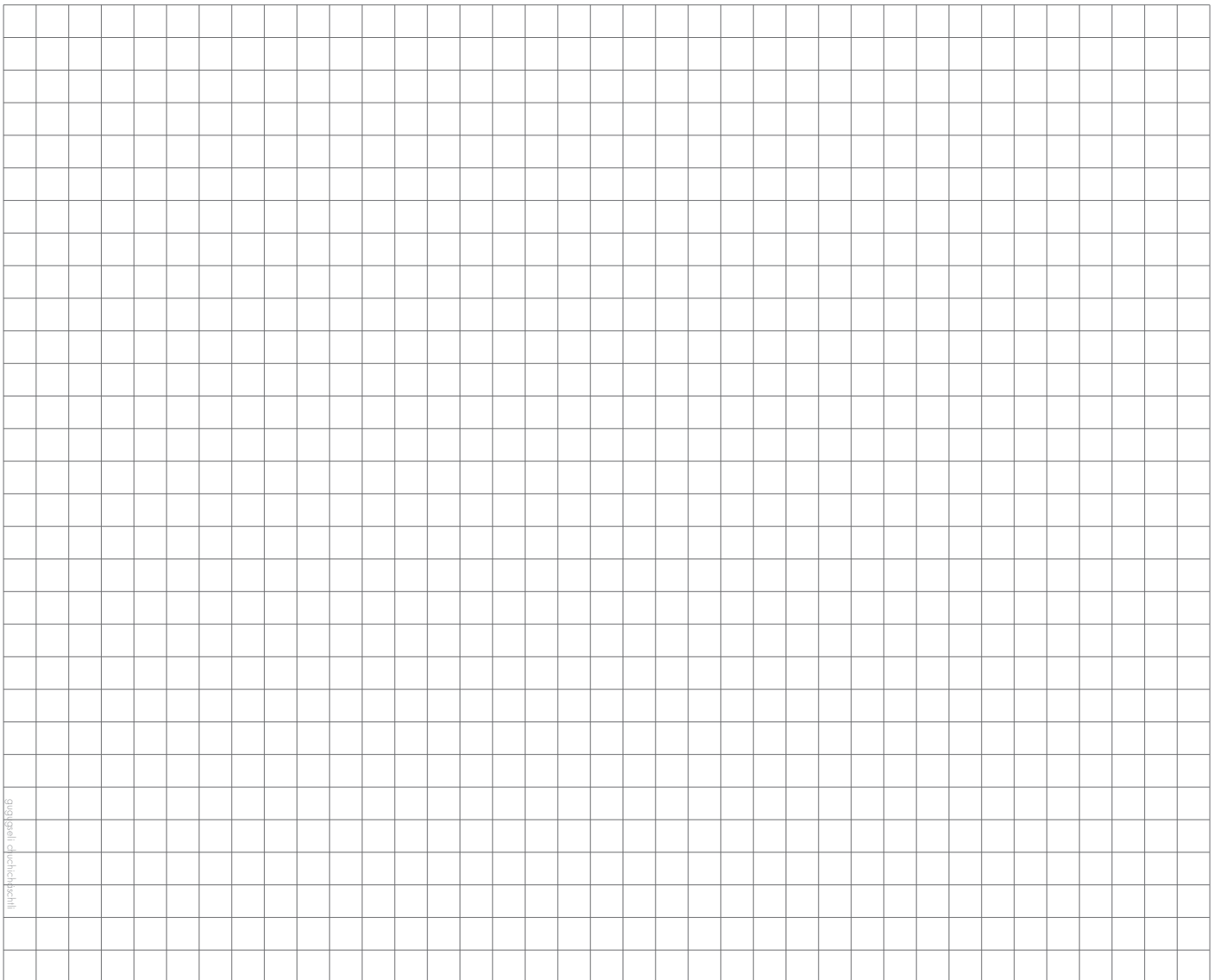
CUT. Cut the pipe perpendicular.



2.

DEBURR. Clean the cut pipe inside and outside.







your partner: